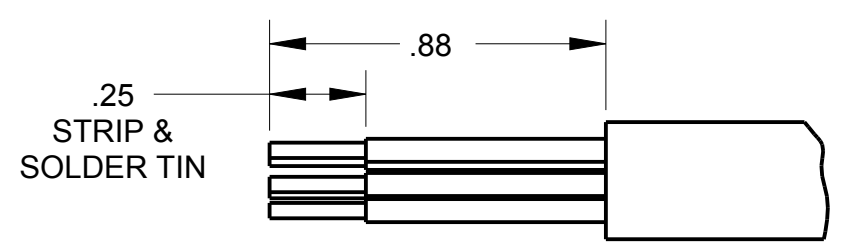
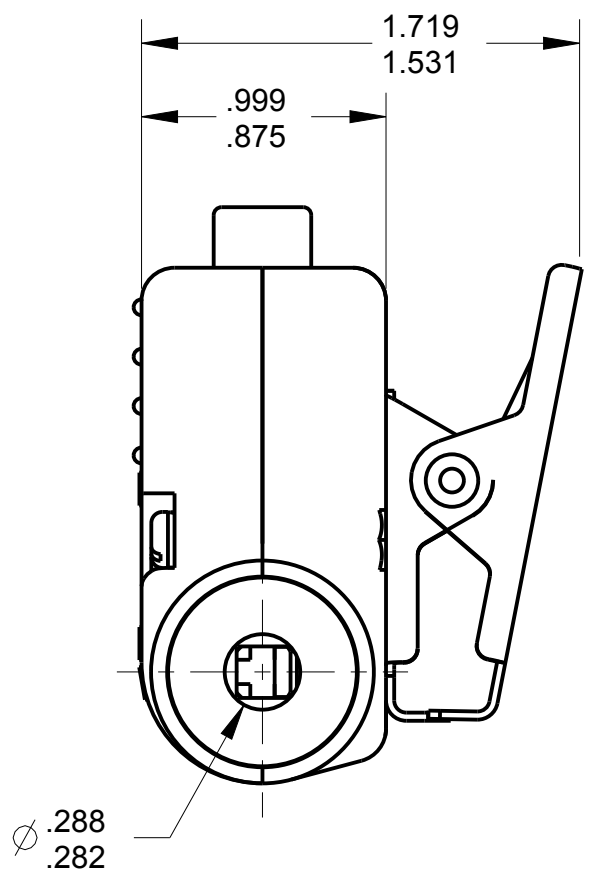
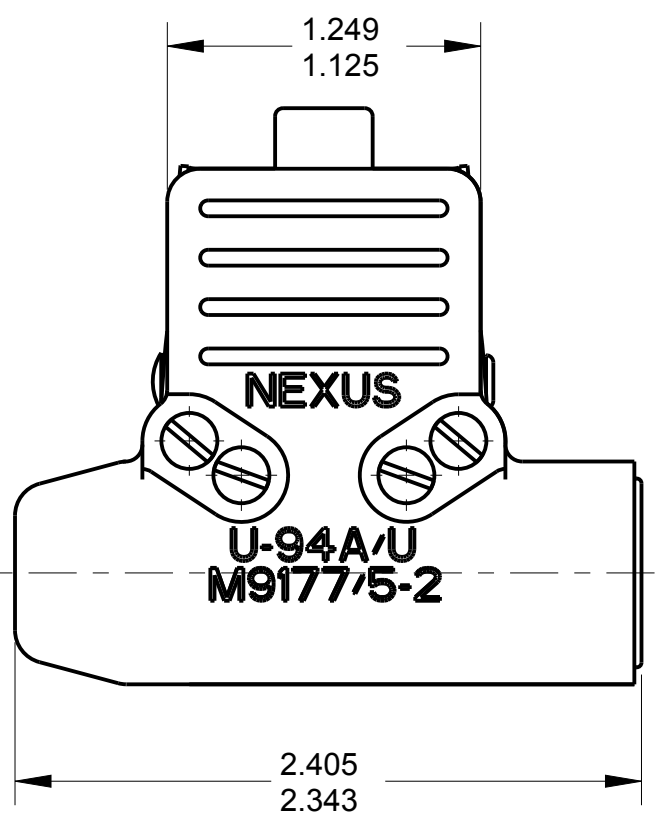
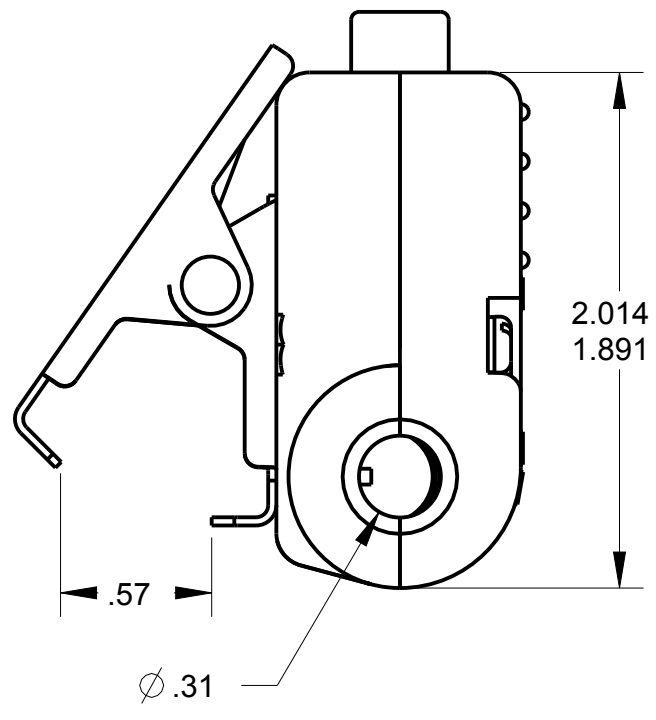
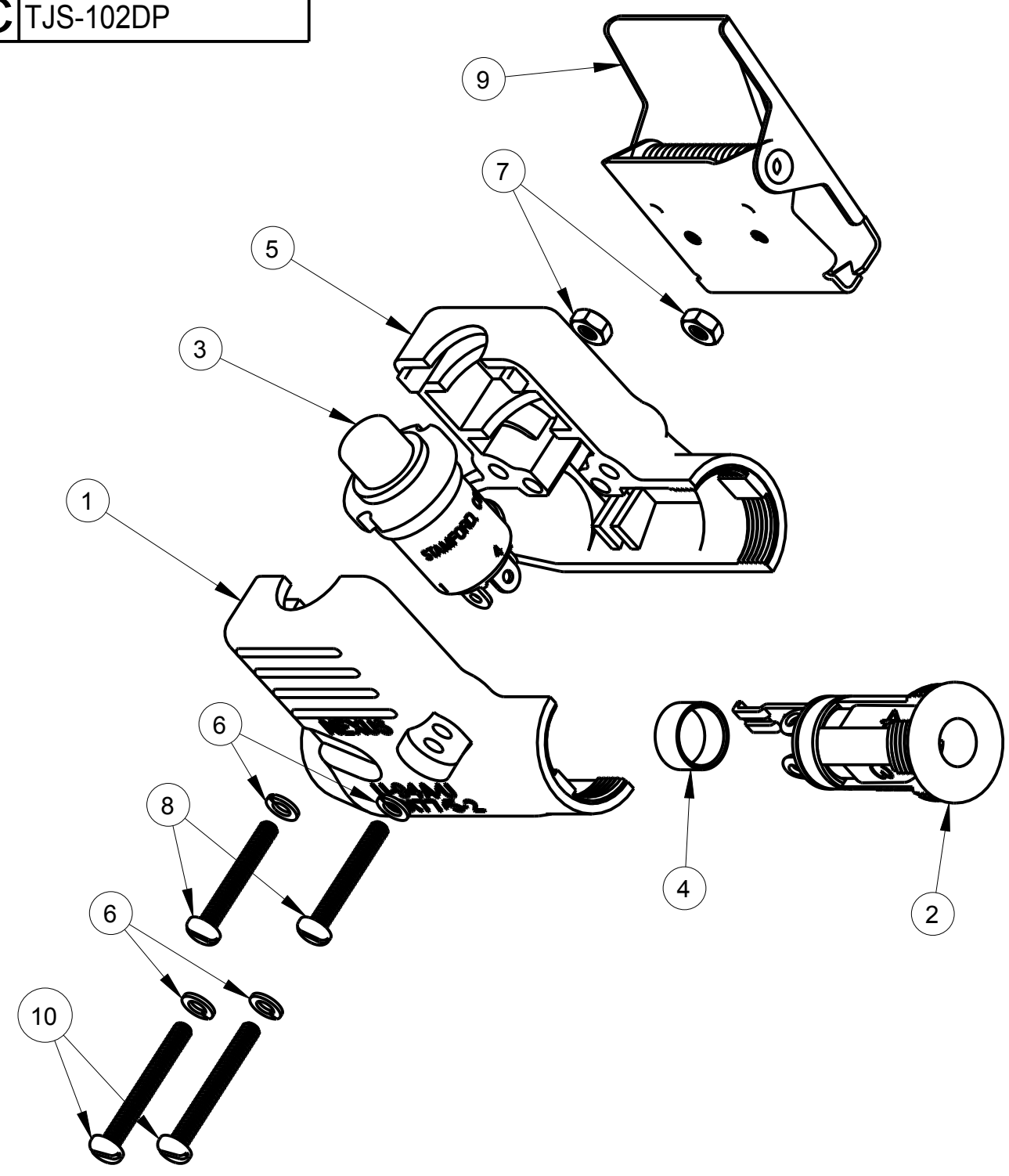


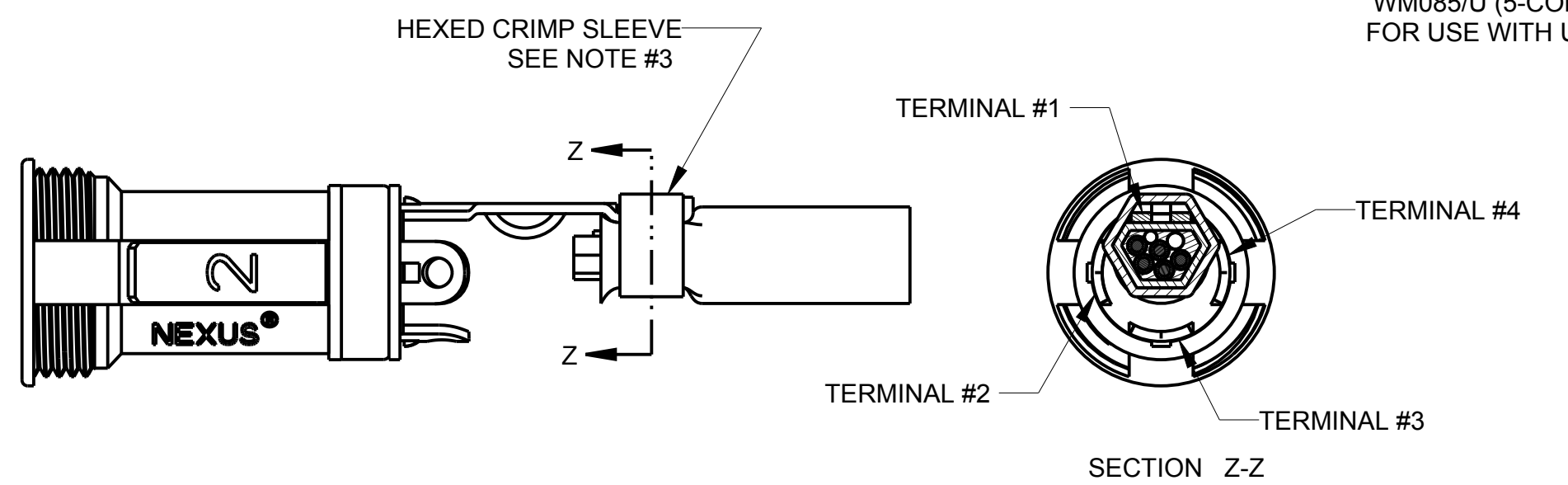
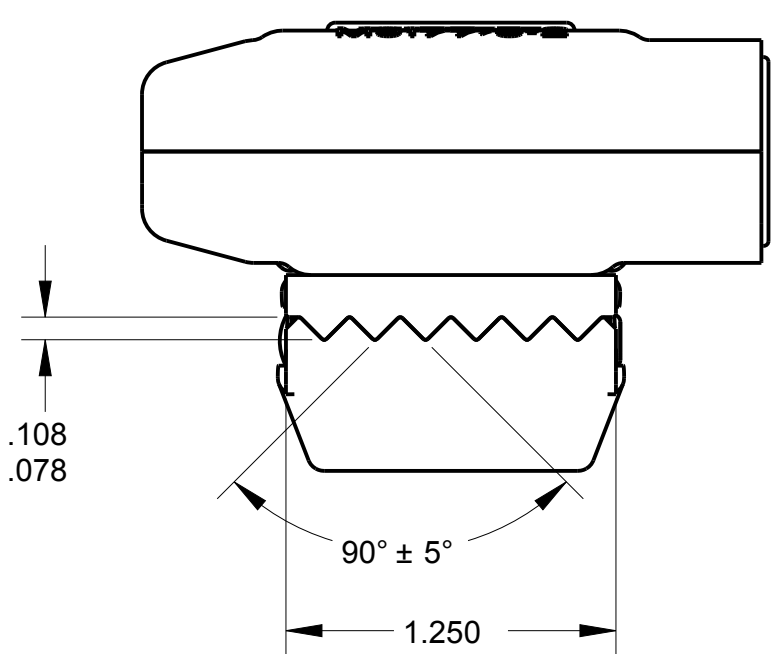
ITEM #	PART #	QTY	DESCRIPTION
1	TJS-102-1	1	SHELL HALF, RIBBED
2	TJS-102-3	1	JACK ASSEMBLY
3	NX307BB1B	1	SWITCH MOMENTARY (DPST-NO)
4	TP-102-20	1	CRIMP, SLEEVE ( $\phi$ .39 X .20)
5	TJS-102-2	1	SHELL, HALF - SMOOTH
6	TJ-106-13	4	#4 WASHER, LOCK
7	TJ-106-14	2	NUT, #4-40 SPECIAL
8	TJS-102-15	2	SCREW
9	TJS-104-3A	1	CLIP ASSEMBLY
10	TJS-102-11	2	SCREW

NOTES:  
 1) EACHPART SHALL BE MARKED WITH U-94A/U & M9177/5-2  
 2) PART SHALL BE ON QUALIFIED PRODUCT LIST FOR MIL-C-9177/5A  
 3) CRIMPING TOOLS USE M22520/S-01 HAND TOOL W/CRIMP DIE M22520/5-29, M22520/5-3S OR M22520/5-5S  
 4) MATING CONNECTORS M9177/1-1, & M9177/2-1

C TJS-102DP



RECOMMENDED CABLE:  
 WM085/U (5-COND)  
 FOR USE WITH U-94A/U



THIS DOCUMENT CONTAINS PROPRIETARY INFORMATION OF NEXUS, INCORPORATED AND SUCH INFORMATION MAY NOT BE DISCLOSED TO OTHERS FOR ANY PURPOSE OR USED FOR ANY PURPOSE WITHOUT THE WRITTEN CONSENT OF NEXUS.

DWN.BY IDH		DATE 7/15/85		MATERIAL	
CHECKED BY RWF		DATE 7/16/85		FINISH	
APPR.BY		DATE		WEIGHT	
UNLESS OTHERWISE SPECIFIED DIMENSIONS ARE IN INCHES & OR (mm)				SCALE = 1.00 :1	
TOLERANCES:				TITLE CONNECTOR AUDIO	
DECIMAL:				AIRBORNE JACK, SWITCH,	
±.XX(X.X)		±.XXX(X.XX)		4 CONTACT, NX307BB1B	
±.0X(0.X)		±.00X(0.0X)		DO NOT SCALE DWG.	
FRACTION: ±X/XX		ANGLES: ±X°		SHEET 1 OF 1	
±.XXX				SIZE C	
				DWG. NO. TJS-102DP	

**NEXUS**  
 STAMFORD, CONN