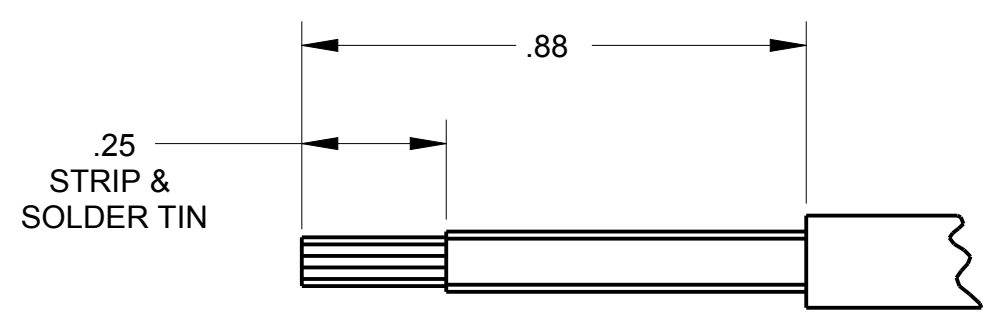


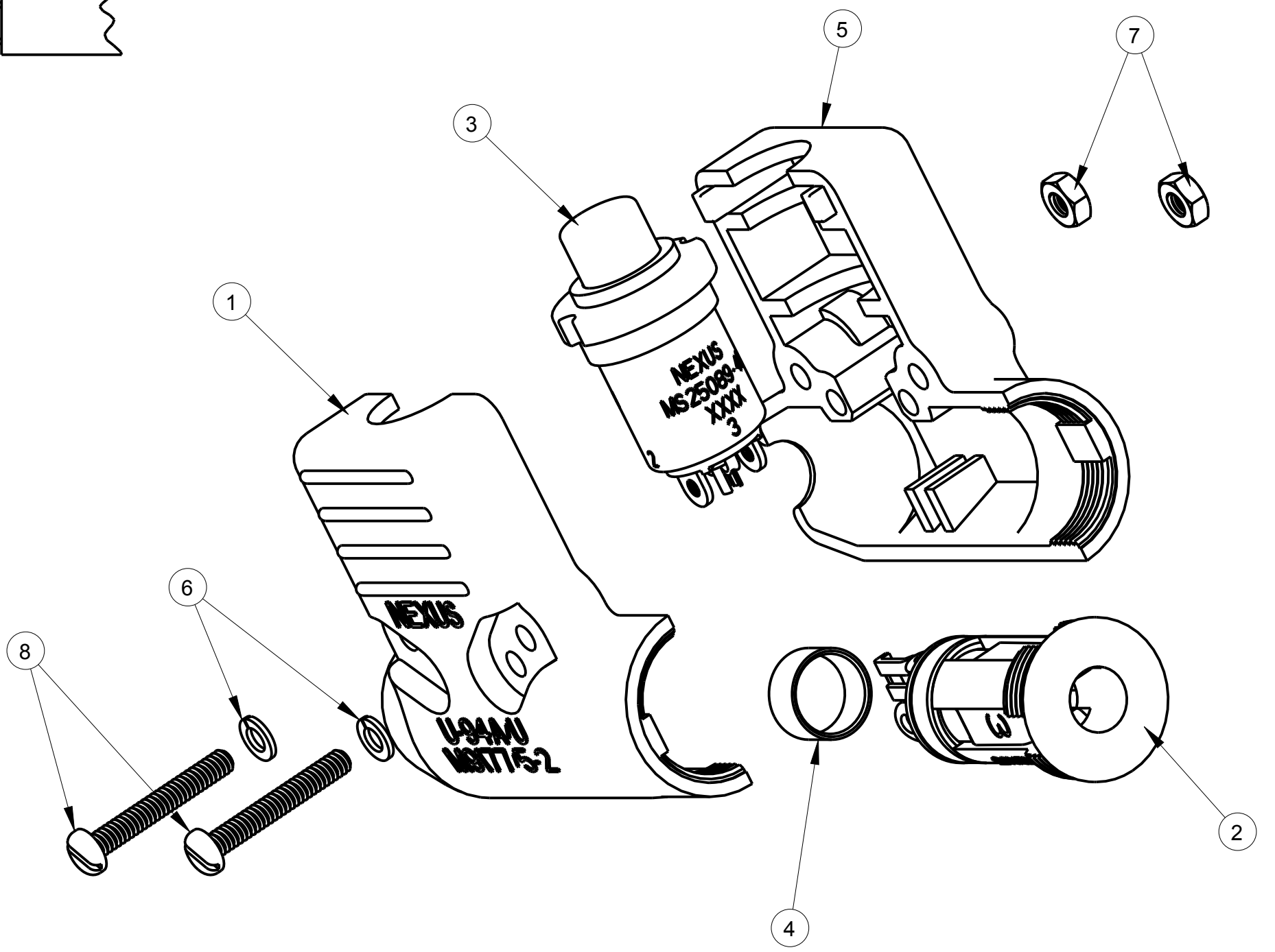
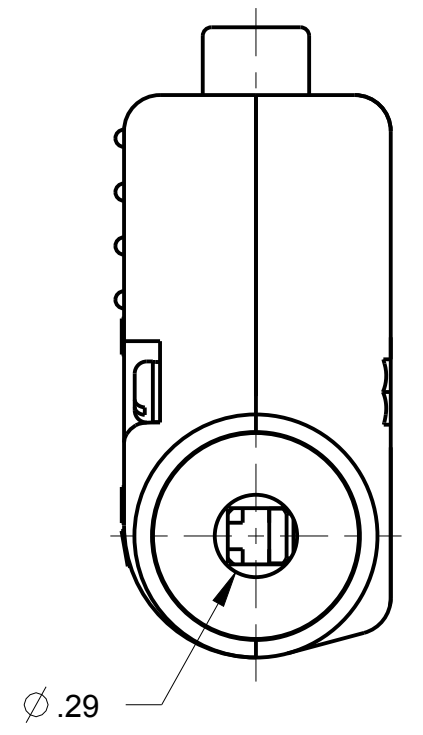
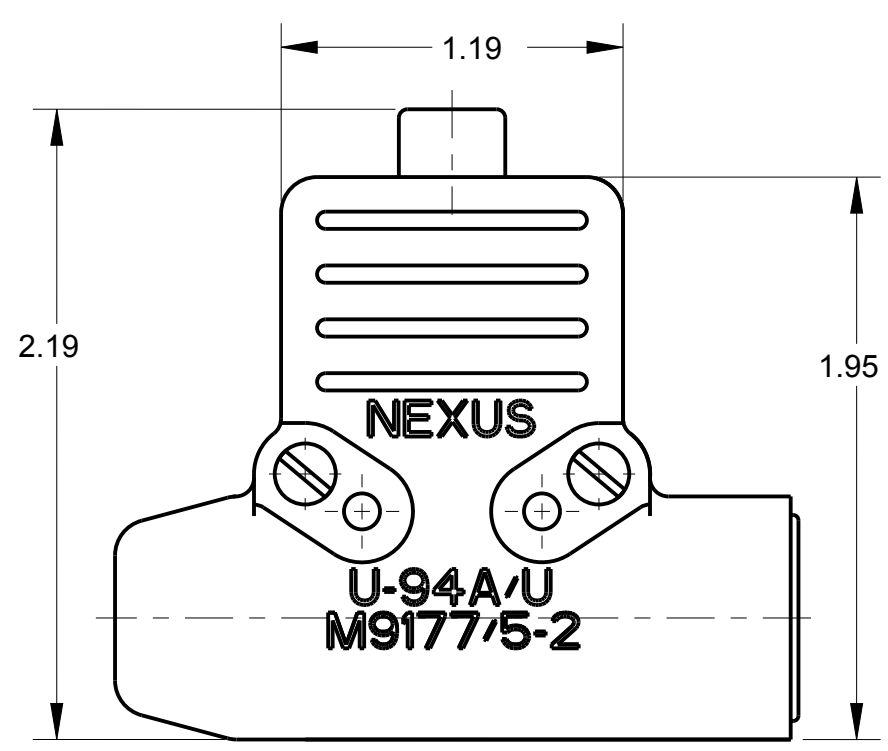
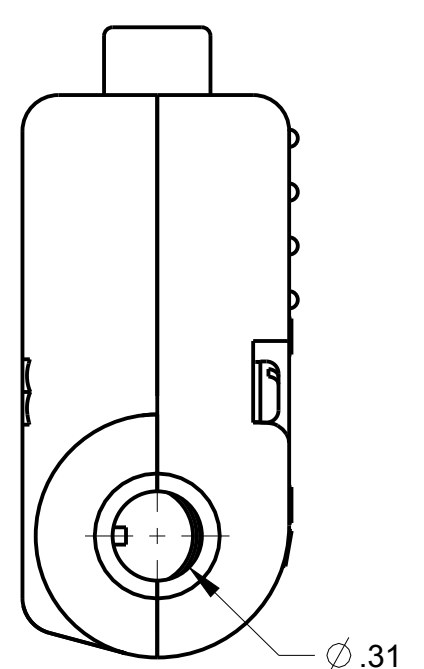
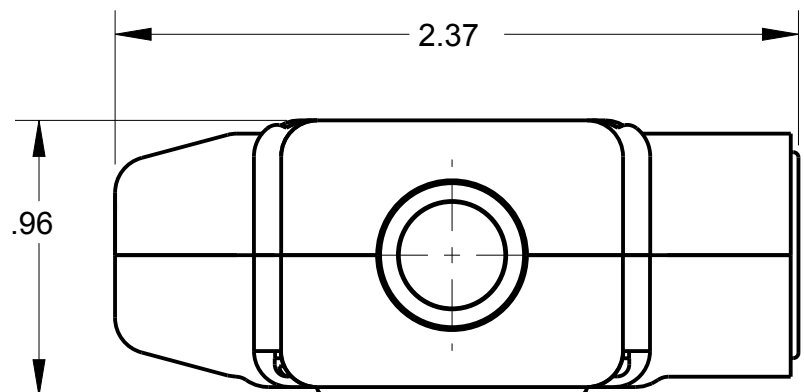
ITEM #	PART #	QTY	DESCRIPTION
1	TJS-102-1	1	SHELL HALF, RIBBED
2	TJS-102-3	1	JACK ASSEMBLY
3	NX304BB1B	1	SWITCH MOMENTARY (3-TNO)
4	TP-102-20	1	CRIMP, SLEEVE ( $\phi$ .39 X .20)
5	TJS-102-2	1	SHELL, HALF - SMOOTH
6	TJ-106-13	2	#4 WASHER, LOCK
7	TJ-106-14	2	NUT, #4-40 SPECIAL
8	TJS-102-15	2	SCREW

C TJS-102NC

NOTES:  
 1) CRIMPING TOOLS USE M22520/S-01 HAND TOOL W/CRIMP DIE M22520/5-29, M22520/5-3S OR M22520/5-5S  
 2) MATING CONNECTORS M9177/1-1, & M9177/2-1



RECOMMENDED CABLE:  
 WM085/U (5-COND)  
 FOR USE WITH U-94A/U



THIS DOCUMENT CONTAINS PROPRIETARY INFORMATION OF NEXUS, INCORPORATED AND SUCH INFORMATION MAY NOT BE DISCLOSED TO OTHERS FOR ANY PURPOSE OR USED FOR ANY PURPOSE WITHOUT THE WRITTEN CONSENT OF NEXUS.

DWN. BY		HR	DATE	Mar-24-14	MATERIAL	
CHECKED BY			DATE		FINISH	
APPR. BY			DATE		WEIGHT	SCALE = 1.00 :1
UNLESS OTHERWISE SPECIFIED DIMENSIONS ARE IN INCHES & OR (mm)					TITLE	
TOLERANCES:					CONNECTOR AUDIO	
DECIMAL:					AIRBORNE JACK W/SWITCH	
±.XX(X.X) ±.XXX(X.XX) ±.XXXX(X.XXX)					4 CONTACT	
±.0X(0.X) ±.00X(0.0X) ±.000X(0.0XX)					DO NOT SCALE DWG.	SHEET 1 OF 1
FRACTION: ±X/XX ±X/XX					NEXUS STAMFORD, CONN	
ANGLES: ±X° ±X°					SIZE	DWG. NO.
A	NEW RELEASE	198	3/24 2014	HR	C	TJS-102NC
LET.	REVISION	CN #	DATE	CHK		