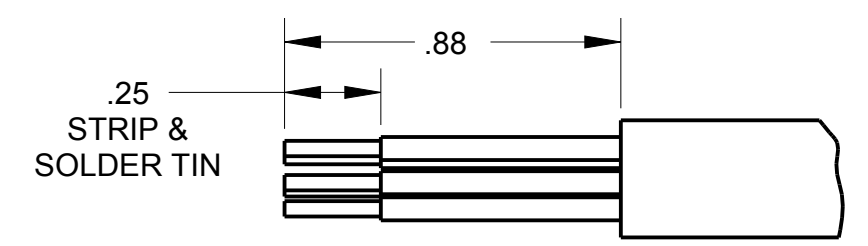
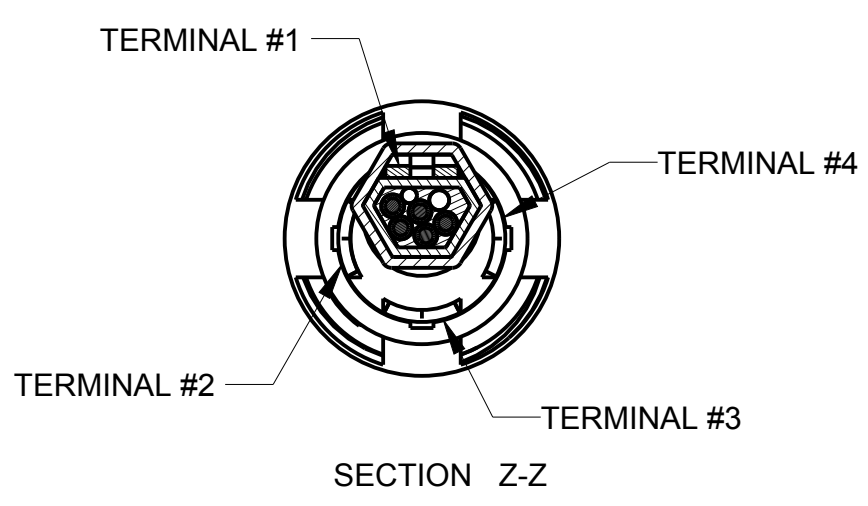
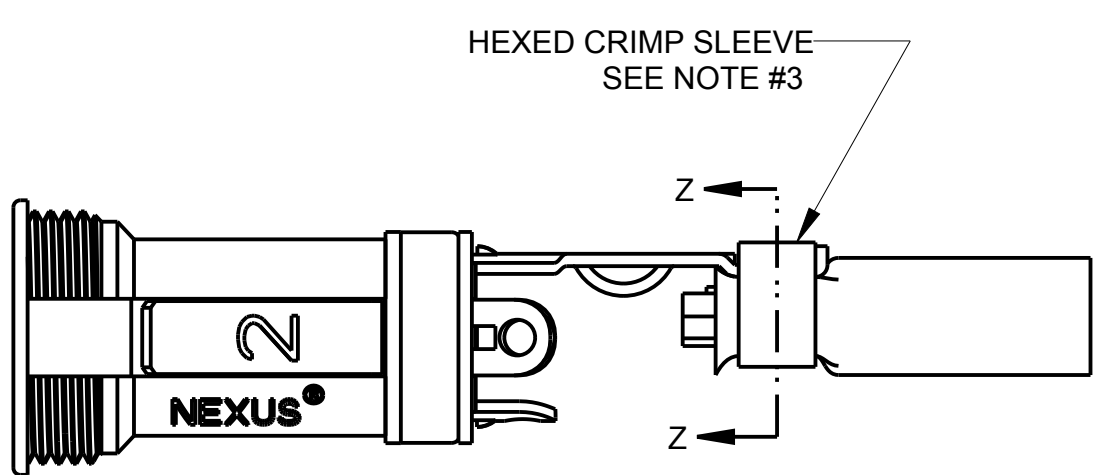
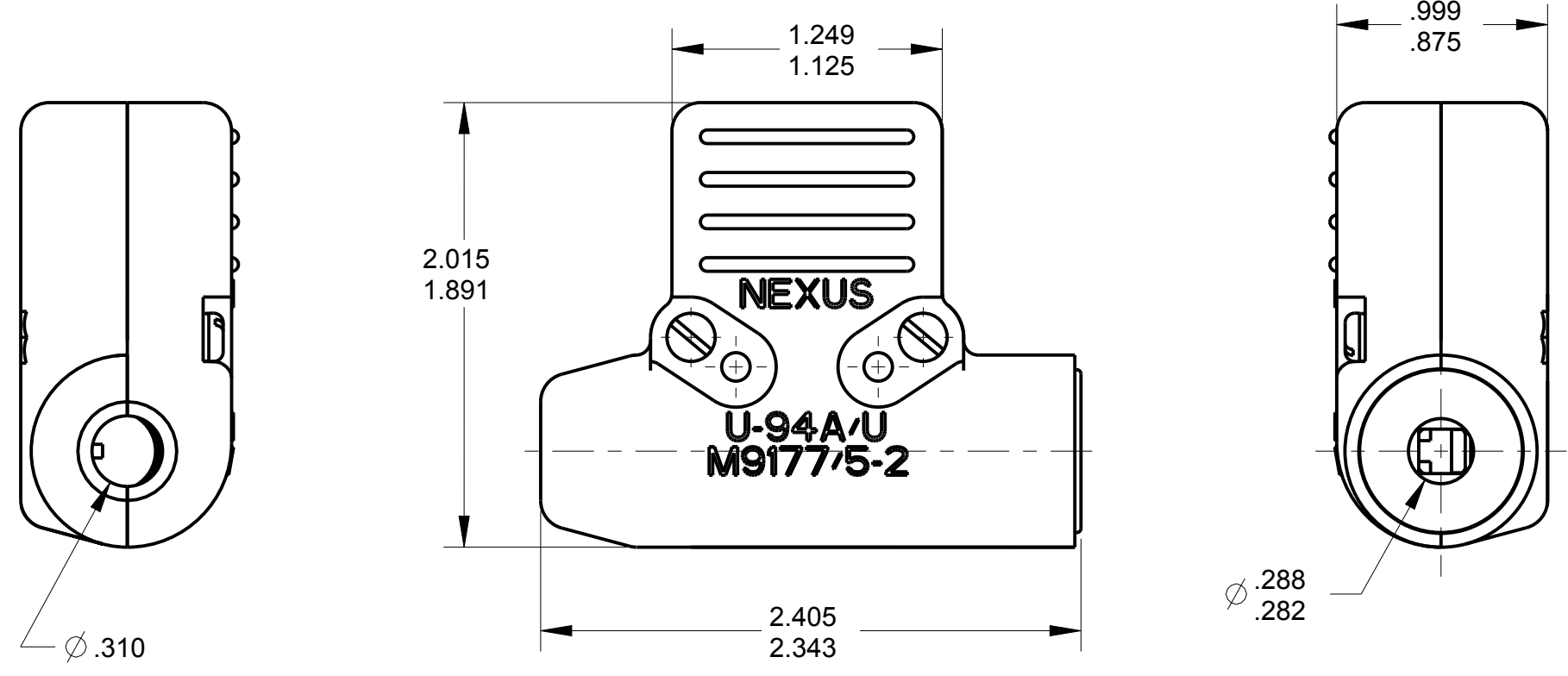
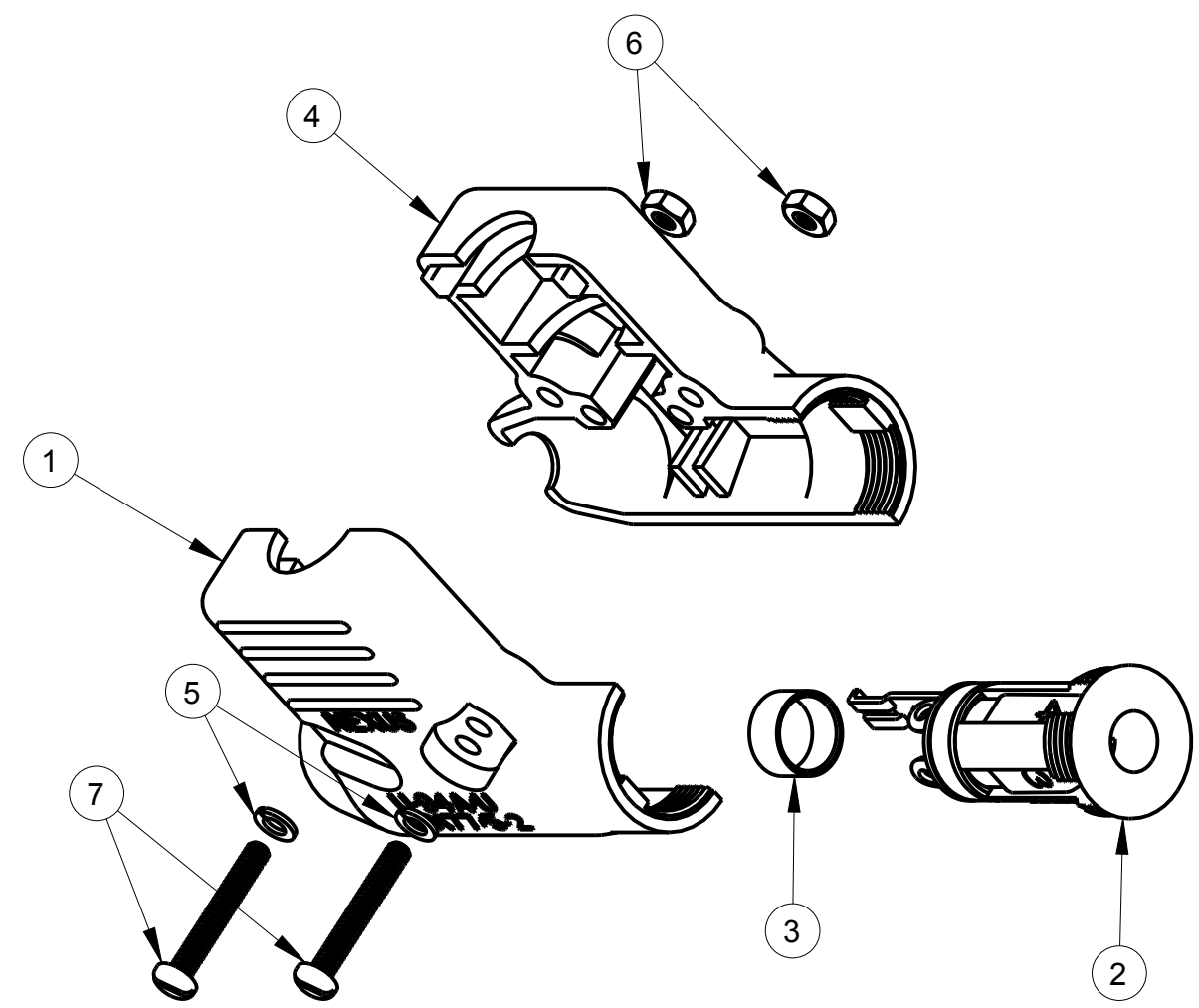


ITEM #	PART #	QTY	DESCRIPTION
1	TJS-102-1	1	SHELL HALF, RIBBED
2	TJS-102-3	1	JACK ASSEMBLY
3	TP-102-20	1	CRIMP, SLEEVE (ϕ .39 X .20)
4	TJS-102-2	1	SHELL, HALF - SMOOTH
5	TJ-106-13	2	#4 WASHER, LOCK
6	TJ-106-14	2	NUT, #4-40 SPECIAL
7	TJS-102-15	2	SCREW

NOTES:
 1) EACH PART SHALL BE MARKED WITH U-94A/U & M9177/5-2
 2) PART SHALL BE ON QUALIFIED PRODUCT LIST FOR MIL-C-9177/5A
 3) CRIMPING TOOLS USE M22520/S-01 HAND TOOL W/CRIMP DIE M22520/5-29, M22520/5-3S OR M22520/5-5S
 4) MATING CONNECTORS M9177/1-1, & M9177/2-1

C TJS-102NSC



RECOMMENDED CABLE:
 WM085/U (5-COND)
 FOR USE WITH U-94A/U

THIS DOCUMENT CONTAINS PROPRIETARY INFORMATION OF NEXUS, INCORPORATED AND SUCH INFORMATION MAY NOT BE DISCLOSED TO OTHERS FOR ANY PURPOSE OR USED FOR ANY PURPOSE WITHOUT THE WRITTEN CONSENT OF NEXUS.

DWN. BY IDH		DATE 7/15/85		MATERIAL	
CHECKED BY RWF		DATE 7/16/85		FINISH	
APPR. BY		DATE		WEIGHT	SCALE = 1.00 :1
UNLESS OTHERWISE SPECIFIED DIMENSIONS ARE IN INCHES & OR (mm)					
TOLERANCES:					
DECIMAL:					
±.XX(X.X)		±.XXX(X.XX)		±.XXXX(X.XXX)	
±.0X(0.X)		±.00X(0.0X)		±.000X(0.0XX)	
FRACTION: ±X/XX		FRACTION: ±X/XX		FRACTION: ±X/XX	
ANGLE: ±X°		ANGLE: ±X°		ANGLE: ±X°	
B		ADD: BOM: EXPLODED VIEW		12/3 2014 HR	
LET.		REVISION		CN # DATE CHK	
TITLE CONNECTOR AUDIO AIRBORNE JACK, NO CLIP, 4 CONTACT, NO SWITCH				DO NOT SCALE DWG.	
SHEET 1 OF 1				SHEET 1 OF 1	
SIZE C		DWG. NO. TJS-102NSC		NEXUS STAMFORD, CONN	