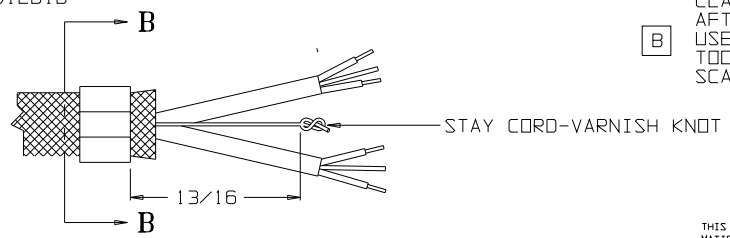
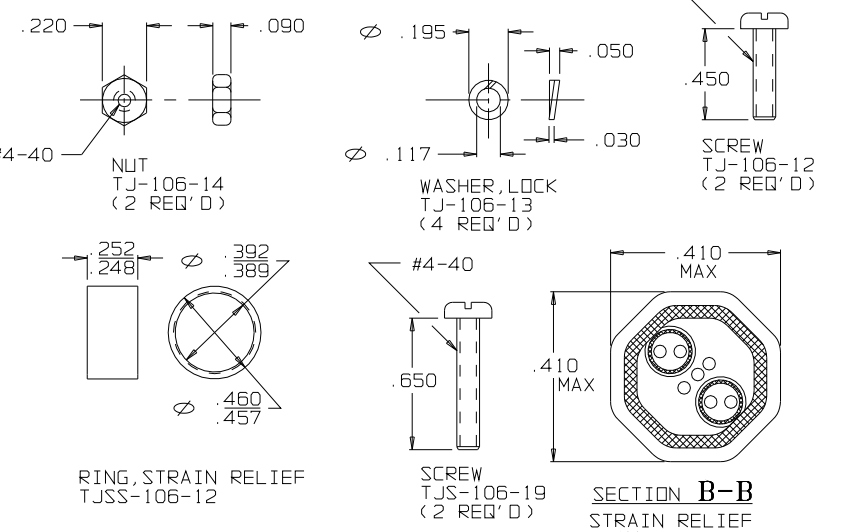
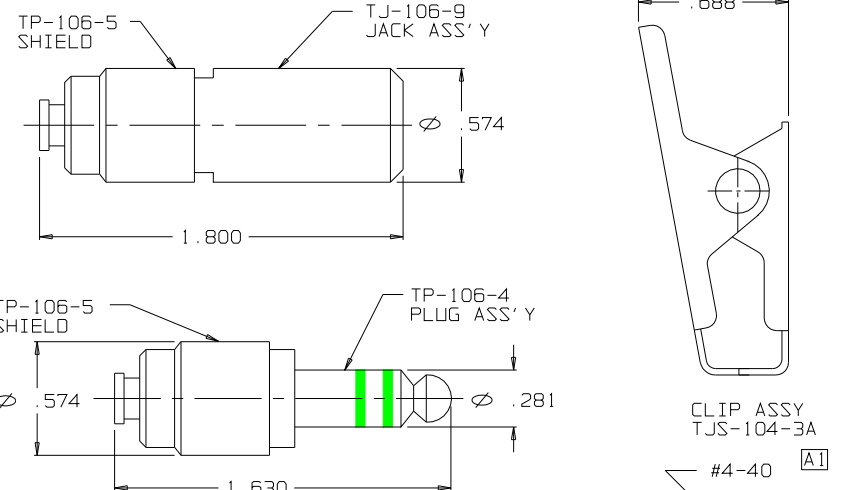
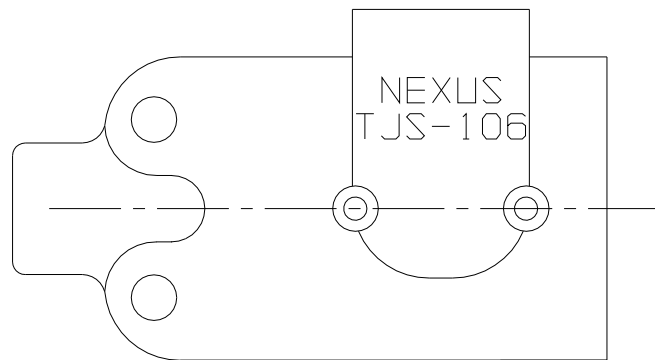
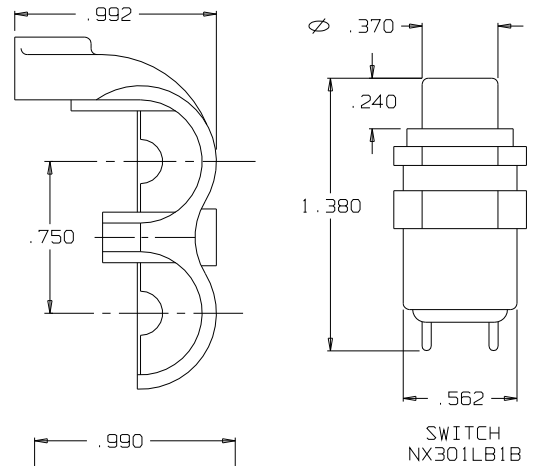
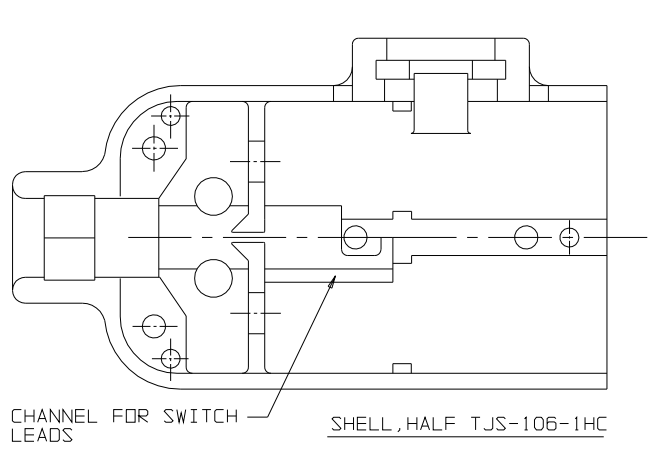
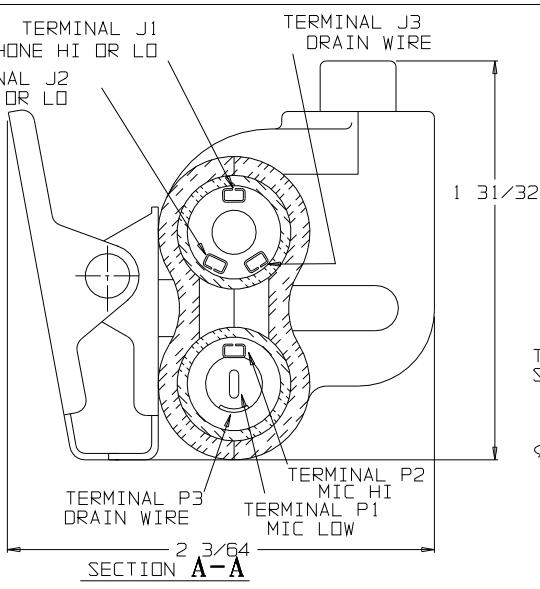
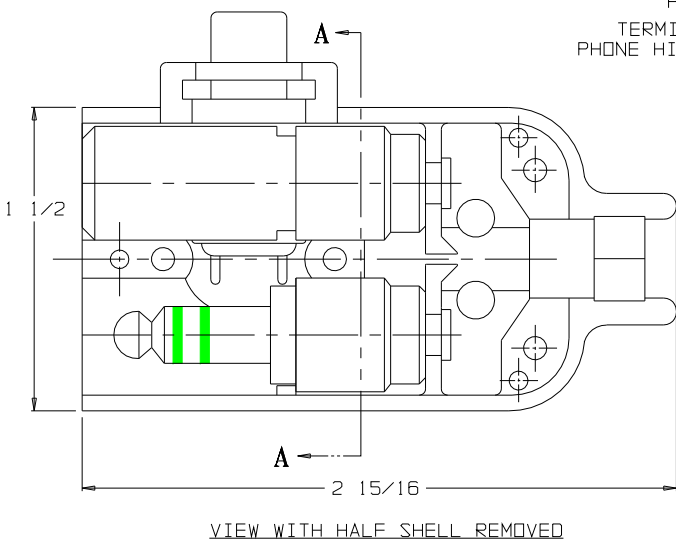


C TJS-106HC



THIS DOCUMENT CONTAINS PROPRIETARY INFORMATION OF NEXUS, INCORPORATED AND SUCH INFORMATION MAY NOT BE DISCLOSED TO OTHERS FOR ANY PURPOSE OR USED FOR ANY PURPOSE WITHOUT THE WRITTEN CONSENT OF NEXUS.



DWN BY <i>EWT</i>	DATE 9/16/02	MATERIAL	
CHECKED BY	DATE	FINISH	
APPR BY	DATE	WEIGHT	SCALE 2:1
TITLE JACK-TELEPHONE-BIAXIAL SHIELDED (6) CONDUCTOR WITH SWITCH / HEX CRIMP		NEXUS STAMFORD, CONN	
UNLESS OTHERWISE SPECIFIED DIMENSIONS ARE IN INCHES TOLERANCES ON FRACTIONS DECIMALS ANGLES		SIZE DWG NO. C TJS-106HC	
LET.	REVISION	CN #	DATE
			CHK
			±.005
			±.001
DO NOT SCALE DWG.		SHEET 1 OF 1	

B	ADD DANIELS HX4 CRIMP TOOL AND Y146 DIE SET	026	GPH	9/16/02
A	INITIAL RELEASE			