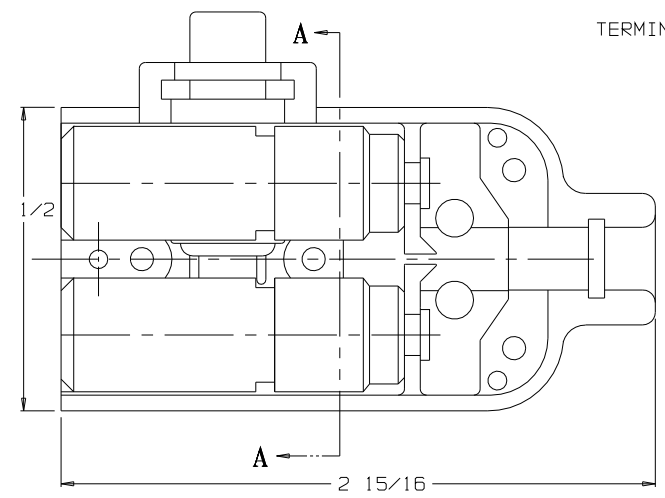
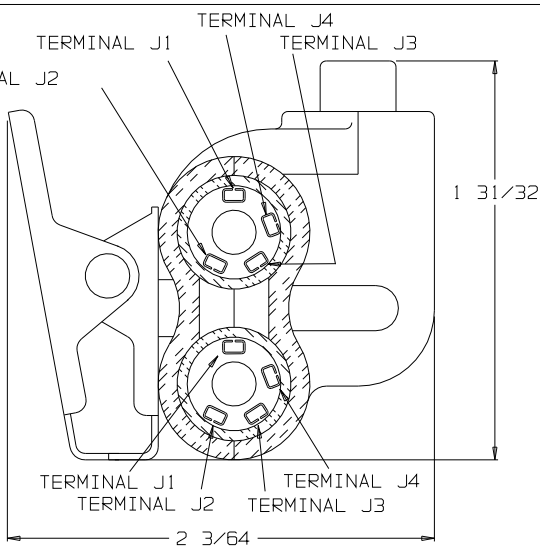


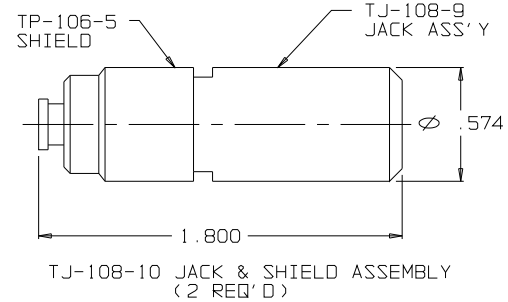
C TJS-107



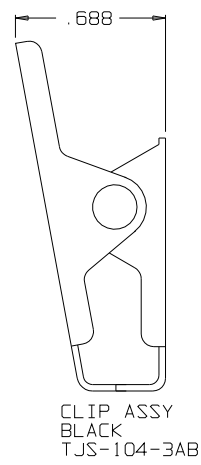
VIEW WITH HALF SHELL REMOVED



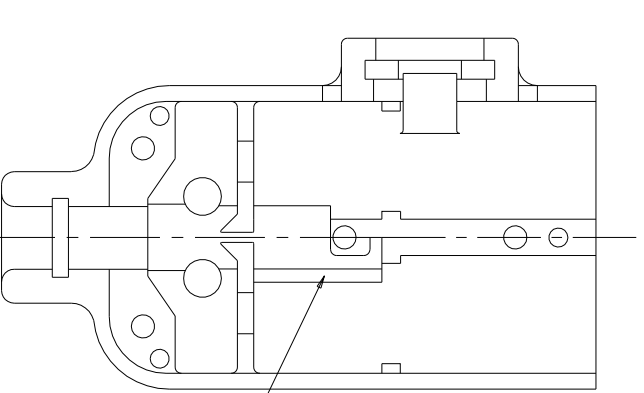
SECTION A-A



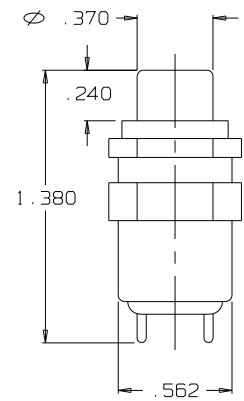
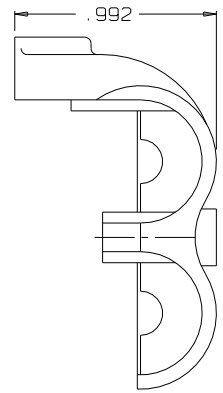
TJ-108-10 JACK & SHIELD ASSEMBLY (2 REQ'D)



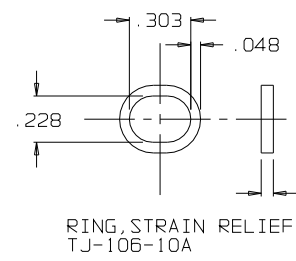
CLIP ASSY BLACK TJS-104-3AB



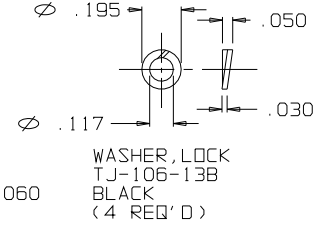
SHELL, HALF TJS-106-1



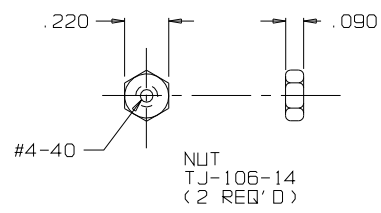
SWITCH NX301LB1B



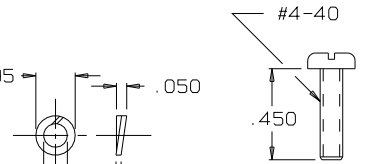
RING, STRAIN RELIEF TJ-106-10A



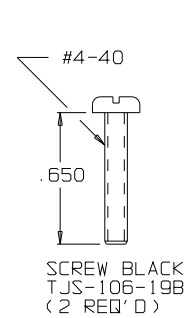
WASHER, LOCK TJ-106-13B BLACK (4 REQ'D)



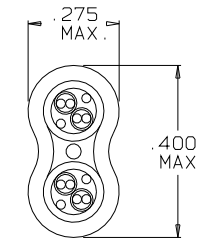
NUT TJ-106-14 (2 REQ'D)



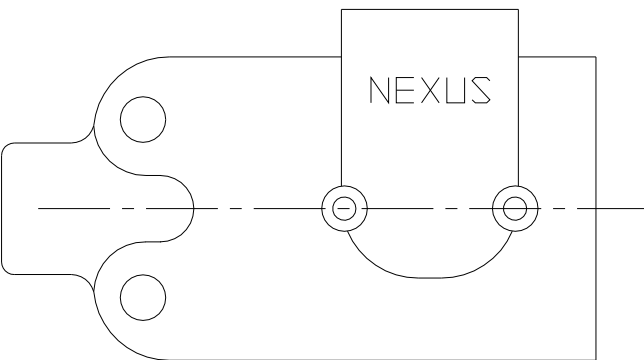
SCREW TJ-106-12 (2 REQ'D)



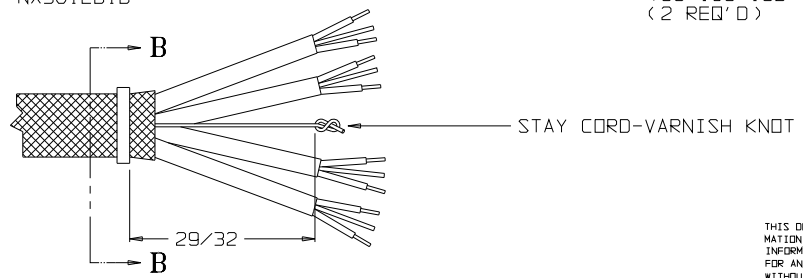
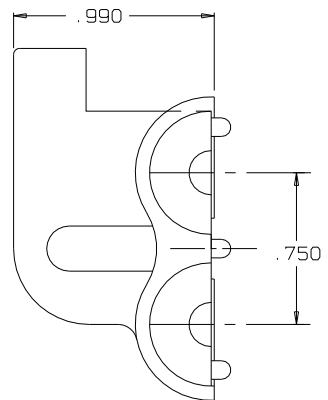
SCREW BLACK TJS-106-19B (2 REQ'D)



SECTION B-B STRAIN RELIEF CLAMP TJ-106-10A AFTER CRIMPING SCALE: 4:1



SHELL, HALF TJS-107-2



STAY CORD-VARNISH KNOT

THIS DOCUMENT CONTAINS PROPRIETARY INFORMATION OF NEXUS, INCORPORATED AND SUCH INFORMATION MAY NOT BE DISCLOSED TO OTHERS FOR ANY PURPOSE OR USED FOR ANY PURPOSE WITHOUT THE WRITTEN CONSENT OF NEXUS.

DWN BY <i>M.N.F.</i>	DATE 2/19/96	MATERIAL	
CHECKED BY <i>L.SMITH</i>	DATE 3/14/96	FINISH	
APPR BY <i>L.SMITH</i>	DATE 3/14/96	WEIGHT	SCALE 2:1
UNLESS OTHERWISE SPECIFIED DIMENSIONS ARE IN INCHES TOLERANCES ON FRACTIONS DECIMALS ANGLES		TITLE JACK-TELEPHONE-BIAXIAL SHIELDED (8) CONDUCTOR WITH SWITCH	
A INITIAL RELEASE		DO NOT SCALE DWG.	
LET.	REVISION	SHEET 1 OF 1	
ERN 062	CN #	NEXUS STAMFORD, CONN	
11/21/06	DATE	SIZE DWG. NO.	
EWT	CHK	C TJS-107	
1/64			