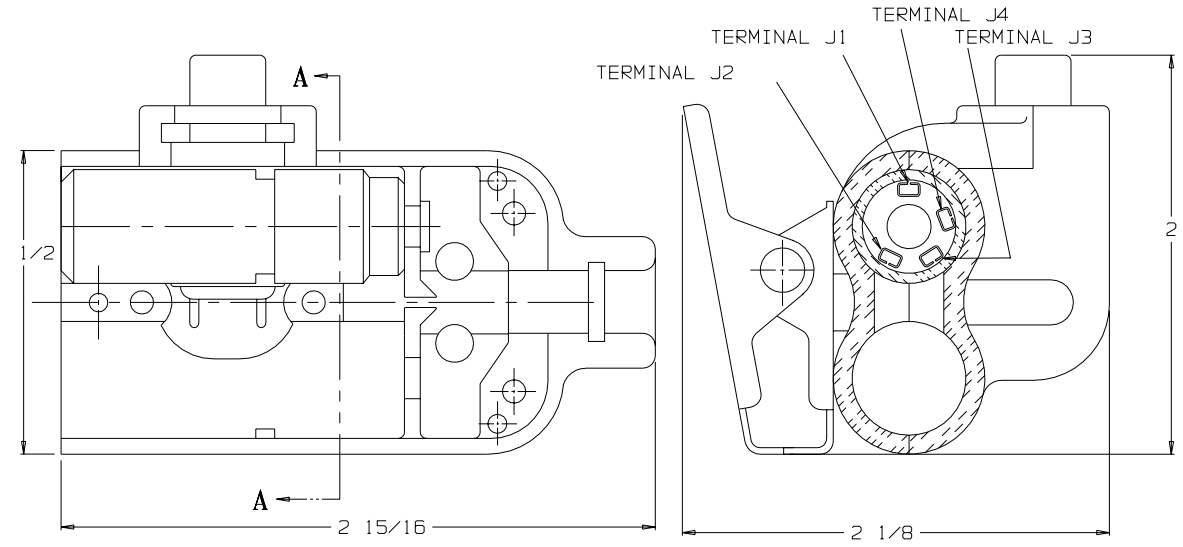
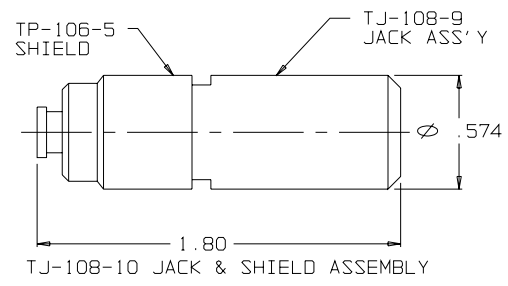


C TJS-108NP

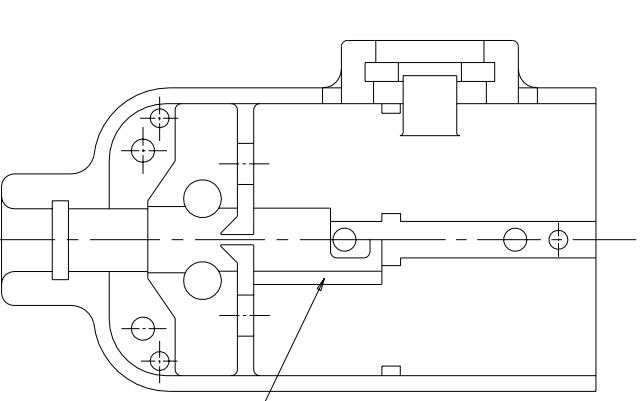
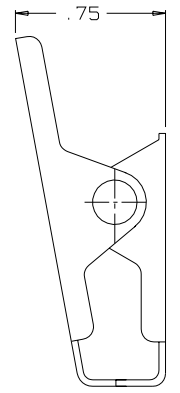


VIEW WITH HALF SHELL REMOVED

SECTION A-A

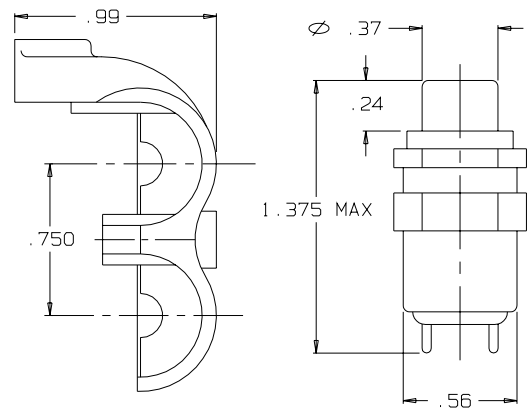


TJ-108-10 JACK & SHIELD ASSEMBLY

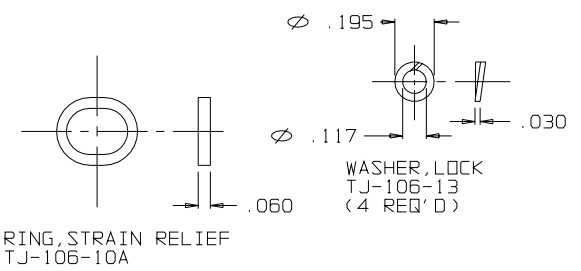


CHANNEL FOR SWITCH LEADS

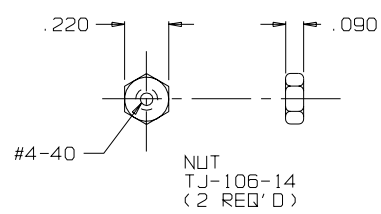
SHELL, HALF TJS-106-1



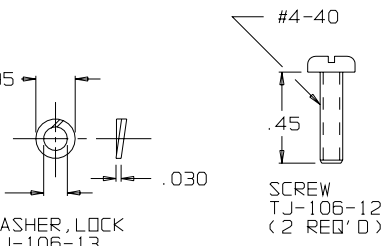
SWITCH NX301LB1B



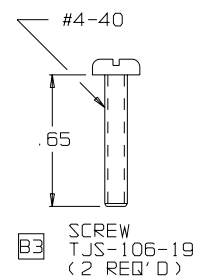
RING, STRAIN RELIEF TJ-106-10A



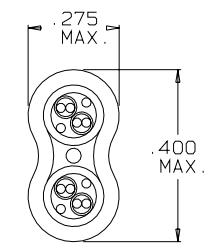
NUT TJ-106-14 (2 REQ'D)



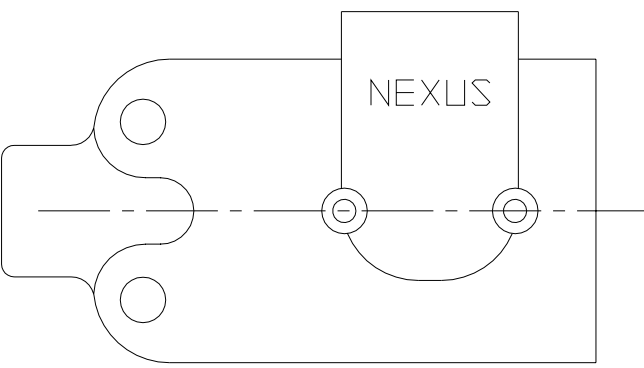
SCREW TJ-106-12 (2 REQ'D)



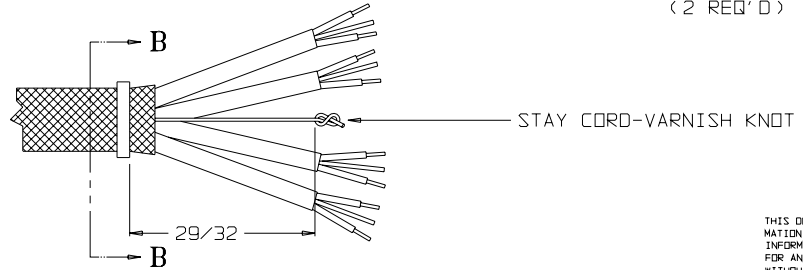
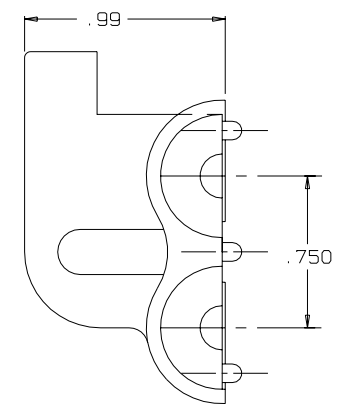
SCREW TJS-106-19 (2 REQ'D)



SECTION B-B STRAIN RELIEF CLAMP TJ-106-10A AFTER CRIMPING SCALE: 4:1



SHELL, HALF TJS-108-2



STAY CORD-VARNISH KNOT

THIS DOCUMENT CONTAINS PROPRIETARY INFORMATION OF NEXUS, INCORPORATED AND SUCH INFORMATION MAY NOT BE DISCLOSED TO OTHERS FOR ANY PURPOSE OR USED FOR ANY PURPOSE WITHOUT THE WRITTEN CONSENT OF NEXUS.

DWN BY <i>EWT</i>	DATE 11/19/07	MATERIAL	
CHECKED BY	DATE	FINISH	
APPR BY	DATE	WEIGHT	SCALE 2:1
UNLESS OTHERWISE SPECIFIED DIMENSIONS ARE IN INCHES TOLERANCES ON FRACTIONS DECIMALS +/- 1/32 XX±.015 XXX±.005		TITLE JACK-TELEPHONE-BIAXIAL SHIELDED (4) CONDUCTOR WITH SWITCH NO PLUG	
DO NOT SCALE DWG.		SHEET 1 OF 1	

A	INITIAL RELEASE		11/19/07	EWT
LET.	REVISION	CN #	DATE	CHK.

NEXUS
STAMFORD, CONN
SIZE DWG. NO.
C TJS-108NP