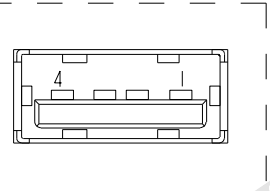
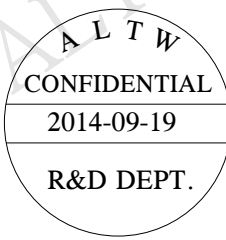
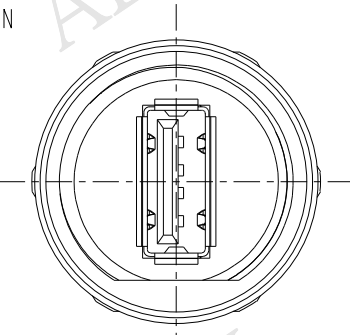
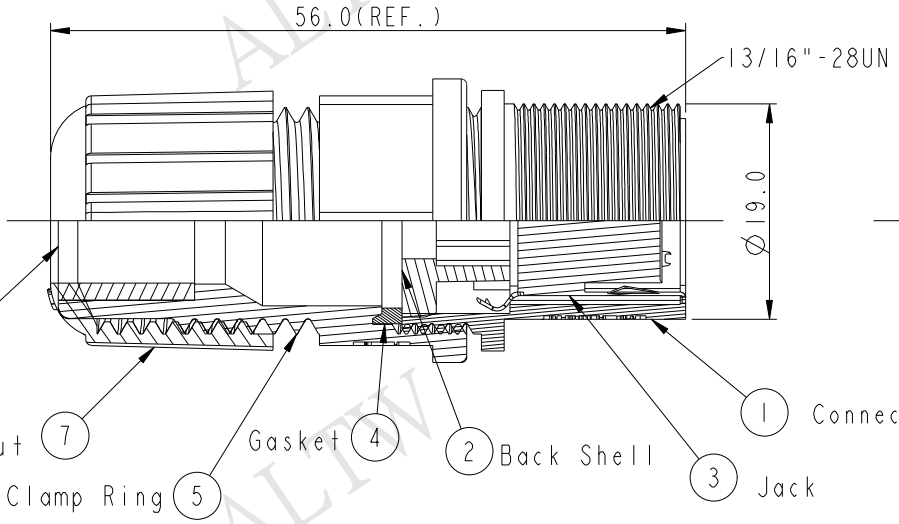
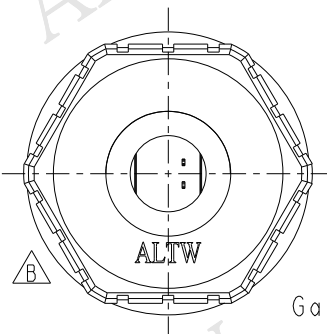


REV.	ECN NO.	DATE	SIGN	DESCRIPTION
B	LEN1490381	2014/09/19	Lu Di	Update Logo



Pin Assignments Front View 前視圖

- Note:
1. Seals For Cable OD:  $\varnothing 5.0\text{mm} \sim \varnothing 10.8\text{mm}$  (防水墊圈線徑)
  2. One Set Unassembly In One PE Bag (每一組未組裝放至於一個PE袋並封上)
  3.  $\varnothing$  Important Dimension ( $\varnothing$  為重點檢驗尺寸)

UNIT:mm		TITLE USB A Type Male Connector Assembly			ITEM NO UA-20BMFA-SL8001	DRAWN BY Lu Di	DATE 2014/09/19
		SCALE 3:2	SIZE A4	SHEET 1 OF 1	DWG NO UA-20BMFA-SL8001	CHECKED BY Mafei	DATE 2014/09/19
TOLERANCE .X ±0.25 .XX ±0.1 .XXX ±0.05 ANGLES ±1°		REV. B	WC-REV. A.4	QC: Inspection item	CUSTOMER ALTW	APPROVED BY Jerry	DATE 2014/09/19

**Amphenol LTW**  
安費諾亮泰企業股份有限公司

THIS DOCUMENT IS SUBJECT TO CHANGE WITHOUT NOTICE. IT IS CONFIDENTIAL AND A PROPERTY OF Amphenol LTW. DISCLOSURE TO THIRD PARTY HAS TO BE AUTHORIZED BY Amphenol LTW.