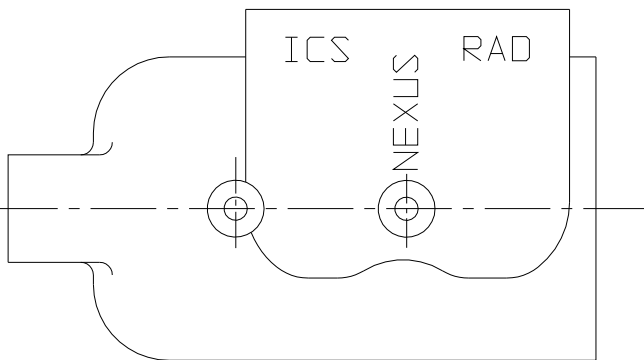
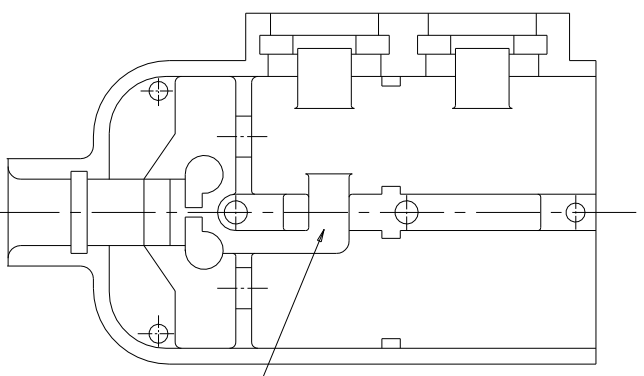
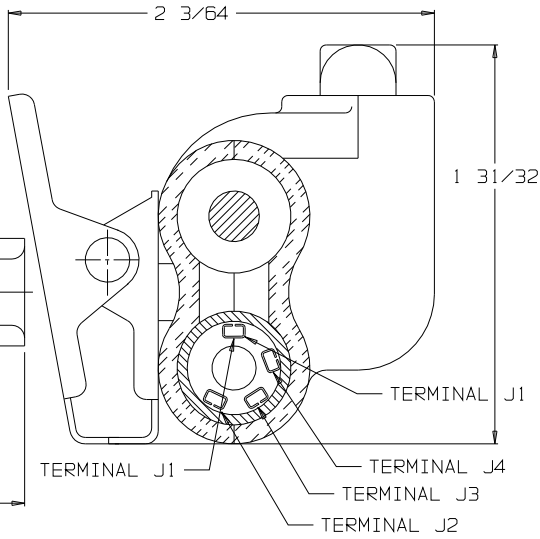


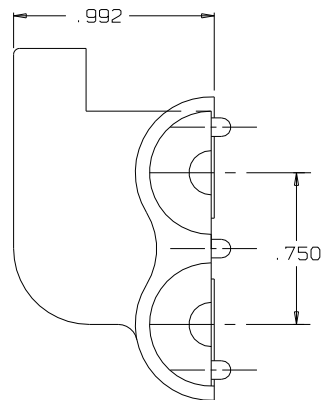
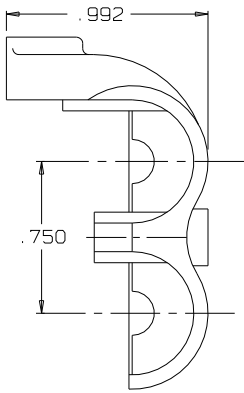
VIEW WITH HALF SHELL REMOVED



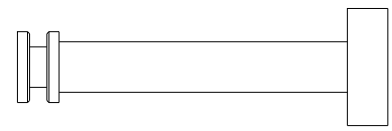
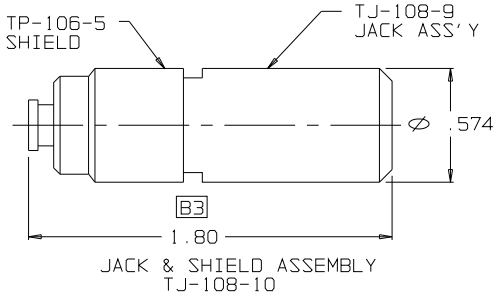
SHELL, HALF TJSS-106-1



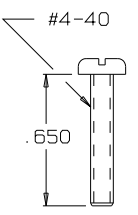
SECTION A-A



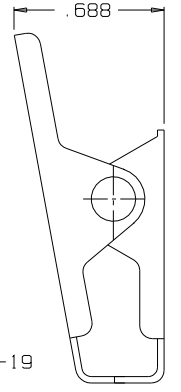
**C** TJSS-104



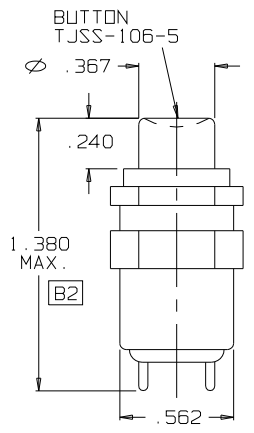
FILLER PLUG TJSS-106-11



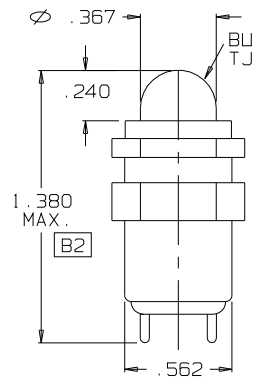
SCREW TJS-106-19



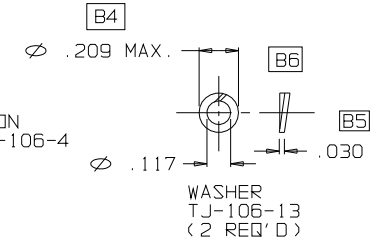
CLIP ASSY TJSS-104-3A



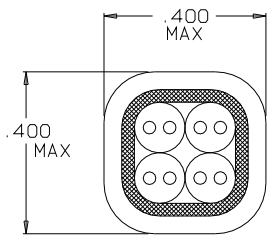
SWITCH NX301LB1B



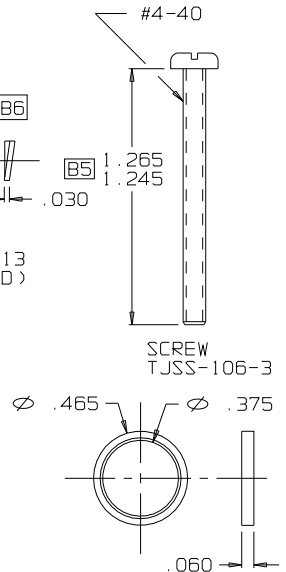
SWITCH NX301LB1G SPND



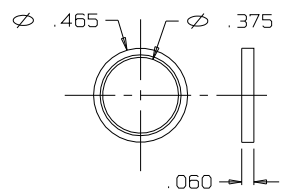
WASHER TJ-106-13 (2 REQ'D)



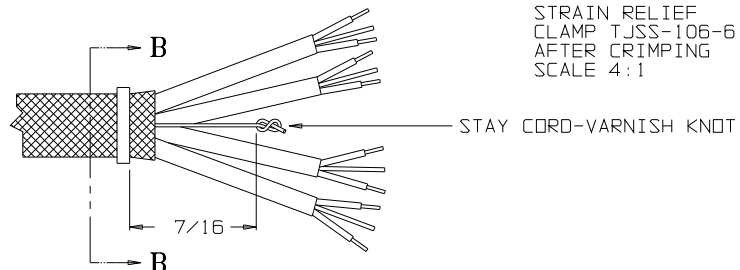
SECTION B-B  
STRAIN RELIEF CLAMP TJSS-106-6 AFTER CRIMPING SCALE 4:1



SCREW TJSS-106-3



RING, STRAIN RELIEF TJSS-106-6



STAY CORD-VARNISH KNOT

THIS DOCUMENT CONTAINS PROPRIETARY INFORMATION OF NEXUS, INCORPORATED AND SUCH INFORMATION MAY NOT BE DISCLOSED TO OTHERS FOR ANY PURPOSE OR USED FOR ANY PURPOSE WITHOUT THE WRITTEN CONSENT OF NEXUS.

C	1) ADDED NX301LB1G TO SWITCH.	ECN053	3/30/10	GPH	DWN BY EWT	DATE 6/15/00	MATERIAL		
	7) 1/32 WAS 1/64. ADDED 1/2" DIA 8) DELETE .050 9) WAS 1.000 10) WAS 1.000 11) WAS 1.000 12) WAS 2.38/64	ECN041	1/8/10	GPH	CHECKED BY	DATE	FINISH	WEIGHT	SCALE 2:1
B					APPR BY	DATE	TITLE JACK-TELEPHONE-BIAXIAL SHIELDED (3) CONDUCTOR WITH TWO SWITCHES		
A	INITIAL RELEASE	ERNO07	6/16/00	EWT	UNLESS OTHERWISE SPECIFIED DIMENSIONS ARE IN INCHES TOLERANCES ON FRACTIONS DECIMALS ANGLES				
LET.	REVISION	CN #	DATE	CHK.	1/32	1/32	1/32	1/32	1/32
							DO NOT SCALE DWG.	SHEET 1 OF 1	SIZE C

**NEXUS STAMFORD, CONN**  
Dwg. No. **TJSS-104**