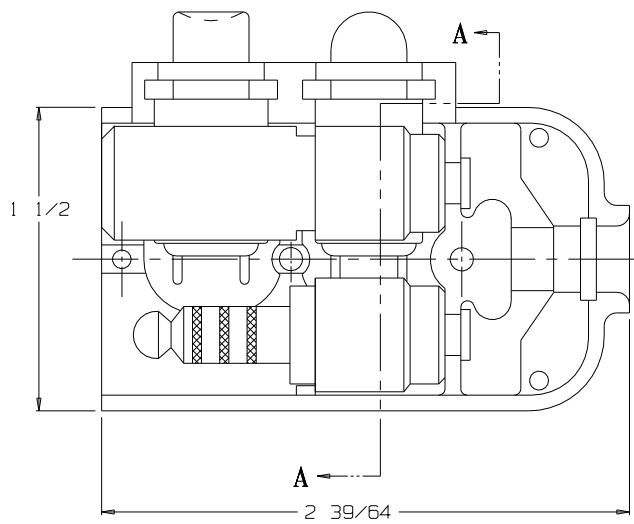
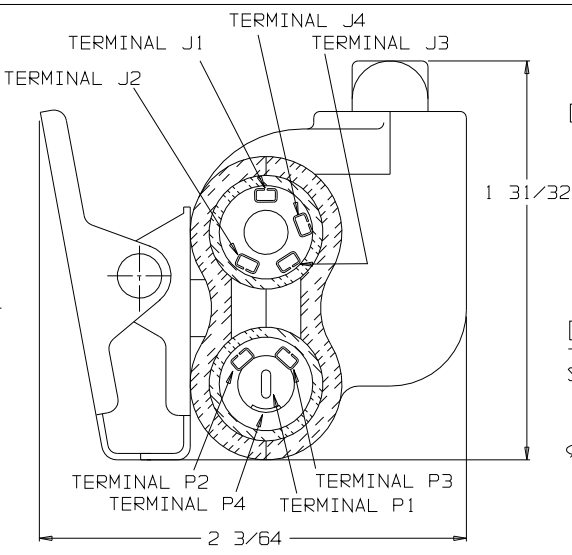


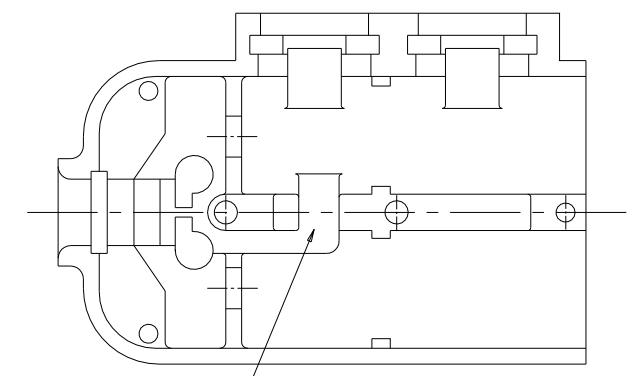
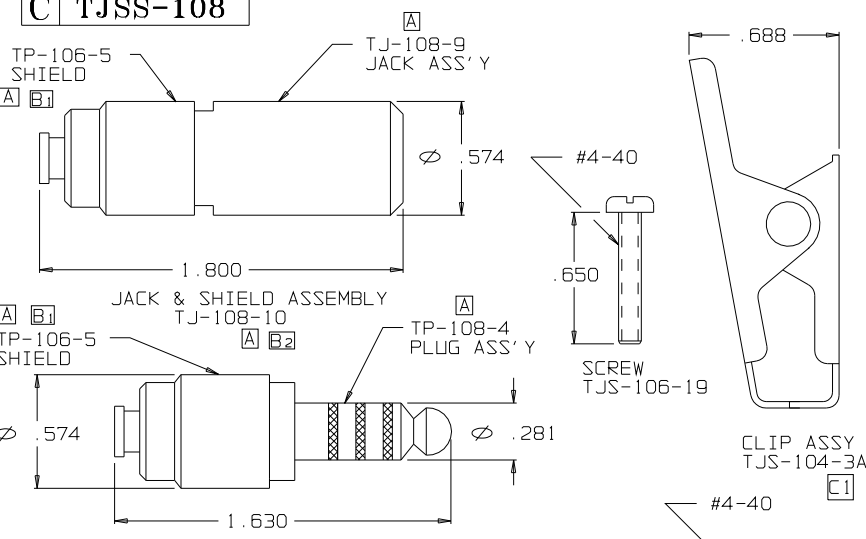
**C TJSS-108**



VIEW WITH HALF SHELL REMOVED

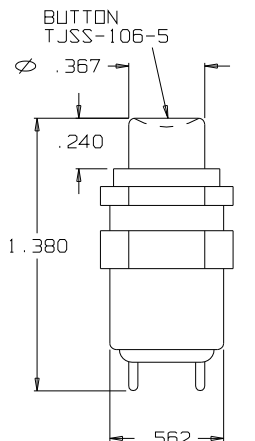
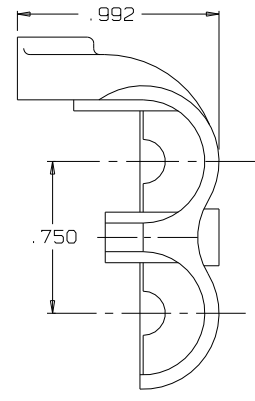


SECTION A-A

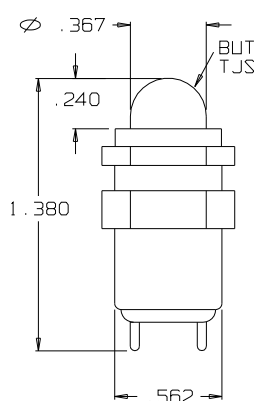


CHANNEL FOR SWITCH LEADS

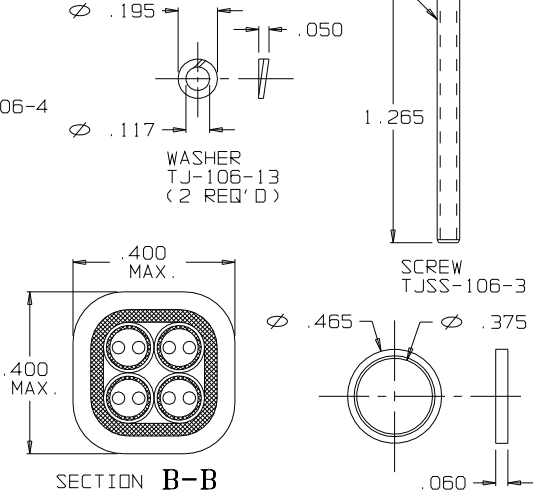
SHELL, HALF TJSS-106-2



[E1] NX301LB1B SWITCH

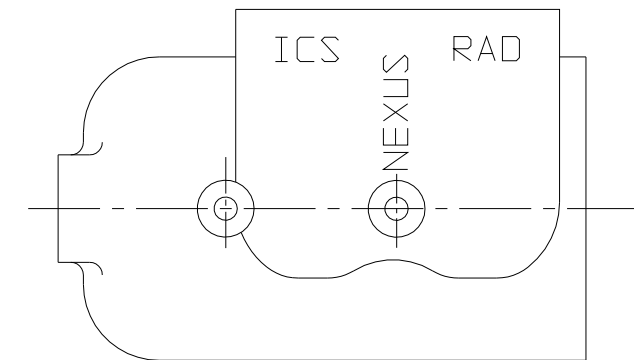


[E1] NX301LB1G SWITCH

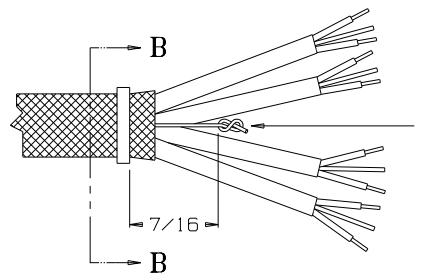


SECTION B-B  
STRAIN RELIEF CLAMP TJSS-106-8 AFTER CRIMPING SCALE 4:1

RING, STRAIN RELIEF TJSS-106-6



SHELL, HALF TJSS-108-1



STAY CORD-VARNISH KNOT

THIS DOCUMENT CONTAINS PROPRIETARY INFORMATION OF NEXUS, INCORPORATED AND SUCH INFORMATION MAY NOT BE DISCLOSED TO OTHERS FOR ANY PURPOSE OR USED FOR ANY PURPOSE WITHOUT THE WRITTEN CONSENT OF NEXUS.

E 1) WAS SWITCH SPND 067 6/25/10 G.P.H.		DWN BY M.N.F. DATE 12/14/94		MATERIAL	
D 1) WAS TJSS-106-1 0508 3/29/04 EWT		CHECKED BY L.SMITH DATE 4/6/95		FINISH	
C 1) WAS TJSS-104-3 0319 10/7/98 EWT		APPR BY L.SMITH DATE 4/6/95		WEIGHT	SCALE NONE
B 3) WAS TJSS-108-6 0222 4/2/96 L.S.		UNLESS OTHERWISE SPECIFIED DIMENSIONS ARE IN INCHES TOLERANCES ON FRACTIONS DECIMALS ANGLES		TITLE JACK-TELEPHONE-BIAXIAL SHIELDED (8) CONDUCTOR WITH TWO SWITCHES	
A REVISED PART NO'S 0200 11/9/95 L.S.				SIZE C	DWG. NO. TJSS-108
LET.	REVISION	CN #	DATE	CHK	DO NOT SCALE DWG. SHEET 1 OF 1