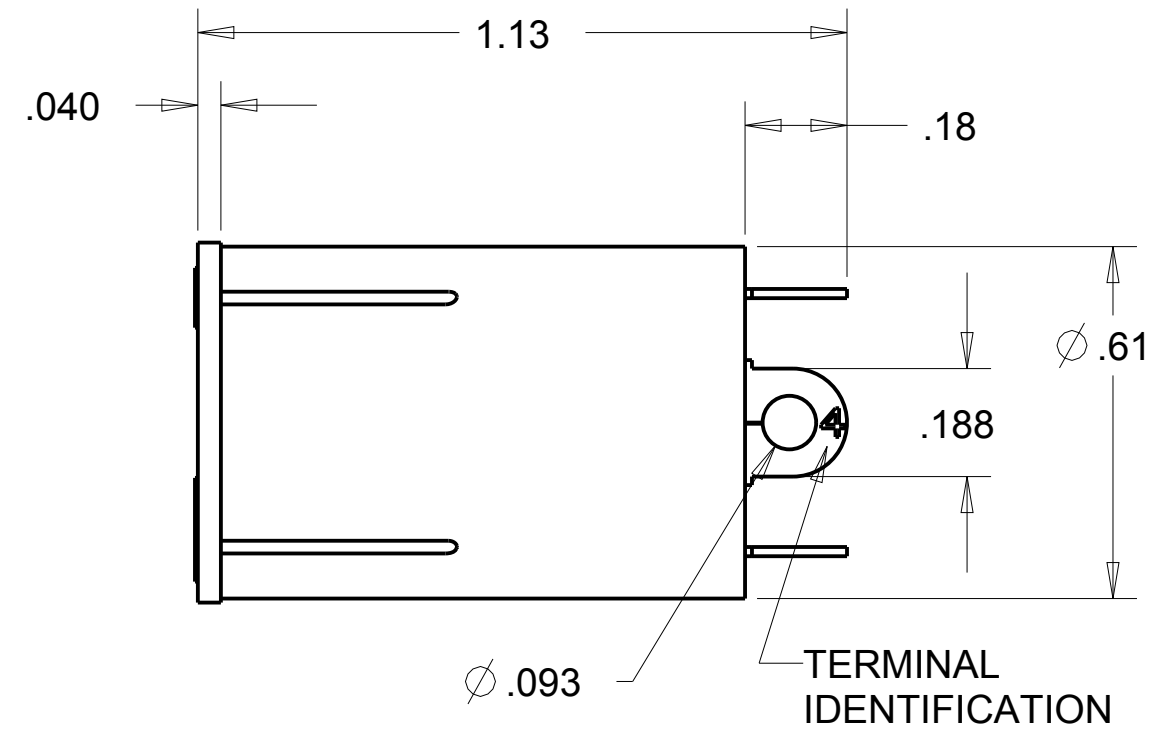
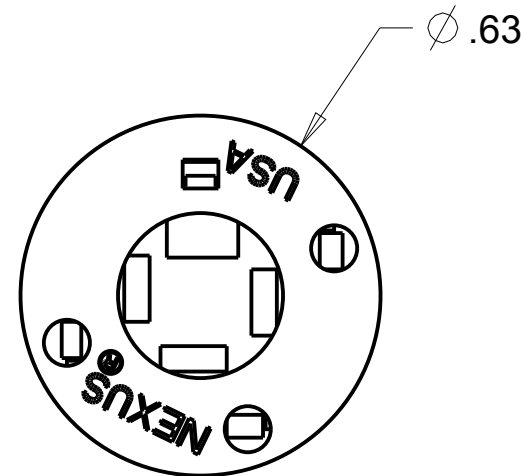


NOTES:

- 1) TERMINALS #1, 2, 3, & 4 TO BE BERYLLIUM COPPER
- 2) ALL TERMINALS FINISHED PER QQ-N-290 TYPE 1, CLASS 7 NICKEL
- 3) JACK ASSEMBLY TO MATE WITH TELEPHONE PLUGS TYPE, U-93A/U, U-174/U & TP-120
- 4) TERMINALS 1 & 3 ARE FOR MICROPHONE CIRCUIT
TERMINALS 2 & 4 ARE FOR EARPHONE CIRCUIT
- 5) INSERTION FORCE: 13 LBS MAX
WITHDRAWL FORCE: 5 LBS MIN - 10 LBS MAX
- 6 ELECTRICAL:
 - A) DIELECTRIC STRENGTH - 500 V RMS MIN BETWEEN ANY PAIR OF CONTACTS
 - B) INSULATION RESISTANCE: 100 MEGAOHMS MIN BETWEEN ANY PAIR OF CONTACTS.

B TJT-120-10CP



THIS DOCUMENT CONTAINS PROPRIETARY INFORMATION OF NEXUS, INCORPORATED AND SUCH INFORMATION MAY NOT BE DISCLOSED TO OTHERS FOR ANY PURPOSE OR USED FOR ANY PURPOSE WITHOUT THE WRITTEN CONSENT OF NEXUS.

A	NEW PROPOSAL		11/27 2013	HR
LET.	REVISION	CN #	DATE	CHK.

DWN.BY HR	DATE 11/27/13	MATERIAL		
CHECKED BY	DATE	FINISH		
APPR.BY	DATE	WEIGHT	SCALE = 2.00 :1	NEXUS STAMFORD, CONN
UNLESS OTHERWISE SPECIFIED: DIMENSIONS ARE IN INCHES &/OR (mm) TOLERANCES: DECIMAL: .XX[X.X] .XXX[X.XX] ± .01[0.3] ± .003[0.08]		TITLE		
FRACTION: X/X ± 1/64		ANGLES: X ± .5°		SIZE B
		JACK ASSEMBLY		DWG. NO. TJT-120-10CP
		DO NOT SCALE DWG.	SHEET 1 OF 1	