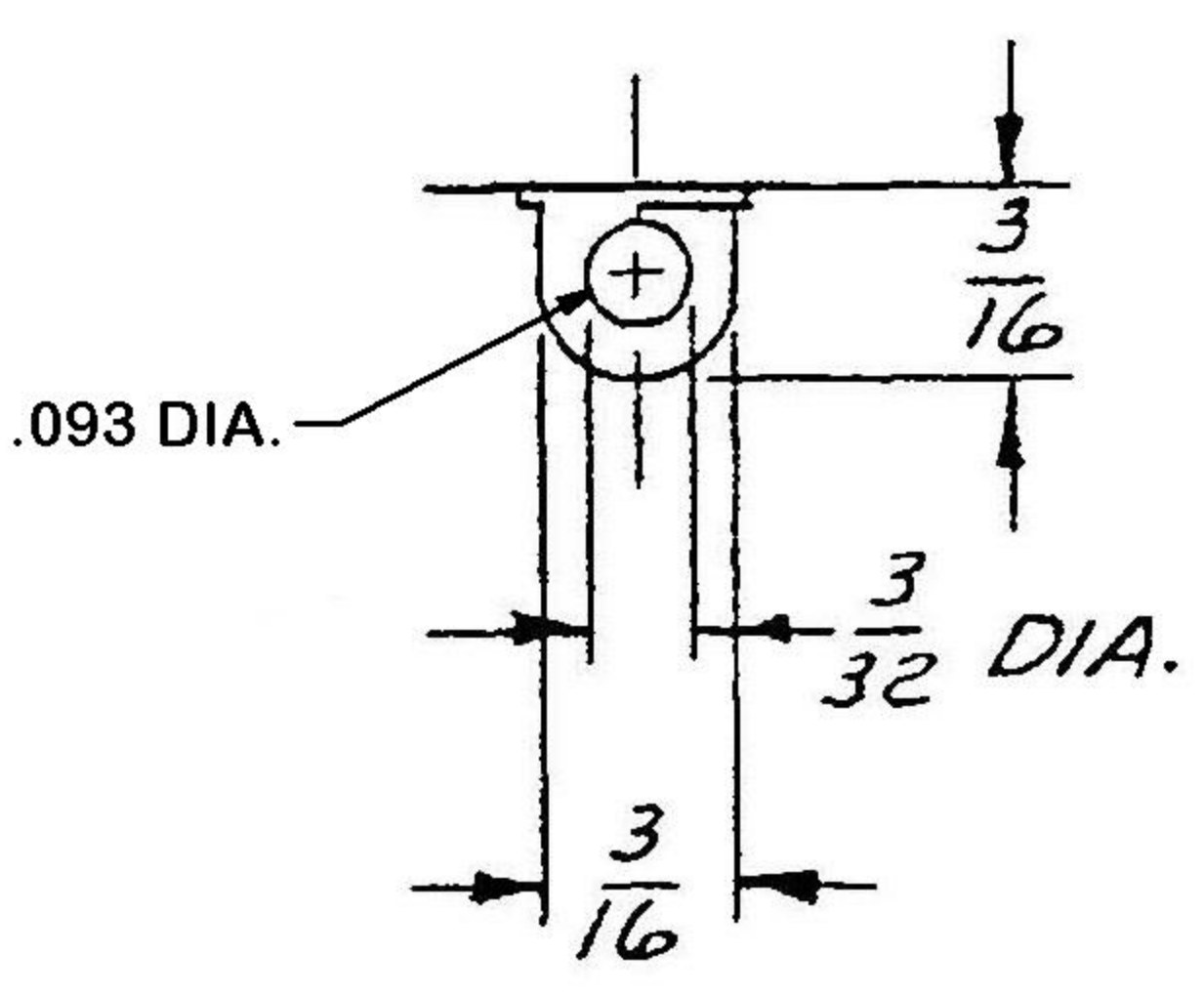
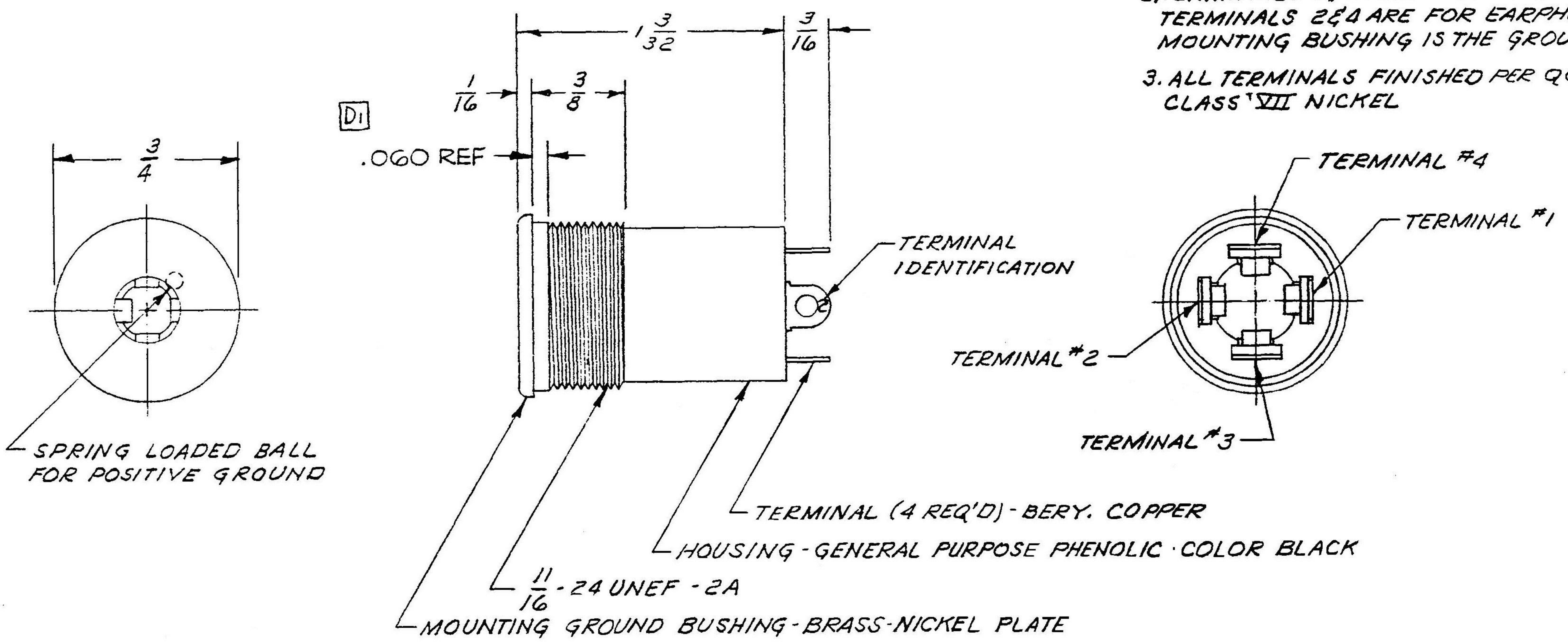


B TJT-125

- NOTES:**
 1. ASSEMBLY TO MAKE CONTACT WITH TELEPHONE PLUG NEXUS TP-125.
 2. TERMINALS 1 & 3 ARE FOR MICROPHONE CIRCUIT, TERMINALS 2 & 4 ARE FOR EARPHONE CIRCUIT, MOUNTING BUSHING IS THE GROUND
 3. ALL TERMINALS FINISHED PER QQ-N-290 TYPE 1 CLASS VII NICKEL



TERMINAL DETAIL

DWN. BY <i>M. Ambro</i>		DATE 9-9-69	MATERIAL	
CHECKED BY			FINISH	
APPR. BY			WEIGHT	SCALE 2:1
			TITLE PHONE JACK ASSEMBLY FIVE CONDUCTOR	
			<div style="text-align: right; font-weight: bold; font-size: 1.2em;">NEXUS</div> STAMFORD, CONN.	
D 1) NOTE WAS FULL THREAD TO WITHIN .060"		2/4/30	SIZE DWG. NO. B TJT-125	
C REDRAWN		9969		
LET.	REVISION	DATE	CHK.	UNLESS OTHERWISE SPECIFIED DIMENSIONS ARE IN INCHES TOLERANCES ON FRACTIONS DECIMALS ANGLES
				DO NOT SCALE DWG. SHEET OF