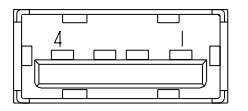
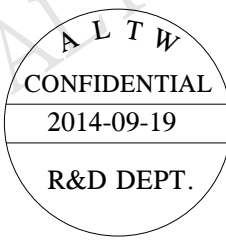
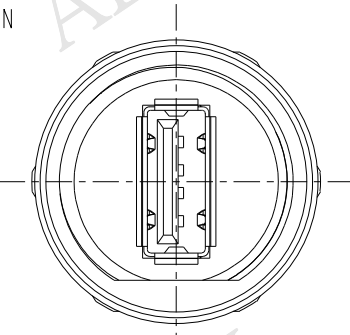
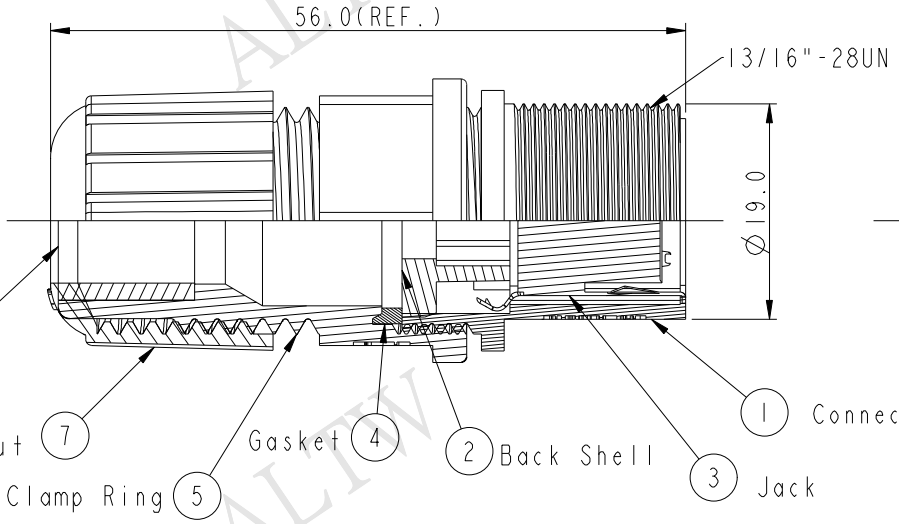
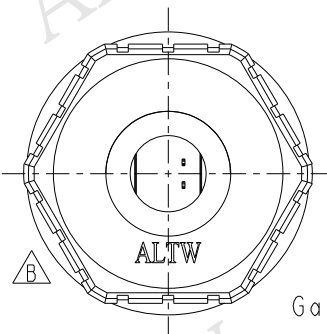


REV.	ECN NO.	DATE	SIGN	DESCRIPTION
B	LEN1490381	2014/09/19	Lu Di	Update Logo



Pin Assignments Front View 前視圖

- Note:
1. Seals For Cable OD:  $\varnothing 5.0\text{mm} \sim \varnothing 10.8\text{mm}$  (防水墊圈線徑)
  2. One Set Unassembly In One PE Bag (每一組未組裝放於一個PE袋並封上)
  3.  $\varnothing$  Important Dimension ( $\varnothing$  為重點檢驗尺寸)

UNIT:mm		TITLE		ITEM NO.	DRAWN BY	DATE
		USB A Type Male Connector Assembly		UA-20BMFA-SL8001	Lu Di	2014/09/19
TOLERANCE		SCALE	SIZE	DWG NO.	CHECKED BY	DATE
.X ±0.25		3:2	A4	UA-20BMFA-SL8001	Mafei	2014/09/19
.XX ±0.1		REV.	WC-REV.	CUSTOMER	APPROVED BY	DATE
.XXX ±0.05		B	A.4	ALTW	Jerry	2014/09/19
ANGLES ±1°		$\varnothing$ : Inspection item				

**Amphenol LTW**  
安費諾亮泰企業股份有限公司

THIS DOCUMENT IS SUBJECT TO CHANGE WITHOUT NOTICE. IT IS CONFIDENTIAL AND A PROPERTY OF Amphenol LTW. DISCLOSURE TO THIRD PARTY HAS TO BE AUTHORIZED BY Amphenol LTW.