

TK Series

Three Phase Book Shelf Type EMI Filter

These series range of three phase filters with book shelf design is designed for motor drive applications requiring minimum space and convenient installation with superior performance at significant interference levels.



FEATURES

- 3 Phase filters for drives/invertors
- Compact/Light Weight/Cost Effective
- Bookshelf Design
- 7A to 150A Current rating

APPLICATIONS

- AC/DC Drives
- Generator
- Wind Turbine
- Fuel Cells
- Elevators

SERIES SPECIFICATIONS

Part No.	Rated current @40°C	Termination	Weight (kg)
TKA-007	7A	41	0.7
TKA-016	16A	41	0.8
TKA-030	30A	41	0.8
TKA-042	42A	10	1.2
TKA-055	55A	10	2
TKA-075	75A	16	2
TKA-100	100A	25	3
TKA-120	120A	50	4
TKA-150	150A	50	4

CHARACTERISTICS

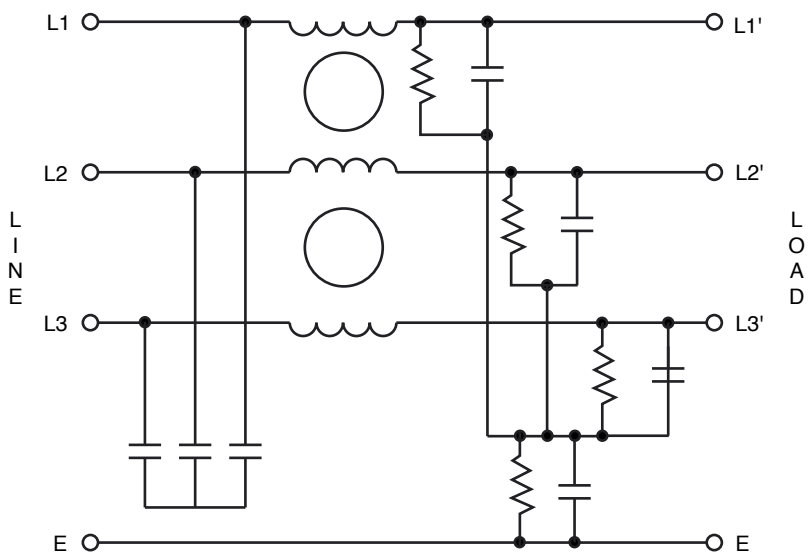
Max. Cont. Oper. Voltage	440/520/600VAC
Operating Frequency	50/60Hz
Current ratings	7A to 150A @40°C
High Potential test voltage	L to G 2660Vdc for 1 Minute; L to L 1950Vdc for 1 Minute
Overload Capability	135% of Rated current for 15 minutes
Design	corresponding to UL 60939-3, CSA 22.2 No.8-13 and IEC 60939
Flammability	corresponding to UL 94 V-0
Temperature range	-25°C to +85°C
Climatic Category	25/85/21
Enclosure Material	Aluminium

(continued)

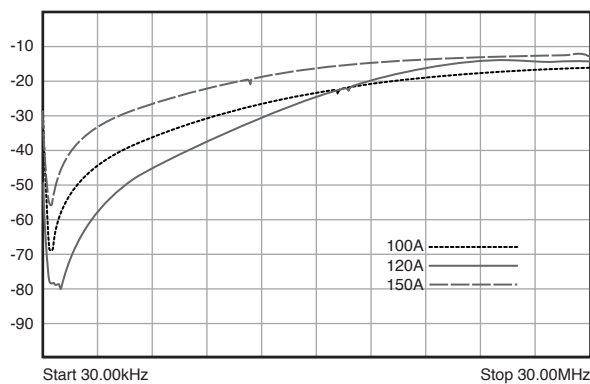
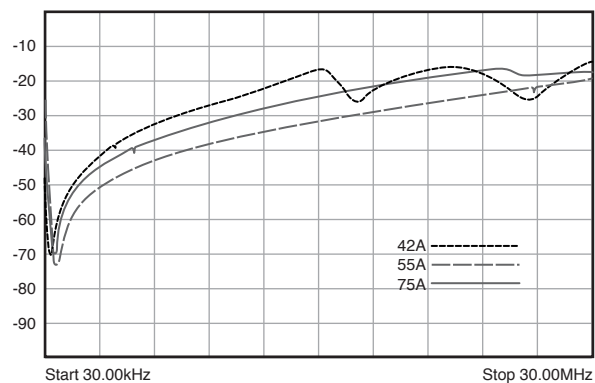
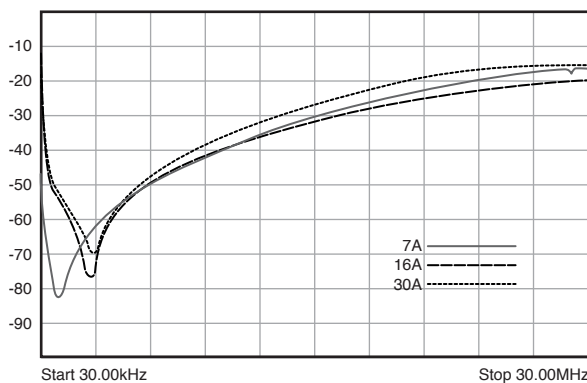
TK Series

Three Phase Book Shelf Type EMI Filter

CIRCUIT DIAGRAM



INSERTION LOSS



(continued)