

## 1 Product Description

The TLE4922 is an active mono cell Hall sensor suited to detect motion and position of ferromagnetic and permanent magnet structures. An additional self-calibration module has been implemented to achieve optimum accuracy during normal running operation.

### 1.1 Target Application

The TLE4922 is a speed sensor especially optimized for small engine (2- and 3-wheeler) applications.

- **Crankshaft** speed and position sensing
- **Transmission** speed on output shaft
- **Speedometer** application

Excellent sensitivity and accuracy combined with its wide operational temperature range makes the sensor ideally suited for harsh environments.

### 1.2 Key Features and Benefits

- Twist independent mounting (**TIM**) “enables one sensor fits all”
- Small thin package (PG-SSO-4-1)
- Protected against harsh environment due to
  - **Short-circuit current protection** at the output
  - **Over temperature shutdown** at the output and
  - **Reverse voltage protection**
- Supreme performance due to adaptive symmetrical hysteresis / threshold
- **Independent of back bias magnet polarity** due to  $\pm 400\text{mT}$  full scale range
- Enhanced EMC & ESD robustness - ESD :  $\pm 3\text{kV HBM}$
- Wide operating temperature range -  $T_{\text{junction}}$  :  $-40\text{ }^{\circ}\text{C} - 155\text{ }^{\circ}\text{C}$
- True **zero speed** up to 8kHz signal frequency
- Enabling Low Power Application: **I<sub>dd</sub> = 5mA** at  $V_{\text{DD}} = 9\text{V}$
- Large operating voltage range of 4.5V up to 18V
- Robustness against wheel run outs enables to **sense broad range of wheels**

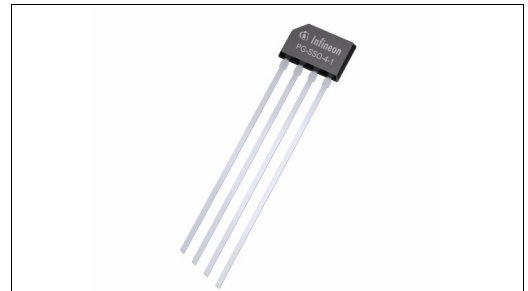


Figure 1-2 Package PG-SSO-4-1

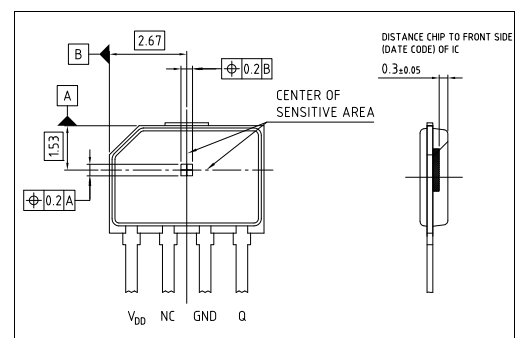


Figure 1-3 Pinning, Sensitive Area

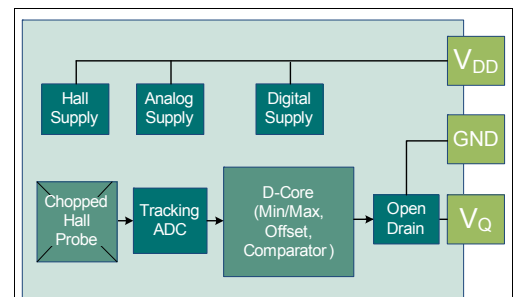


Figure 1-4 Blockdiagram TLE4922

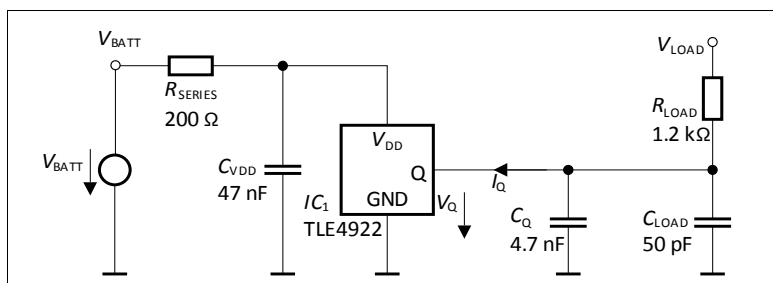


Figure 1-1 Application circuit TLE4922

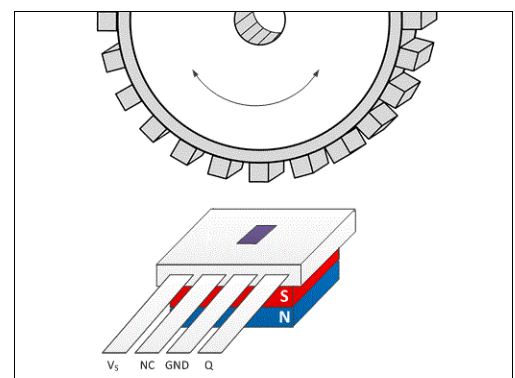


Figure 1-5 Wheel with sensor

| Product Type  | Marking | Ordering Code | Package    |
|---------------|---------|---------------|------------|
| TLE4922-XIN-F | 22BAA2  | SP001154230   | PG-SSO-4-1 |

## 2 Specification

The listed characteristics are ensured over the operating range and lifetime of the integrated circuit.

### 2.1 Absolute Maximum Ratings

**Table 2-1 Absolute Maximum Ratings**

| Parameter            | Symbol         | Values |      |      | Unit             | Note or Test Condition                   |
|----------------------|----------------|--------|------|------|------------------|--|
|                      |                | Min.   | Typ. | Max. |                  |  |
| Supply voltage       | $V_S$          | -18    | -    | -    | V                |  |
|                      |                | -      | -    | 18   | V                |  |
|                      |                | -      | -    | 24   | V                | max. 1 hour                              |
|                      | $V_{SAC}$      | -      | -    | 30   | V                | max. 1 min with $R_{SERIES} = 200\Omega$ |
| Output OFF voltage   | $V_Q$          | -1     | -    | -    | V                | max. 60 min @ $T_A = 25^\circ\text{C}$   |
|                      |                | -0.3   | -    | 18   | V                |  |
| Output ON voltage    | $V_Q$          | -      | -    | 18   | V                |  |
| Junction temperature | $T_J^{1)}$     |        |      | 195  | $^\circ\text{C}$ | 3h                                       |
| Overall lifetime     | $T_{Pol}^{2)}$ | -40    | -    | 150  | $^\circ\text{C}$ | 0.5 years                                |
|                      |                | -40    | -    | 50   | $^\circ\text{C}$ | 15 years                                 |
| ESD compliance       | $ESD_{HBM}$    | -3     | -    | 3    | kV               | HBM according ANSI/ESDA/JEDEC JS-001     |

- 1) In temperature range between operating temperature and absolute maximum temperature no functionality is guaranteed.  
 2) Maximum exposure time at other junction temperatures shall be calculated based on the values specified using the Arrhenius-model.

*Note:* Stresses above the max. values listed here may cause permanent damage to the device. Exposure to absolute maximum rating conditions for extended periods may affect device reliability. Maximum ratings are absolute ratings; exceeding only one of these values may cause irreversible damage to the integrated circuit.

### 2.2 Operating Range

The following operating conditions must not be exceeded in order to ensure correct operation of the IC. All parameters specified in the following sections refer to these operating conditions unless otherwise mentioned.

**Table 2-2 Operating Range**

| Parameter                                | Symbol     | Values                 |      |      | Unit             | Note or Test Condition |
|--|------------|------------------------|------|------|------------------|------------------------|
|  |            | Min.                   | Typ. | Max. |                  |                        |
| Supply voltage                           | $V_S$      | 4.5                    | -    | 18   | V                |                        |
| Continuous output ON current             | $I_Q$      | -                      | -    | 8.8  | mA               |                        |
| Operating junction temperature           | $T_J^{1)}$ | -40                    | -    | 155  | $^\circ\text{C}$ | 5000h                  |
| Frequency range of magnetic input signal | $f$        | <b>0</b> <sup>2)</sup> | -    | 8000 | Hz               |                        |

- 1) Typical  $R_{th_{JA}}$  is 170K/W. As soon as back bias magnet is attached or customer mold covers the TLE4922 this value will decrease due to larger surface and mass of the module. Maximum exposure time at other junction temperatures shall be calculated based on the values specified using the Arrhenius-model.  
 2) Maximum one additional pulse may occur due to temperature variation during stand still.

## 2.3 Electrical Characteristics

**Table 2-3 Electrical Parameters**

| Parameter                                  | Symbol            | Values |      |      | Unit         | Note or Test Condition   |
|--|-------------------|--------|------|------|--------------|--|
|  |                   | Min.   | Typ. | Max. |              |  |
| Supply current                             | $I_S$             | 3.5    | 5.3  | 7.0  | mA           |  |
| Output saturation voltage                  | $V_{QSAT}$        | -      | 0.15 | 0.4  | V            | $I_Q = 8.8$ mA   |
| Output leakage current                     | $I_{QLEAK}$       | -      | -    | 10   | $\mu$ A      |  |
| Current limit for short-circuit protection | $I_{QSHORT}^{1)}$ | 37     | 44   | 52   | mA           |  |
| Junction temperature for output protection | $T_{PROT}^{1)}$   | 175    | 195  | 215  | $^{\circ}$ C | Output will shut down (high impedance) when exceeded   |
| Power on time                              | $t_{ON}^{1)}$     | -      | 0.7  | 0.9  | ms           |  |
| Output fall time                           | $t_f^{2)}$        | 2.2    | 2.8  | 3.8  | $\mu$ s      | $V_{LOAD} = 5$ V, $C_{LOAD} = 4.7$ nF, $R_{LOAD} = 1.2$ k $\Omega$   |
| Output rise time                           | $t_r^{1)2)}$      | 1      | -    | 20   | $\mu$ s      | $V_{LOAD} = 5$ V, $C_{LOAD} = 4.7$ nF, $R_{LOAD} = 1.2$ k $\Omega$   |
| Delay time                                 | $t_d^{1)3)}$      | 12.5   | 18   | 23.5 | $\mu$ s      | $V_{LOAD} = 5$ V, $C_{LOAD} = 4.7$ nF, $R_{LOAD} = 1.2$ k $\Omega$ , $f = 5$ kHz, see <a href="#">Figure 2-1</a> |

1) Parameter is characterized by simulation/verification

2) Time between 20% and 80% value of  $V_{LOAD}$

3) Only valid for the falling edge

## 2.4 Magnetic Characteristics and Self-Calibration Characteristics

**Table 2-4 Magnetic Characteristics and Self-Calibration Characteristics: 10 Gauss = 1mT**

| Parameter   | Symbol                    | Values |           |           | Unit             | Note / Test Condition  |
|---|---------------------------|--------|-----------|-----------|------------------|--|
|   |                           | Min.   | Typ.      | Max.      |                  |  |
| Linear Region   | $B_{LR}^{1)}$             | -400   | -         | 400       | mT               |  |
| Peak to peak magnetic hysteresis                                    | $B_{MIN}^{1)}$            | 2.0    | 3.0       | 5.3       | mT               | Full frequency range   |
|   |                           | 2.0    | 3.0       | 3.8       | mT               | Up to 3kHz signal frequency  |
| Temperature compensation of magnetic hysteresis                     | $TC_{Bmin}$               | -      | -650      | -         | ppm              | Temperature range from 25 $^{\circ}$ C to 150 $^{\circ}$ C   |
| Back Bias Magnet Range  | $B_{BIAS}$                | -400   | -         | 400       | mT               | At $T_a = 25^{\circ}$ C, please notice relation between back bias magnet and linear region as described in user manual |
| Duty Cycle  | $DC^{2)}$                 | 40     | 50        | 60        | %                |  |
|   |                           | 30     | 50        | 70        | %                | Including EMC (magnetic distortion)  |
| Number of falling output edges required to be calibrated            | $n_{Calib}^{2)3)}$        | -      | -         | 3         | -                | At 4 <sup>th</sup> falling edge full accuracy reached.   |
| Relative phase error in calibrated mode                             | $\varphi_{rel}^{2)4)}$    | -      | $\pm 0.3$ | $\pm 1.5$ | $^{\circ}$ crank | Forward and backward rotational direction. Temperature and airgap included.  |
| Output falling edge repeatability (phase jitter) in calibrated mode | $\varphi_{jitter}^{2)4)}$ | -      | 0.05      | 0.2       | $^{\circ}$ crank | 99.7 %, 3 pulses out of 1000 above limit. Equivalent to $\pm 3\sigma$ of a Gaussian distribution.                      |

1) is calculated out of measured sensitivity

2) Parameter is characterized by simulation/verification

3) Maximum one additional pulse may occur due to temperature variation during stand still

4) Performance measured on wheel described in [Chapter 2.6](#) within air gap range 0.5mm to 3.2mm

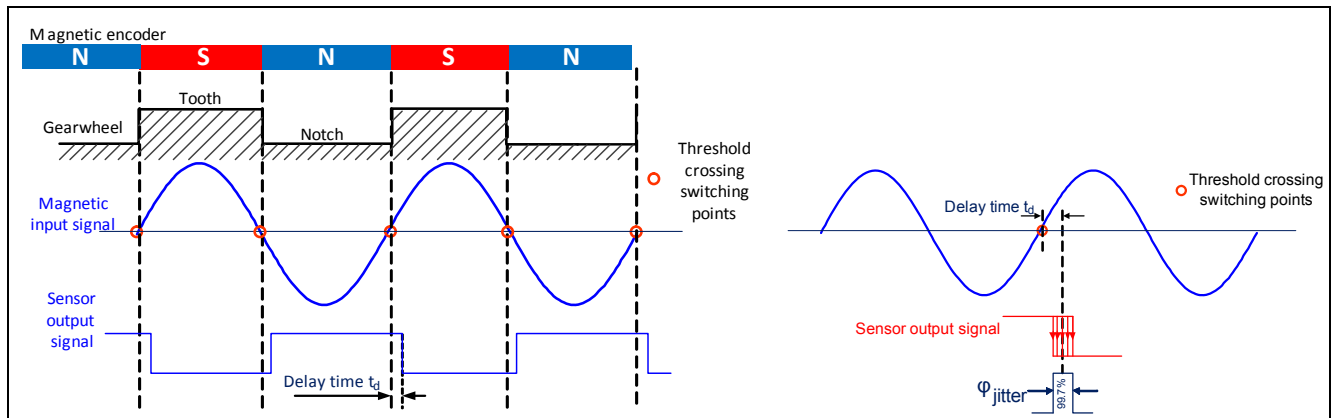


Figure 2-1 Phase error and delay time definition

Phase jitter definition

## 2.5 Electromagnetic Compatibility (EMC)

The TLE4922 is characterized according to the IC level EMC requirements described in the “Generic IC EMC Test Specification” Version 1.2 from 2007<sup>1)</sup>. Additionally, component level EMC characterizations according to ISO 7637-2:2011, ISO 7637-3:2007 and ISO 16750-2:2010 regarding pulse immunity and CISPR 25 (2009-01) Ed. 3.0 regarding conducted emissions are performed.

Figure 1-1 on first page outlines all needed external components to operate the DUT under application conditions. They are treated as inherent part of the DUT during component level EMC characterizations.

Note: Characterisation of Electro Magnetic Compatibility (EMC) are carried out on sample base of one qualification lot. Not all specification parameters are monitored during EMC exposure. Only key parameters e.g. switching current and duty cycle are monitored.

| Parameter                  | Symbol    | Level  | Class |
|----------------------------|-----------|--------|-------|
| Testpulse 1                | $V_{EMC}$ | -100 V | C     |
| Testpulse 2a <sup>1)</sup> |           | 100 V  | A     |
| Testpulse 2b               |           | 10 V   | C     |
| Testpulse 3a               |           | -150 V | A     |
| Testpulse 3b               |           | 100 V  | A     |
| Testpulse 4 <sup>2)</sup>  |           | -7 V   | C     |
| Testpulse 5b <sup>3)</sup> |           | 86.5 V | A     |

- 1) ISO 7637-2 (2004) describes internal resistance = 2Ω.
- 2) According to 7637-2 for test pulse 4 the test voltage shall be 12 V +/- 0.2 V.
- 3) A central load dump protection of 35V is used.

1) The document is available online at <http://www.zvei.org/Verband/Publikationen/Seiten/Generic-IC-EMCTest-Specification-english.aspx>

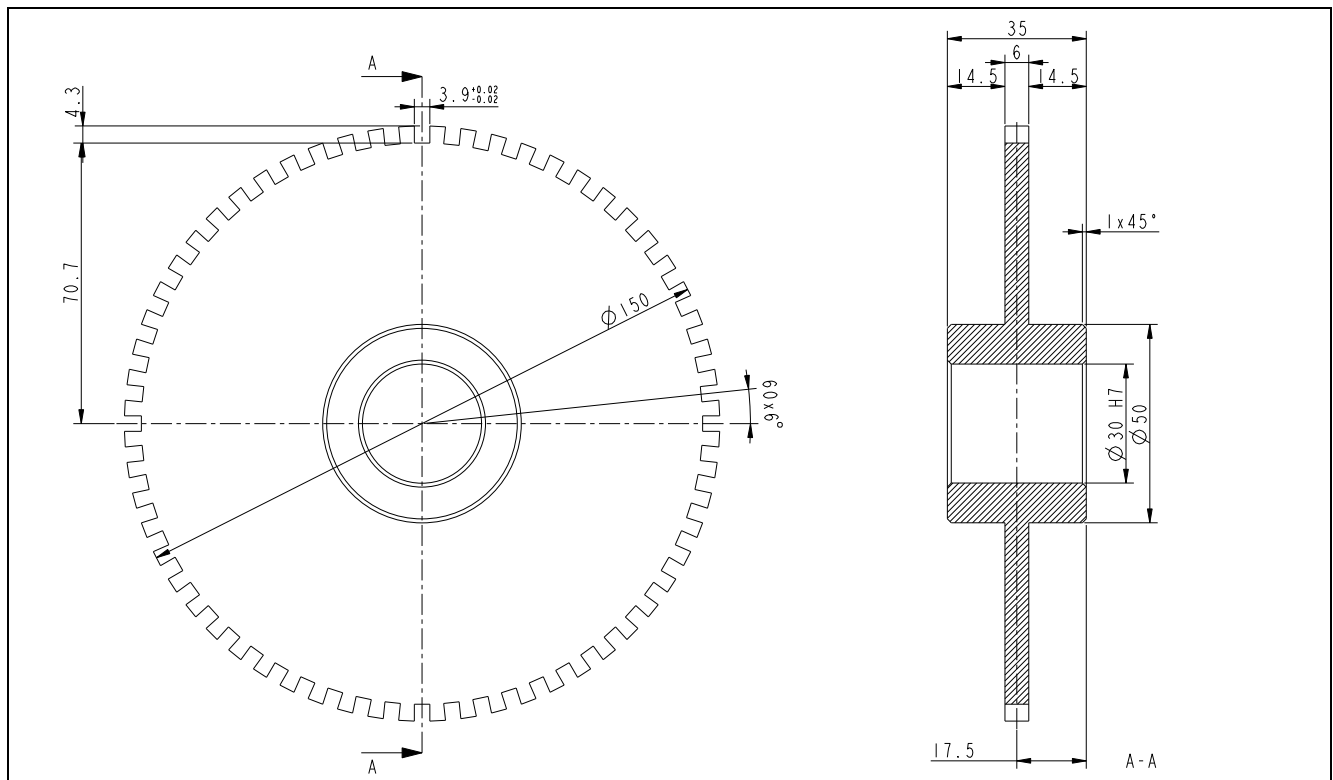
## 2.6 Reference Target Wheel

**Table 2-5** Toothed wheel performance

| Parameter  | Symbol           | Values |      |      | Unit | Note or Test Condition  |
|--|------------------|--------|------|------|------|---|
|  |                  | Min.   | Typ. | Max. |      |   |
| Operational IC air-gap   | $AG^{1)2)}$      | -      | -    | 3.2  | mm   | Field strength of 300mT at 0.7mm above surface of back-bias magnet (is sensitive area of TLE4922) |
| Air-gap variation over one complete target revolution. Global run-out. | $AG_{GLRO}^{1)}$ | -      | -    | 0.5  | mm   | Difference between min. and max. air-gap over one complete target revolution.                     |

1) Parameter is characterized by verification

2) Measured from surface of package to toothed wheel, explained in [Figure 2-2](#).



**Figure 2-2** Infineon reference toothed wheel: dimension in mm

**Table 2-6** Reference target wheel geometry

| Parameter         | Typ value | Unit | Remarks |
|-------------------|-----------|------|---------|
| Material          | ST37      | -    |         |
| Tooth notch ratio | 1.00      |      |         |

## 2.7 Performance Graphs

Following graphs of typical sensor behavior will help to optimize application performance:

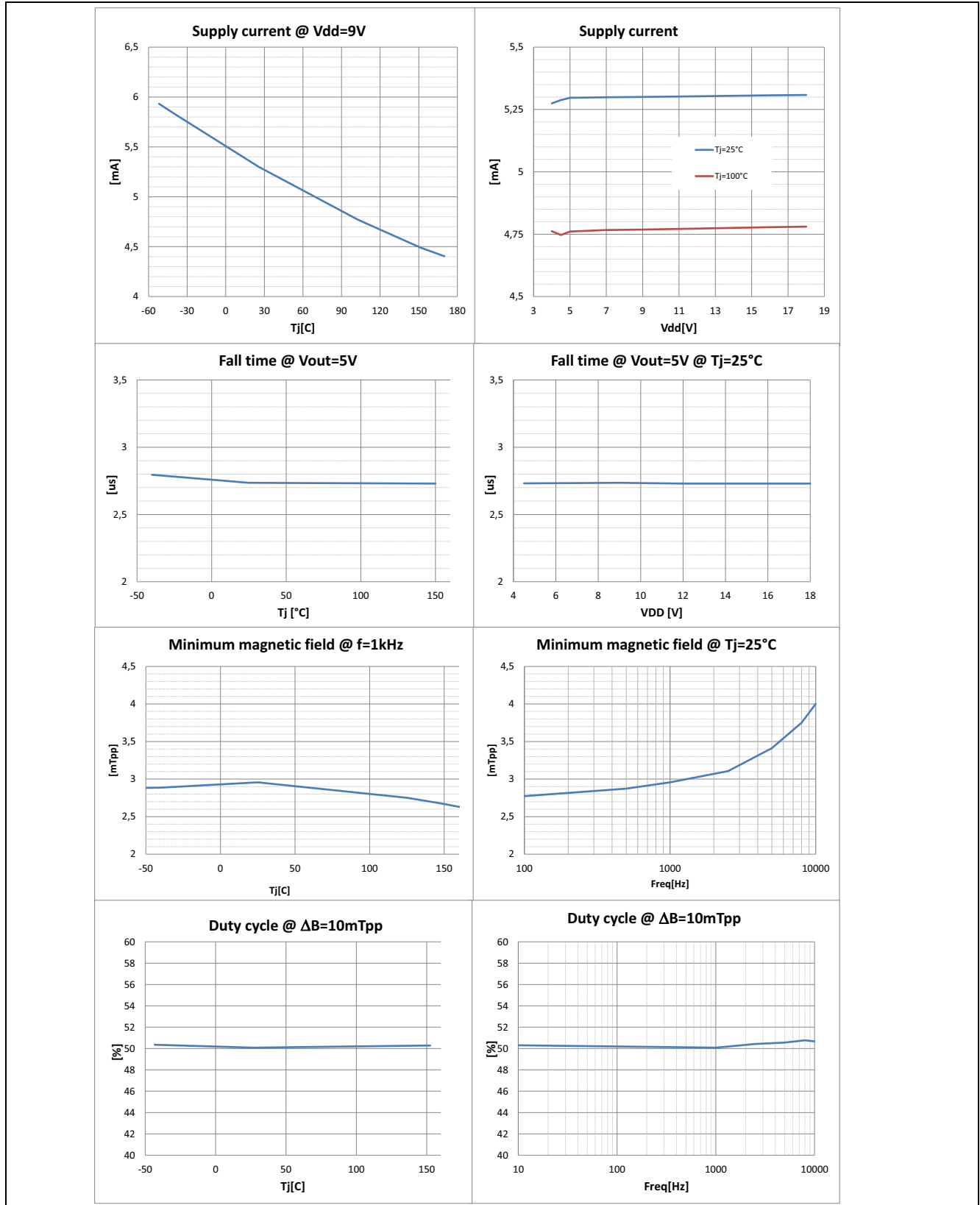


Figure 2-3 Typical Performance

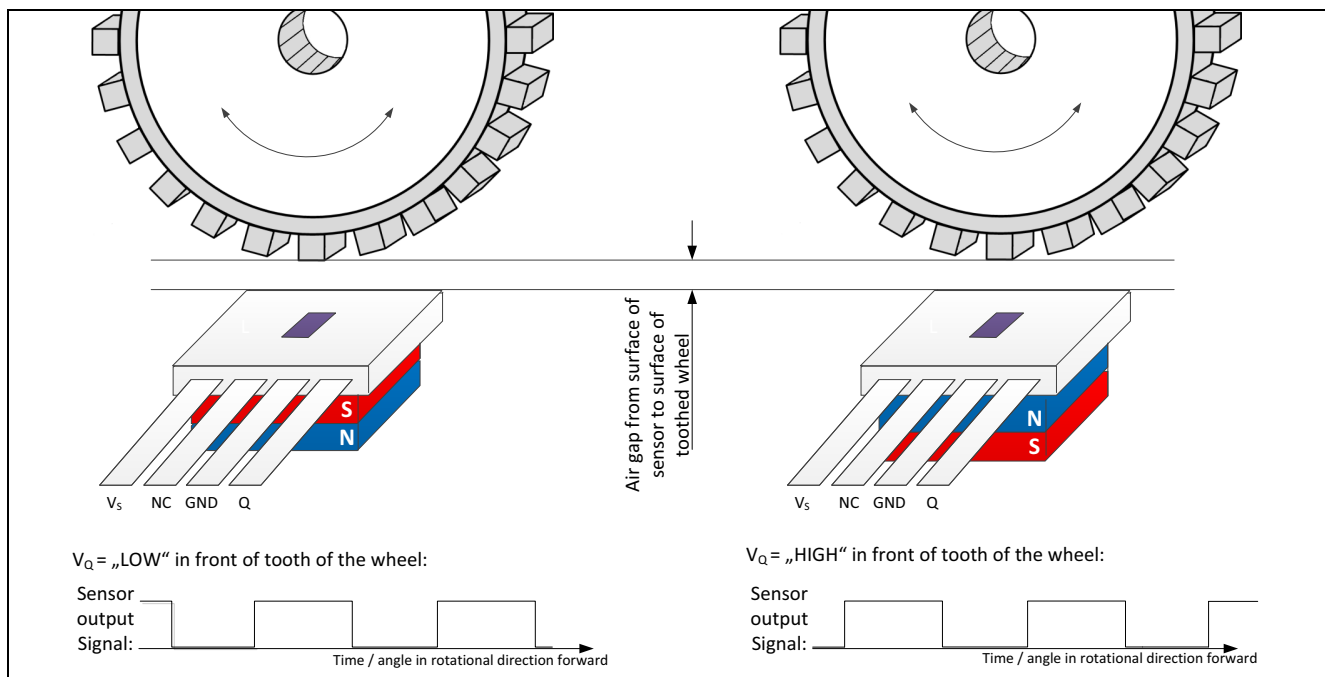
## 2.8 Application

### Basic functionality

The TLE4922 is a mono-cell Hall sensor with analog to digital converter and full digital signal processing for detecting the magnetic field crossing of the threshold levels. A chopped Hall probe is used to mimic the offset and has advantages for 0-Hz feature. **Figure 2-1** shows the basic functionality of TLE4922.

### Unique Feature: Polarity of Pre Induction

The back bias magnet can be mounted in both directions to TLE4922 without any difference in performance. One polarity results in switching the output to “LOW” when passing a tooth and to “HIGH” when passing a notch, whereas the other polarity of back-bias magnet will switch the output to “HIGH” when passing a tooth and to “LOW” when passing a notch.



**Figure 2-4** Changing polarity of back bias magnet will change the polarity of TLE4922 output

### Start-Up and Running Mode

In Start-Up-Mode the TLE4922 starts with output at “HIGH” and stays there until a first minimum in magnetic field is detected after start-up time. Calibrated mode is reached after a maximum of four output transitions (The offset compensation algorithm is considering 4 teeth for averaging). At the 4<sup>th</sup> falling edge full accuracy on output signal is reached. These first transitions are determined by the detection of magnetic signal maxima and minima. Output transitions in running phase are determined by the hidden adaptive hysteresis algorithm.

### Application circuit

**Figure 1-1** on page one shows an option of an application circuit. The resistor  $R_S$  is recommended due to reason of EMC. The resistor  $R_L$  has to be at a value to match the applied  $V_{ECU}$  to keep  $I_Q$  limited to the operating range of maximal 8.8mA. e.g.:  $V_{LOAD} = 9V$ ;  $I_Q = 9V/1200 \Omega = 7.5mA$

### Consideration on $R_{thJA}$

The  $R_{th}$  is modified by attaching a back-bias magnet or doing molding at the customer. There is dependency on the attached wires: The thicker the attached wire the smaller the value of  $R_{th}$ . It depends on ambient condition: When one end of the module is cooled in oil or through air-flow the  $R_{thJA}$  will decrease.

### Global run out

Due to averaging, global run out is depending on the number of teeth. The wheel in **Chapter 2.6** allows a global run out of 0.8mm. Wheels with equal or more than 8 teeth are capable of up to 0.5mm global run out.

### 3 Package Information

#### Green Product (RoHS compliant)

To meet the world-wide customer requirements for environmentally friendly products and to be compliant with government regulations the device is available as a green product. Green products are RoHS-Compliant (i.e Pb-free finish on leads and suitable for Pb-free soldering according to IPC/JEDEC J-STD-020).

#### 3.1 Package Information PG-SSO-4-1

Pure tin covering (green lead plating) is used. The product is RoHS (Restriction of Hazardous Substances) compliant and marked with letter G in front of the data code marking and may contain a data matrix code on the rear side of the package (see also information note 136/03). Please refer to your key account team or regional sales if your need further information.

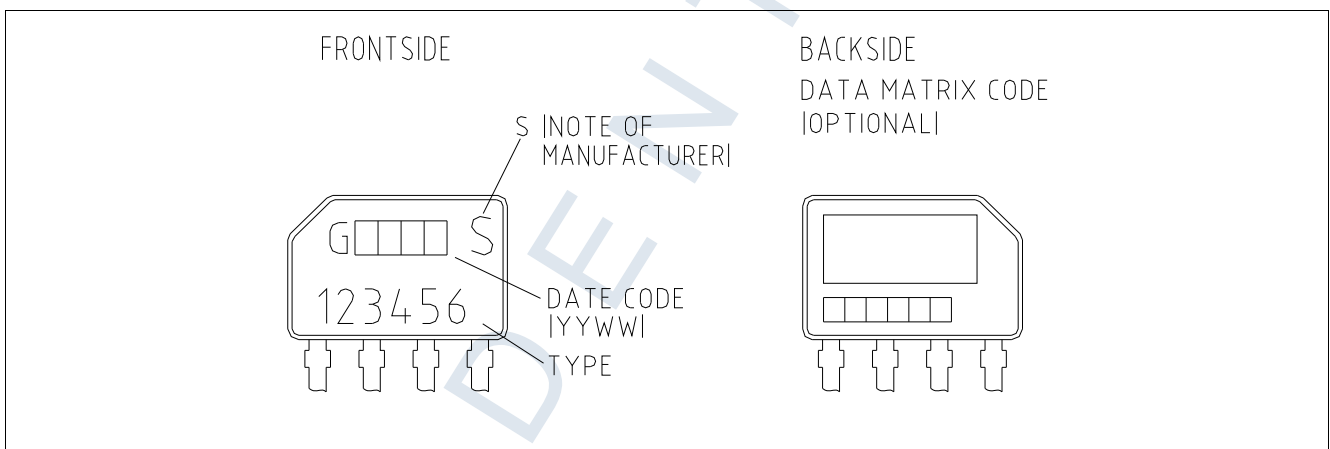


Figure 3-1 Marking pattern

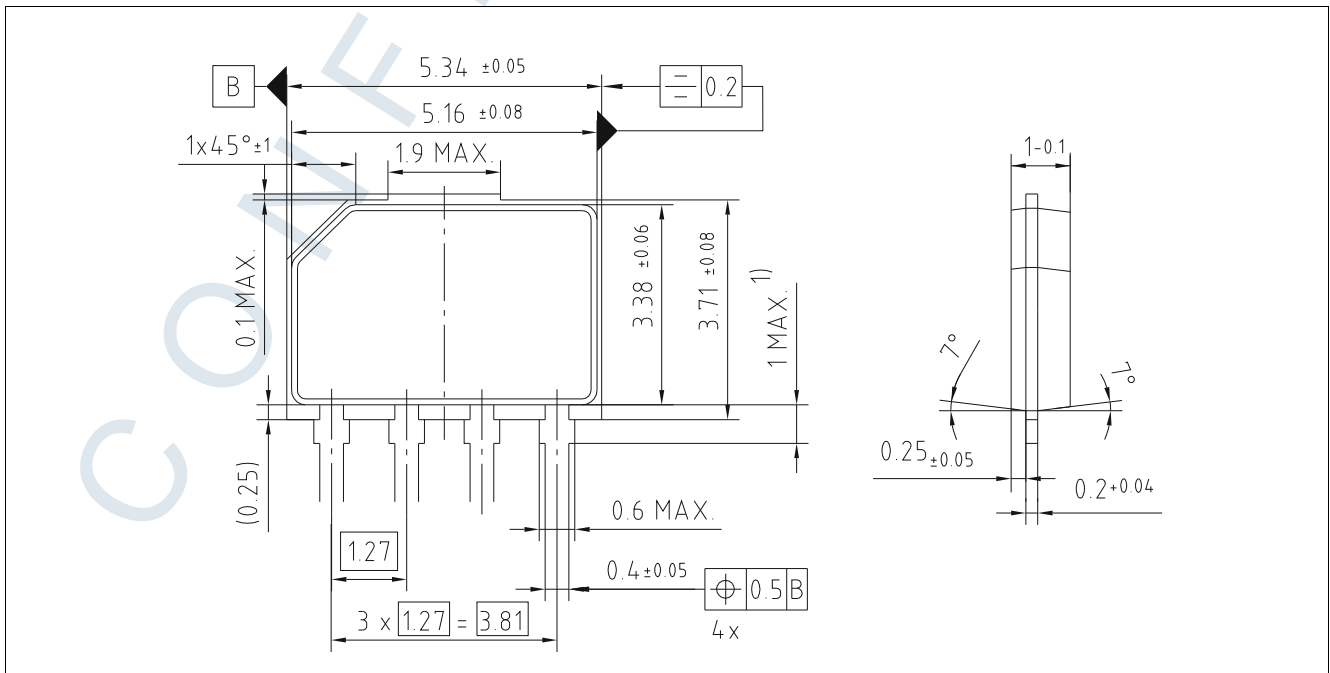


Figure 3-2 PG-SSO-4-1 package dimensions, dimensions in mm



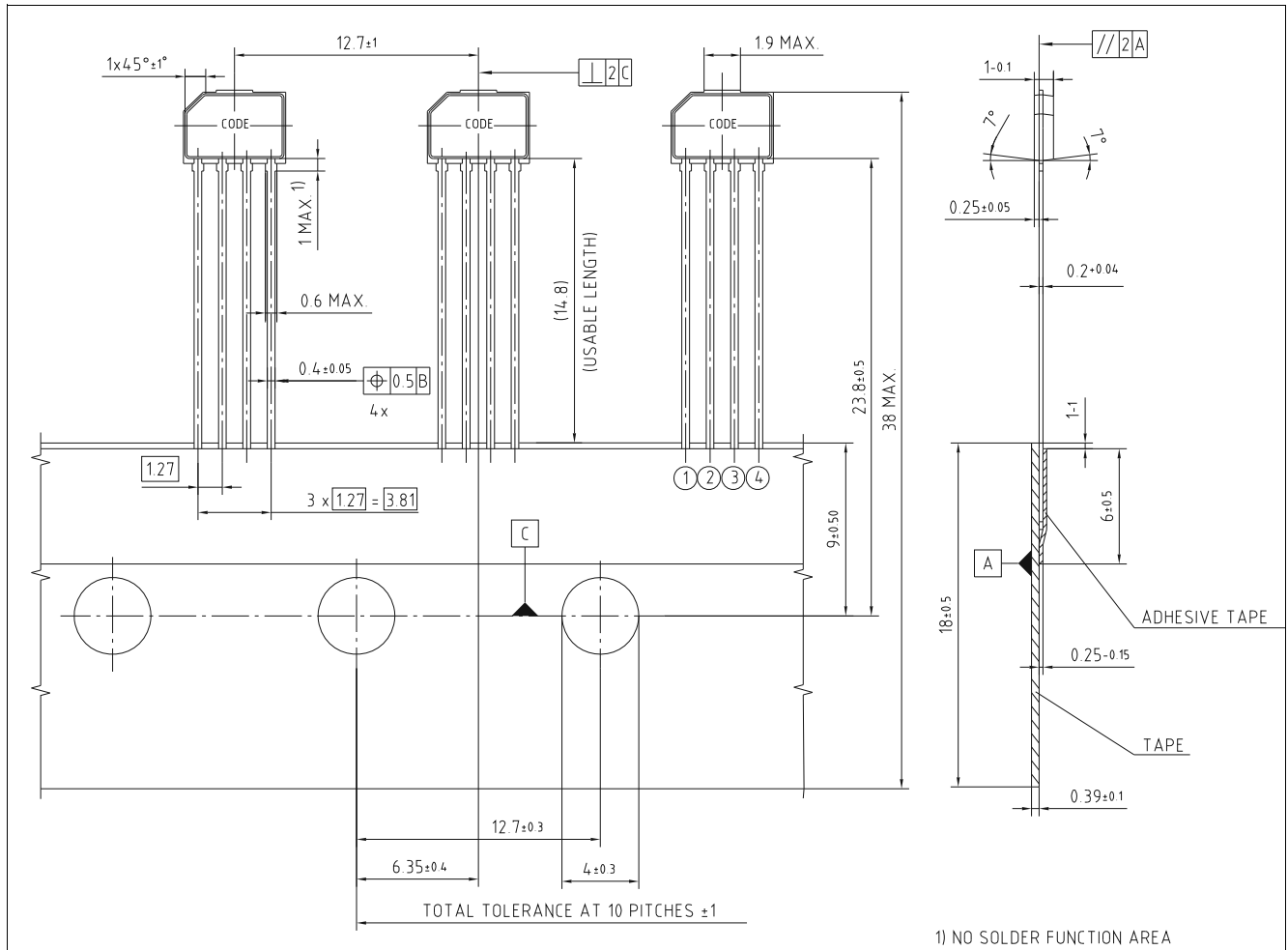


Figure 3-3 PG-SSO-4-1 packaging, dimensions in mm

---

**Revision History**

**4 Revision History**

| <b>Revision</b> | <b>Date</b> | <b>Changes</b>  |
|-----------------|-------------|-----------------|
| 1.0             | 2016-11-21  | Initial release |
|                 |             |                 |