



Main

Range of Product	Modicon M171
Product or Component Type	Communication module
Communication Port Protocol	BACnet IP SMTP HTTP Ethernet Modbus TCP Modbus RTU RS485 BACnet MS/TP

Complementary

Integrated connection type	Ethernet RJ45 - twisted pair RS485 wire crimp - twisted pair
Adjustment	Pitch 3.81 mm
Electrical connection	Removable screw terminal block
Physical interface	90° insertion - 0.00 in ² (2.5 mm ²) cable RJ45
Supply	Via base board EVD/EVC
Product Compatibility	Logic controller M171 performance
Net Weight	0.17 lb(US) (0.077 kg)

Environment

Product Certifications	CE CSA CURus EAC
Marking	CE
IP Degree of Protection	IP20
Ambient Air Temperature for Operation	14...131 °F (-10...55 °C)
Ambient Air Temperature for Storage	-4...185 °F (-20...85 °C)
Relative Humidity	10...90 % without condensation

Ordering and shipping details

Category	22537-M171 / M172 HVAC CONTROLLERS
Discount Schedule	PC12
GTIN	3606480752513
Returnability	No
Country of origin	IT

Packing Units

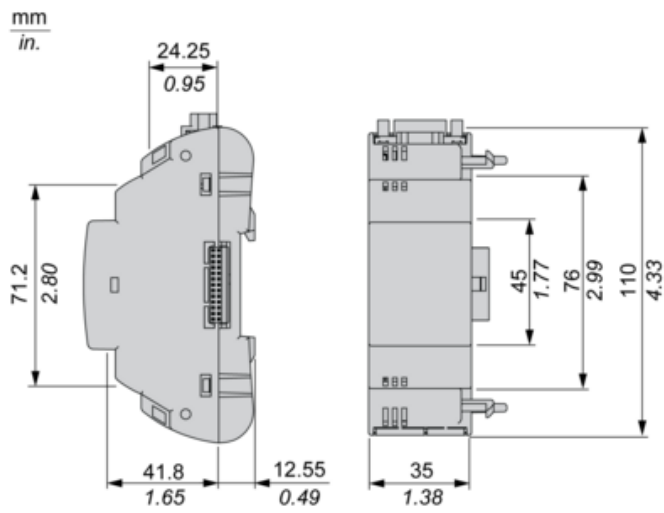
Unit Type of Package 1	PCE
Number of Units in Package 1	1
Package 1 Height	5.20 in (13.2 cm)
Package 1 Width	3.58 in (9.1 cm)
Package 1 Length	7.36 in (18.7 cm)
Package 1 Weight	6.13 oz (173.9 g)

Unit Type of Package 2	S02
Number of Units in Package 2	6
Package 2 Height	5.91 in (15.0 cm)
Package 2 Width	11.81 in (30.0 cm)
Package 2 Length	15.75 in (40.0 cm)
Package 2 Weight	2.98 lb(US) (1.351 kg)

Offer Sustainability

California proposition 65	WARNING: This product can expose you to chemicals including: Lead and lead compounds, which is known to the State of California to cause cancer and birth defects or other reproductive harm. For more information go to www.P65Warnings.ca.gov
REACH Regulation	REACH Declaration
REACH free of SVHC	Yes
EU RoHS Directive	Pro-active compliance (Product out of EU RoHS legal scope) EU RoHS Declaration
Mercury free	Yes
China RoHS Regulation	China RoHS Declaration
RoHS exemption information	Yes
WEEE	The product must be disposed on European Union markets following specific waste collection and never end up in rubbish bins.
Upgradeability	Upgradeable through digital modules and upgraded components

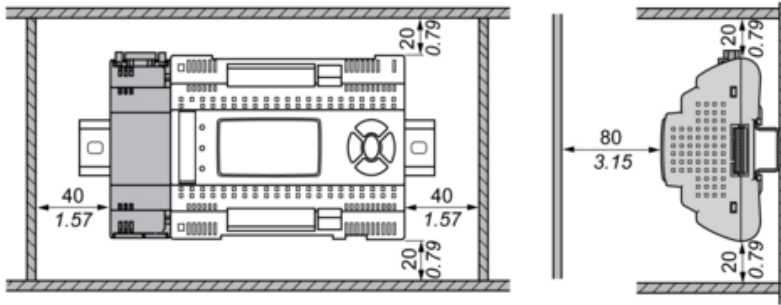
Dimensions



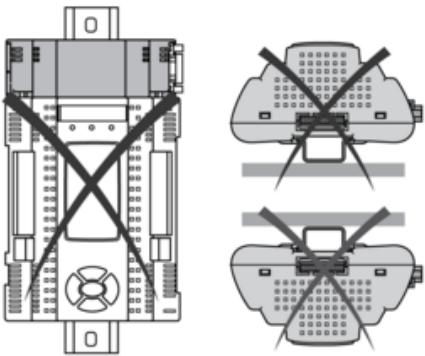
Mounting and Clearance

Clearance

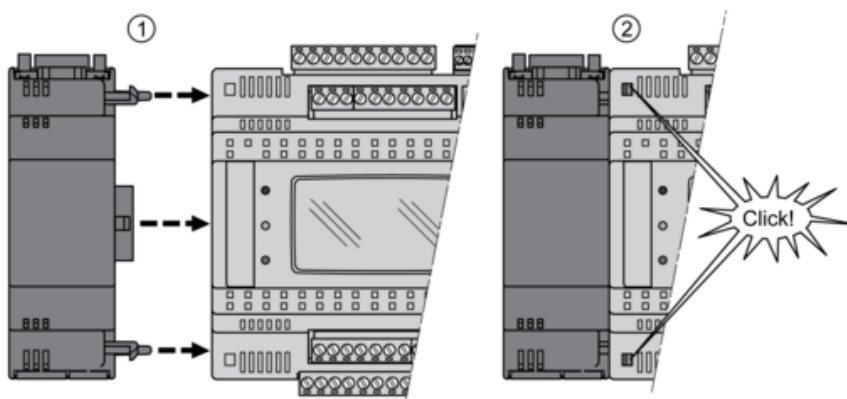
mm
in.



Misplacement



Mounting on Controller



Dismounting

