



Main

Range of Product	Modicon M171
Product or Component Type	Display module
Display colour	Monochrome
Supply	External source

Complementary

Display Type	Backlit LCD
Number of key	5
Display Resolution	240 x 140 pixels
Color	Gray
[Us] rated supply voltage	12 V AC 24 V AC 24 V DC
Power consumption in W	0 W 5 W
Marking	CE
Realtime clock	With
Local signalling	1 LED (green) 1 LED (yellow) 1 LED (red)
Product Compatibility	Logic controller M171 performance
Height	6.30 in (160 mm)
Width	3.54 in (90 mm)
Depth	1.06 in (27 mm)
Net Weight	0.43 lb(US) (0.197 kg)

Environment

Product Certifications	cURus
------------------------	-------

Ordering and shipping details

Category	22537-M171 / M172 HVAC CONTROLLERS
Discount Schedule	PC12
GTIN	3606480752629
Nbr. of units in pkg.	1
Package weight(Lbs)	11.32 oz (321.0 g)
Returnability	Yes
Country of origin	IT

Packing Units

Unit Type of Package 1	PCE
Package 1 Height	5.12 in (13 cm)
Package 1 width	3.54 in (9 cm)
Package 1 Length	7.28 in (18.5 cm)
Unit Type of Package 2	S02
Number of Units in Package 2	6
Package 2 Weight	4.86 lb(US) (2.206 kg)
Package 2 Height	5.91 in (15 cm)
Package 2 width	11.81 in (30 cm)
Package 2 Length	15.75 in (40 cm)

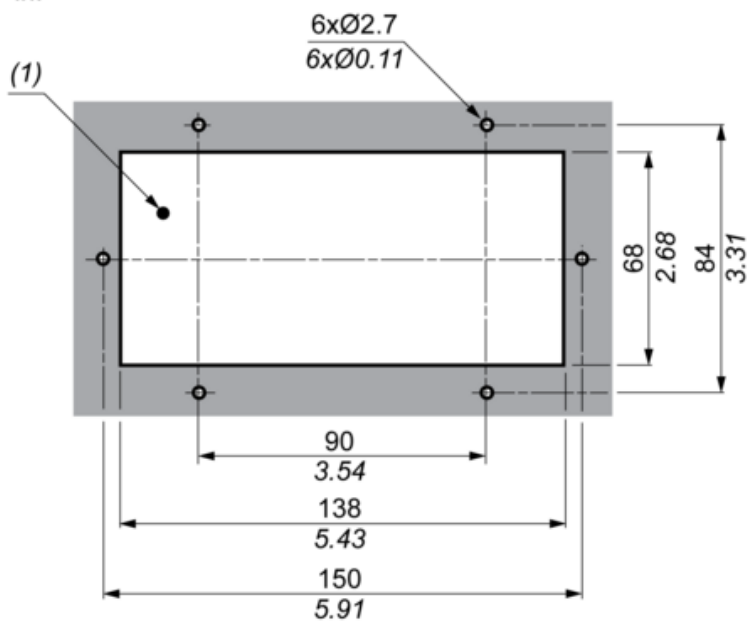
Offer Sustainability

Sustainable offer status	Green Premium product
California proposition 65	WARNING: This product can expose you to chemicals including: Lead and lead compounds, which is known to the State of California to cause cancer and birth defects or other reproductive harm. For more information go to www.P65Warnings.ca.gov
REACH Regulation	REACH Declaration
EU RoHS Directive	Pro-active compliance (Product out of EU RoHS legal scope) EU RoHS Declaration
Mercury free	Yes
RoHS exemption information	Yes
China RoHS Regulation	China RoHS Declaration
Environmental Disclosure	Product Environmental Profile
Circularity Profile	End Of Life Information
WEEE	The product must be disposed on European Union markets following specific waste collection and never end up in rubbish bins.

Mounting

Panel Mounting

$\frac{\text{mm}}{\text{in.}}$



(1) Panel cut out

Wall Mounting

$\frac{\text{mm}}{\text{in.}}$

$\frac{4 \times \varnothing 4.2}{6 \times \varnothing 0.17}$

