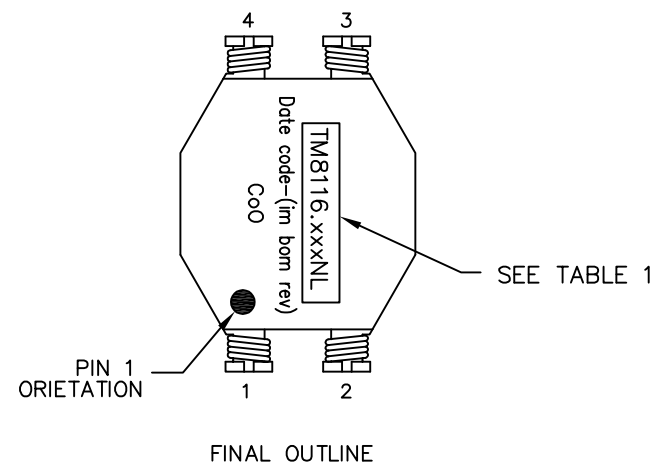
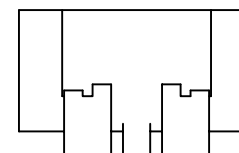
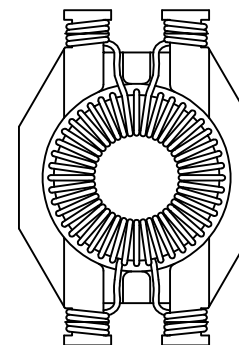


NOTES:

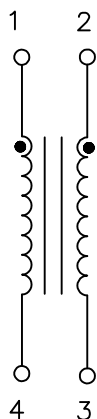
1. ROHS COMPLIANT
2. HEADER: LCP E5008L WITH FLAMMABILITY RATING UL 94V-0 OR BETTER.
3. STORAGE TEMPERATURE: -50°C TO +125°C
4. COMPLIANCE TO J-STD:
  - A. J-STD-002: SOLDERABILITY AT 245°C REFLOW PROFILE
  - B. J-STD-020: LEVEL 1, NO MOISTURE SENSITIVE
  - C. J-STD-075: R7, 245°C MAXIMUM THROUGH REFLOW SOLDER
5. TO ORDER TAPE & REEL PACKAGING ADD A "T" SUFFIX TO THE PART NUMBER(i.e TM8116.xxxNL BECOMES TM8116.xxxNLT).



© Copyright, 2017. Pulse Electronics Corp. All rights reserved. Pulse confidential & proprietary. (03/30/17)

PRODUCT DESCRIPTION	TLA DRAWING	PS DRAWING	SHEET	PART NO.	DATASHEET REV.
CMI 2 x 0.470 mH – SHASTA	TM8116.xxxNL-P2	-	1 OF 4	TM8116.xxxNL	E

ELECTRICAL CHARACTERISTICS AT +25°C UNLESS OTHER SPECIFIED



SCHEMATIC

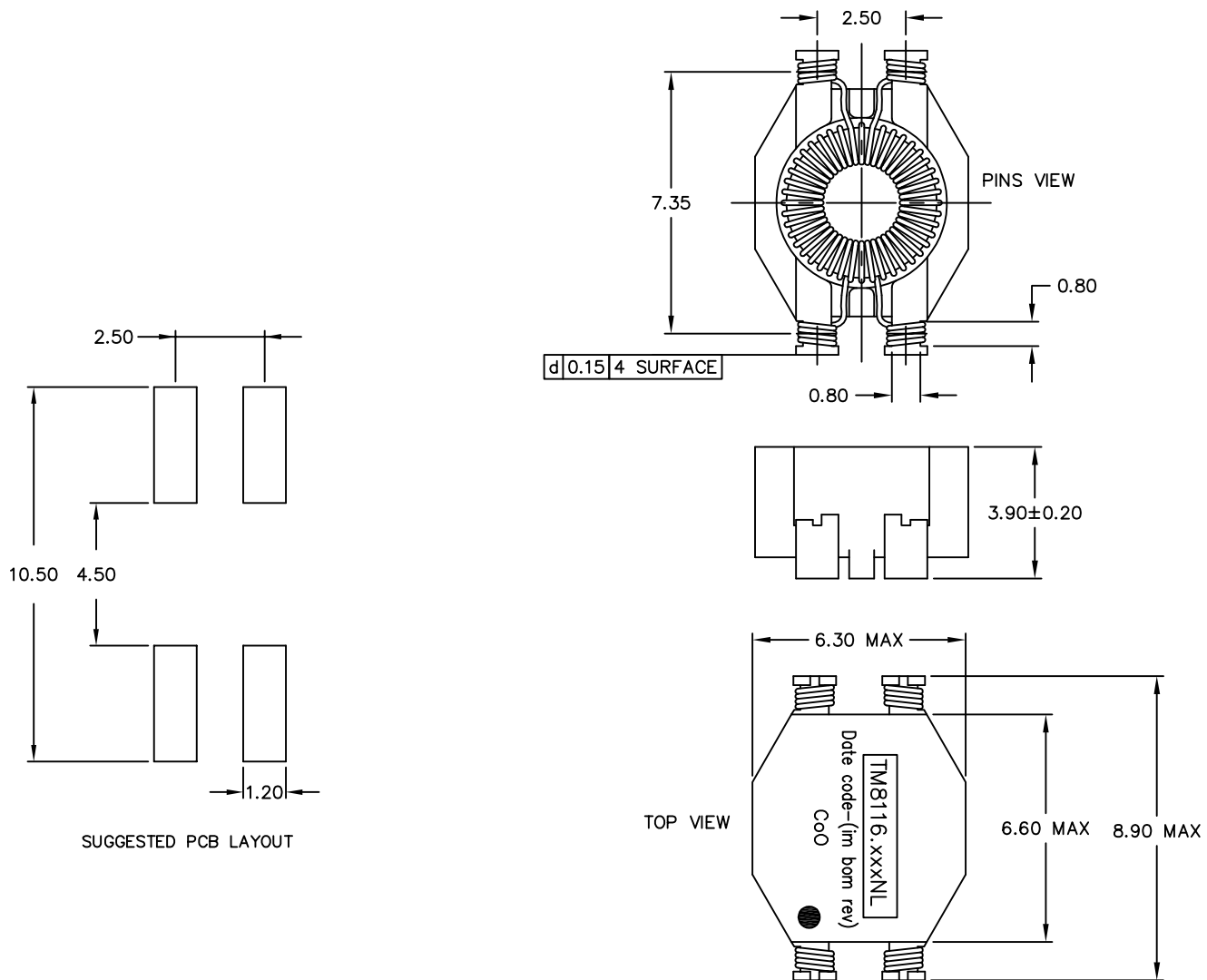
PARAMETER	SPECIFICATIONS
OPERATING TEMPERATURE	-40°C TO +125°C
POLARITY	PER SCHEMATIC
URNS RATIO @ 10 KHZ, 0.1 VRMS	$\frac{(1-4)}{(2-3)} = 1.0 \pm 2\%$
INDUCTANCE (OCL) @ 100 KHZ, 0.1 VRMS	SEE TABLE 1
LEAKAGE INDUCTANCE (LL) @ 100 KHZ, 0.1 VRMS	SEE TABLE 1
DC RESISTANCE (DCR)	SEE TABLE 1
IMPEDANCE OF L1	SEE CURVE
HIPOT	500 VAC FOR 1 MINUTE

TABLE 1

PART NUMBER	OCL ( $\mu\text{H}^{+50}_{-30\%}$ )	LL ( $\mu\text{H}$ MAX)	DCR (OHMS MAX)	CURRENT RATING (mADC)	INSULATION RESISTANCE (MOHMS)MIN.	RATED VOLTAGE (V)MAX.
TM8116.110NL	11	0.16	0.12	800	100	80
TM8116.250NL	25	0.24	0.12	800	100	80
TM8116.510NL	51	0.22	0.20	800	100	80
TM8116.101NL	100	0.16	0.24	800	100	80
TM8116.471NL	471	0.27	0.30	700	100	80
TM8116.102NL	1000	0.43	0.40	700	100	80

© Copyright, 2017. Pulse Electronics Corp. All rights reserved. Pulse confidential & proprietary. (03/30/17)

PRODUCT DESCRIPTION	TLA DRAWING	PS DRAWING	SHEET	PART NO.	DATASHEET REV.
CMI 2 x 0.470 mH – SHASTA	TM8116.xxxNL–P2	–	2 OF 4	TM8116.xxxNL	E



DIMENSIONS ARE IN MILLIMETERS WITH THE FOLLOWING  
TOLERANCES:  
X.XX= ±0.25  
X.XXX= ±0.13

© Copyright, 2017. Pulse Electronics Corp. All rights reserved. Pulse confidential & proprietary. (03/30/17)

PRODUCT DESCRIPTION	TLA DRAWING	PS DRAWING	SHEET	PART NO.	DATASHEET REV.
CMI 2 x 0.470 mH – SHASTA	TM8116.xxxNL-P2	–	3 OF 4	TM8116.xxxNL	E