

DISK # C4	DWG SIZE C	REVISIONS			1-0252	SH 1	
		REV	EO	DESCRIPTION	OWN	APPROVED	DATE
		L	8722	.605 MAX WAS .600 & REDWN	AAH	<i>AAH</i>	12-11-89

DASH NO	MODEL NO	CONN TYPE	FIG NO
-1	TN2	3-LUG	1
-2	TN2A		3
-3	TN2T	THREADED	2
-4	TN2TA		4
-5	TN2TL	2-LUG	1
-6	TN2TLA		3
-7	TN2FL	4-LUG	1
-8	TN2FLA		3

INCH	MM
.005	0.13
.030	0.76
.600	15.24
.625	15.88
1.166	29.62
2.673	67.89
2.699	68.55

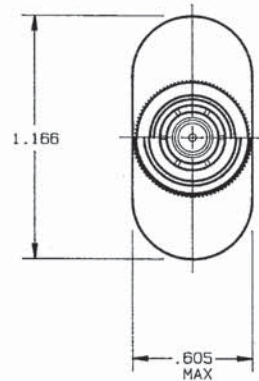
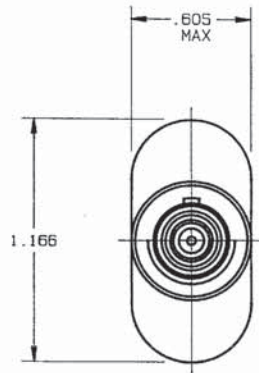


FIG 1
FIG 2

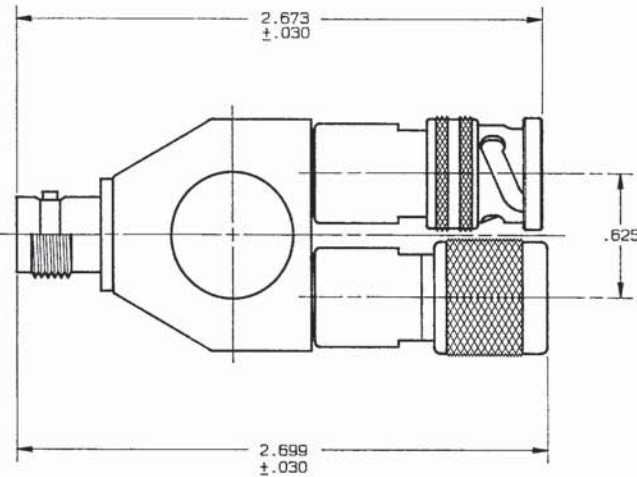
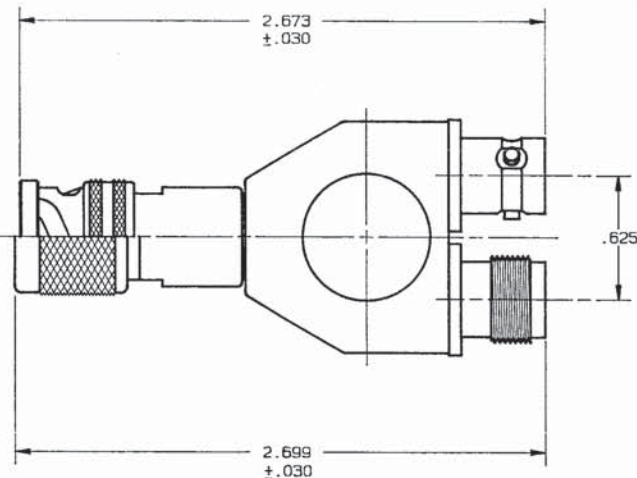
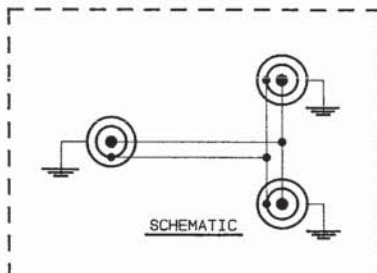


FIG 3
FIG 4



3. FIXED PARALLEL NETWORKS. CONCENTRIC TWINAX / TRIAX 2, 3, 4-LUG & THREADED PLUG(S) & JACKS(S)
2. FINISH: NICKEL
1. ALL DIM ARE IN INCHES



QTY	DESCRIPTION	PART NUMBER	ITEM
TOL UNLESS SPECIFIED .XX ± .XXX ± .005 .XXXX ± ANGLES ±		TROMPETER ELECTRONICS, INC.	TN2/2A/2T/2TA/2TL/ 2TLA/2FL/2FLA
DWN	AAH 12-11-89	MATERIAL	CODE IDENT
CHK	<i>AAH</i> 12/11/89	—	14949
ENGR	<i>AAH</i> 12/11/89	DRAWING NO.	1-0252
APPR	<i>AAH</i> 12/11/89	REV	L
NEXT ASSY	APPR	SCALE 2/1	DATE 12-29-66
			SHEET 1 OF 2