

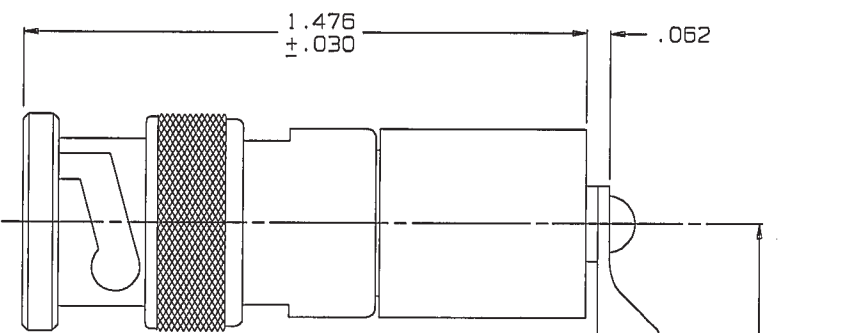
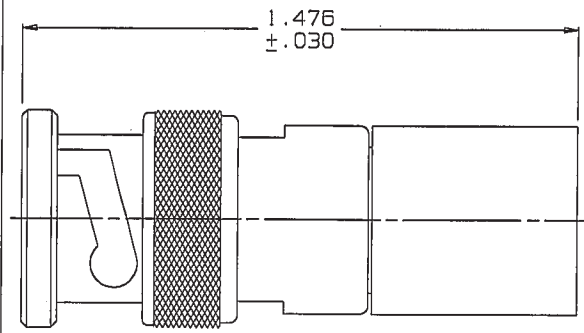
TABLE 1	
DASH NO	DESCRIPTION
-1	TERM (NO CHAIN)
-2	TERM WITH 2.5 BRASS CHAIN
-3	TERM WITH 2.5 NYLON CHAIN
-4	TERM WITH 3.0 BRASS CHAIN
-5	TERM WITH 3.0 NYLON CHAIN
-6	TERM WITH 6.0 BRASS CHAIN
-7	TERM WITH 6.0 NYLON CHAIN
-8	TERM WITH 4.0 BRASS CHAIN
-9	TERM WITH 4.0 NYLON CHAIN

TABLE 2				
DASH NO	"A" DIA	"B" DIA	"C" DIM	"D" DIA
-D2	.630	.750	1.066	.450
-D3	.505	.625	.941	.388
-D4	.439	.562	.878	.355
-D5	.380	.500	.816	.325
-D6	.317	.437	.753	.295
-D7	.281	.406	.722	.278
-D8	.610	.750	1.066	.450
-D9	.567	.687	1.003	.419
-D10	.192	.312	.628	.231
-D11	1.005	1.125	1.441	.638
-DD8	.330	.450	.766	.300

DATA CONTAINED IN THIS DOCUMENT IS PROPRIETARY TO TROMPETER ELECTRONICS INC. AND SHALL NOT BE DISCLOSED, COPIED OR USED FOR PROCUREMENT OR MANUFACTURE WITHOUT EXPRESS WRITTEN PERMISSION OF TROMPETER ELECTRONICS INC.

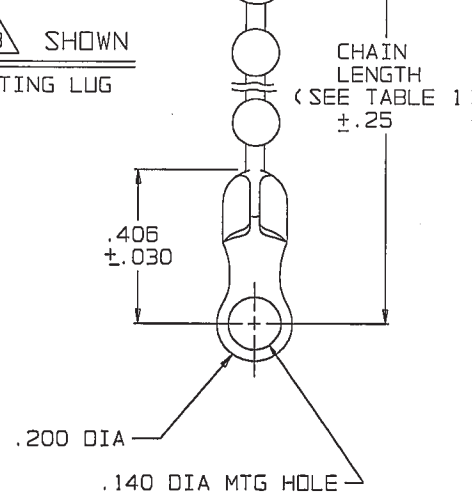
REVISIONS		102-0006	SH 1
REV	DESCRIPTION	DATE	APPROVED
AC	REVISED PER ECD 15106	7/1/03	WJ

## RED INDICATES ORIGINAL



-1-3 SHOWN  
NO CHAIN OR MOUNTING LUG

-2-3 THRU -11-3 SHOWN  
STANDARD CHAIN & MOUNTING LUG



NOTE LENGTH FOR SST ROPE WITH MTG LUG OPTION IS NOT MEASURED TO CENTER OF BULKHEAD MTG LUG

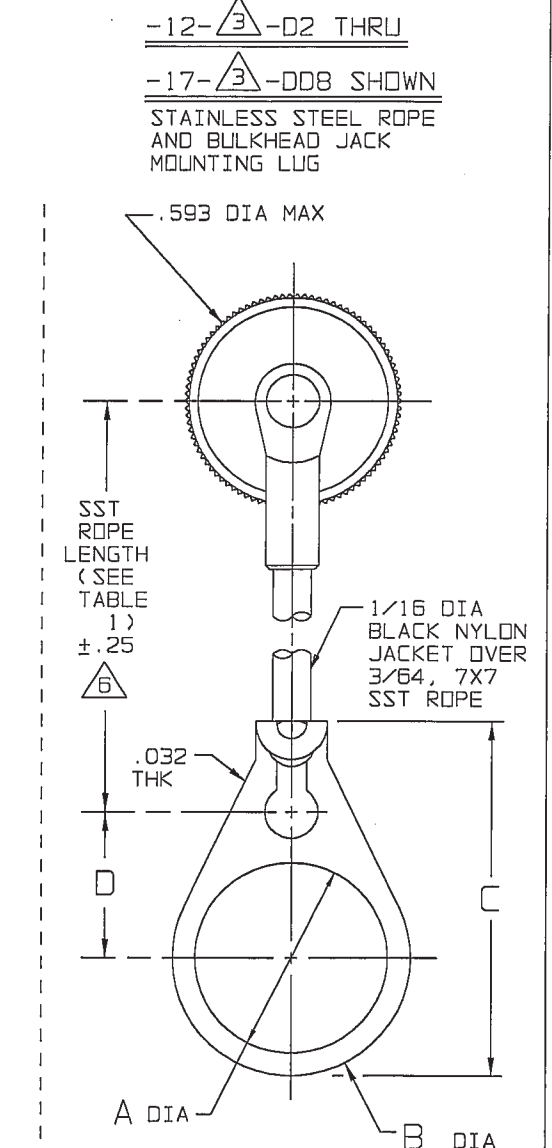
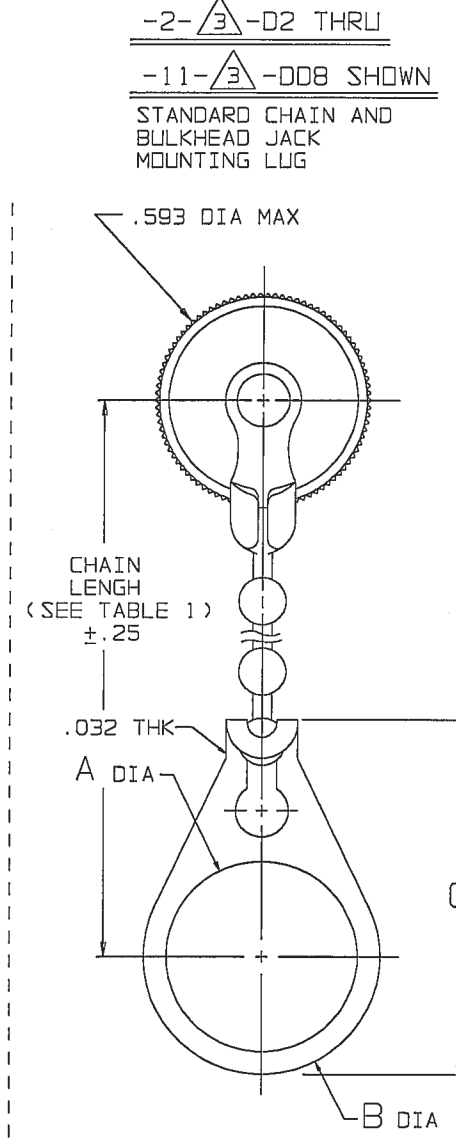
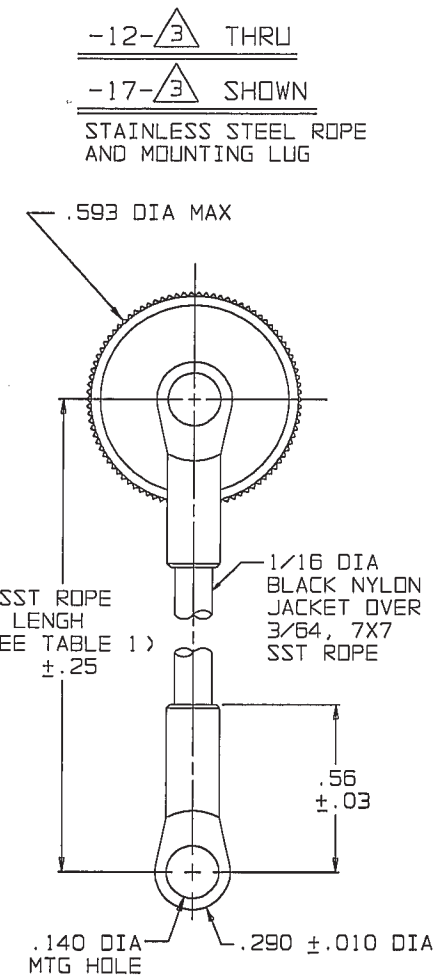
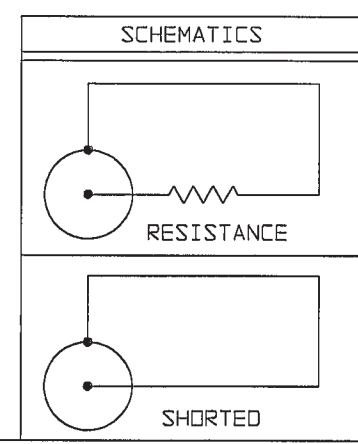
5. EXAMPLE OF COMPLETE MODEL NO:  
TNA1 - 2 - 3 - D2

BASIC MODEL NO  
TNH1 (50 OHM)  
UTNH1 (75 OHM)

CHAIN/ROPE MATL AND LENGTH (SEE TABLE 1)

BULKHEAD JACK MOUNTING LUG (OPTIONAL) AVAILABLE WITH BRASS CHAIN, NYLON CHAIN & SST ROPE (SEE TABLE 2)

- TERMINATED MALE COAXIAL 50 & 75 OHMS TNC TYPE PLUG WITH CHAIN & MOUNTING LUG OPTIONS
- RESISTANCE VALUE IN OHMS (1/2W, 1%) S = PIN SHORTED TO CASE (NO RESISTOR)
- FINISH: TFS-1A (NICKEL)
- ALL DIMENSIONS ARE IN INCHES



INTERPRET DRAWING PER MIL-STD-100 DIMENSIONS ARE IN INCHES AND INCLUDE FINISH THICKNESS UNLESS OTHERWISE SPECIFIED		TOL: UNLESS SPECIFIED .XX ± .02 .XXX ± .010 .XXXX		
DRAWN JCM	DATE 6-30-03	MATERIAL:	TITLE: TNA1/LTNA1	
CHECKED APH	DATE 6-30-03	FINISH:	SIZE B	
QUALITY	DATE 7/1/03	SCALE 4/1	CAGE CODE 14949	
HANDS	DATE 7/1/03	DATE 7-12-08	DRAWING NO. 102-0006	
APPROVED WJ	DATE 7/1/03	SHEET 1 OF 3	REV. AC	
NEXT ASSY	CAD FILE NO. 102-0006AC1	DO NOT SCALE DWG		