

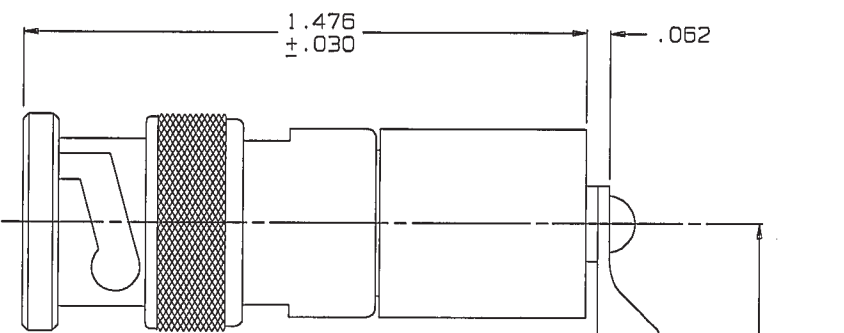
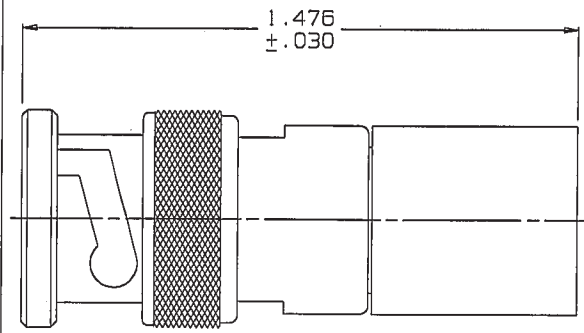
TABLE 1	
DASH NO	DESCRIPTION
-1	TERM (NO CHAIN)
-2	TERM WITH 2.5 BRASS CHAIN
-3	TERM WITH 2.5 NYLON CHAIN
-4	TERM WITH 3.0 BRASS CHAIN
-5	TERM WITH 3.0 NYLON CHAIN
-6	TERM WITH 6.0 BRASS CHAIN
-7	TERM WITH 6.0 NYLON CHAIN
-8	TERM WITH 4.0 BRASS CHAIN
-9	TERM WITH 4.0 NYLON CHAIN

TABLE 2				
DASH NO	"A" DIA	"B" DIA	"C" DIM	"D" DIA
-D2	.630	.750	1.066	.450
-D3	.505	.625	.941	.388
-D4	.439	.562	.878	.355
-D5	.380	.500	.816	.325
-D6	.317	.437	.753	.295
-D7	.281	.406	.722	.278
-D8	.610	.750	1.066	.450
-D9	.567	.687	1.003	.419
-D10	.192	.312	.628	.231
-D11	1.005	1.125	1.441	.638
-DD8	.330	.450	.766	.300

DATA CONTAINED IN THIS DOCUMENT IS PROPRIETARY TO TROMPETER ELECTRONICS INC. AND SHALL NOT BE DISCLOSED, COPIED OR USED FOR PROCUREMENT OR MANUFACTURE WITHOUT EXPRESS WRITTEN PERMISSION OF TROMPETER ELECTRONICS INC.

REVISIONS		102-0006	SH 1
REV	DESCRIPTION	DATE	APPROVED
AC	REVISED PER ECD 15106	7/1/03	WJ

RED INDICATES ORIGINAL



-1-3 SHOWN
NO CHAIN OR MOUNTING LUG

-2-3 THRU -11-3 SHOWN
STANDARD CHAIN & MOUNTING LUG

NOTE LENGTH FOR SST ROPE WITH MTG LUG OPTION IS NOT MEASURED TO CENTER OF BULKHEAD MTG LUG

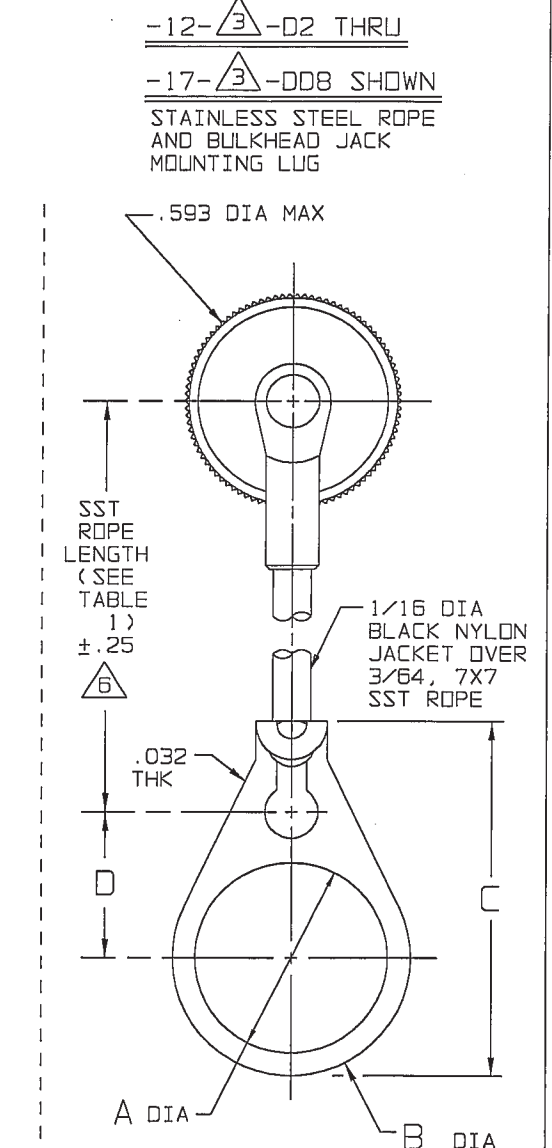
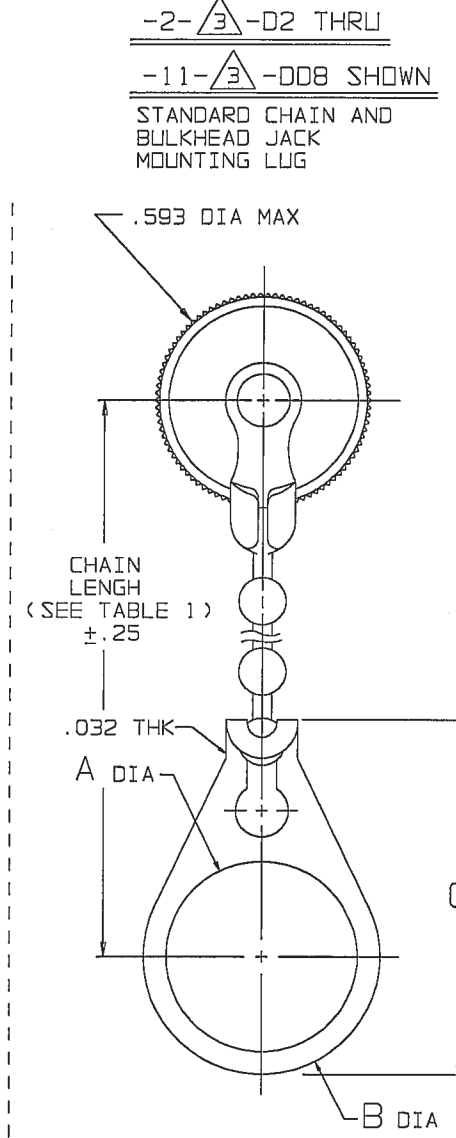
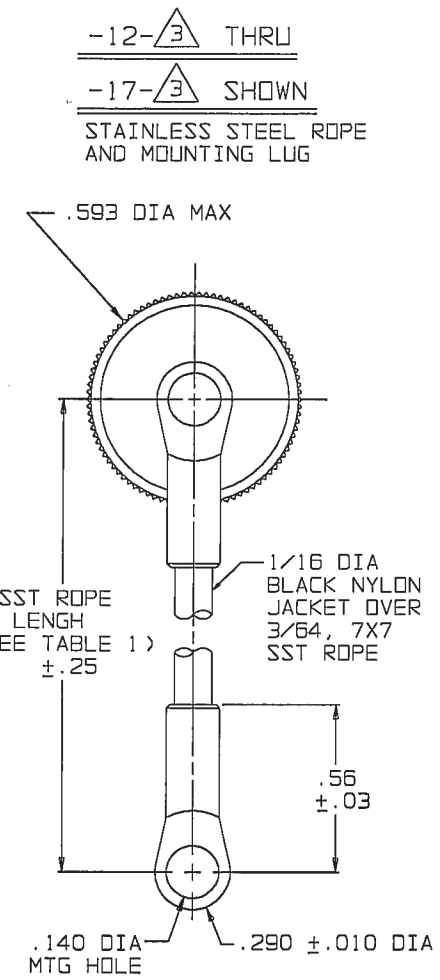
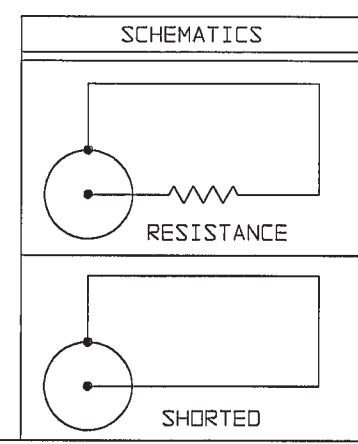
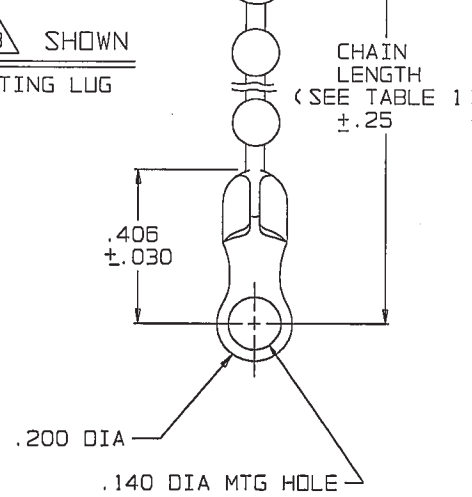
5. EXAMPLE OF COMPLETE MODEL NO:
TNA1 - 2 - 3 - D2

BASIC MODEL NO
TNH1 (50 OHM)
UTNH1 (75 OHM)

CHAIN/ROPE MATL AND LENGTH (SEE TABLE 1)

BULKHEAD JACK MOUNTING LUG (OPTIONAL) AVAILABLE WITH BRASS CHAIN, NYLON CHAIN & SST ROPE (SEE TABLE 2)

- TERMINATED MALE COAXIAL 50 & 75 OHMS TNC TYPE PLUG WITH CHAIN & MOUNTING LUG OPTIONS
- RESISTANCE VALUE IN OHMS (1/2W, 1%)
S = PIN SHORTED TO CASE (NO RESISTOR)
- FINISH: TFS-1A (NICKEL)
- ALL DIMENSIONS ARE IN INCHES



INTERPRET DRAWING PER MIL-STD-100 DIMENSIONS ARE IN INCHES AND INCLUDE FINISH THICKNESS UNLESS OTHERWISE SPECIFIED		TOL: UNLESS SPECIFIED .XX ± .02 .XXX ± .010 .XXXX	
DRAWN JCM	DATE 6-30-03	MATERIAL:	TITLE:
CHECKED APH	6-30-03	FINISH:	TNA1/LTNA1
QUALITY	2-11-03	SCALE	SIZE CAGE CODE
HANDS	7/1/03	SCALE 4/1	DRAWING NO. 102-0006
APPROVED WJ	7/1/03	DO NOT SCALE DWG	REV. AC
CAD FILE NO. 102-0006AC1			DATE: 7-12-98
			SHEET 1 OF 3



SIZE B	CAGE CODE 14949	DRAWING NO. 102-0006	REV. AC
SCALE 4/1	DATE: 7-12-98	SHEET 1 OF 3	