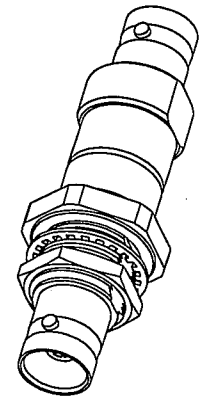
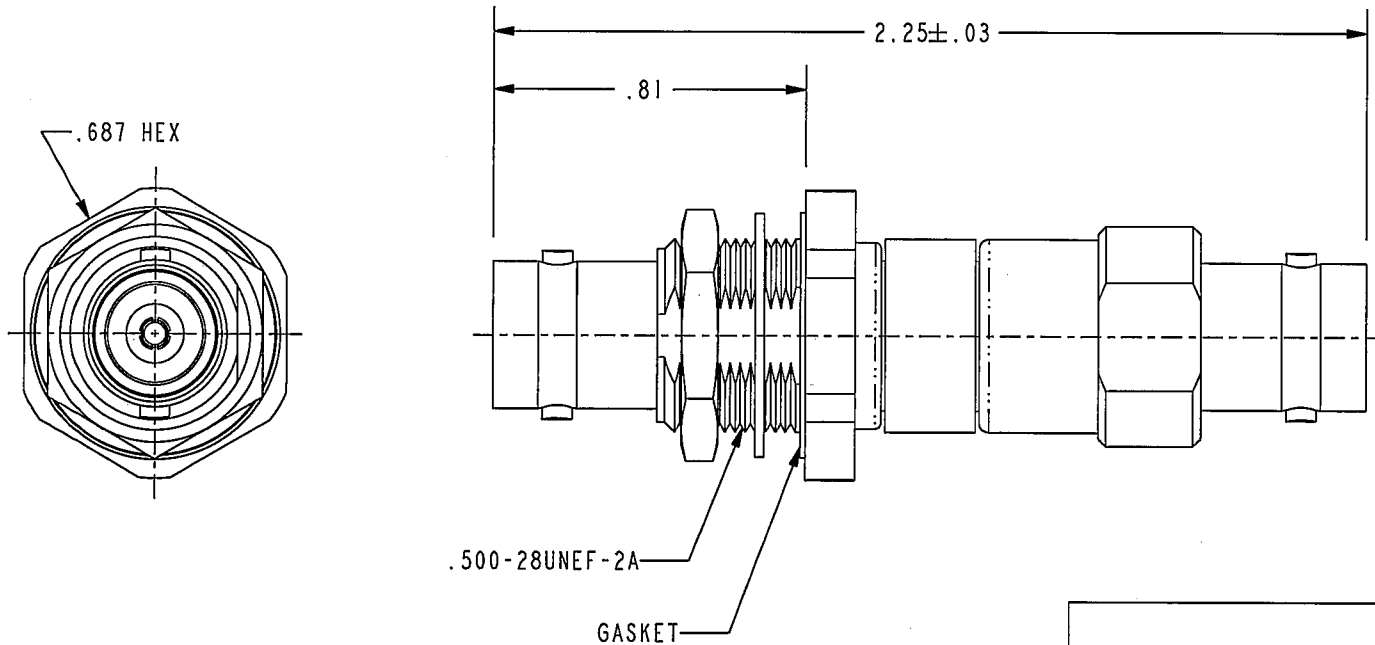


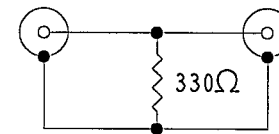
DATA CONTAINED IN THIS DOCUMENT IS PROPRIETARY TO TROMPETER ELECTRONICS INC. AND SHALL NOT BE DISCLOSED, COPIED OR USED FOR PROCUREMENT OR MANUFACTURE WITHOUT EXPRESS WRITTEN PERMISSION.

REVISIONS			
REV	DESCRIPTIONS	DATE	APPROVED
A	PRODUCTION RELEASE		

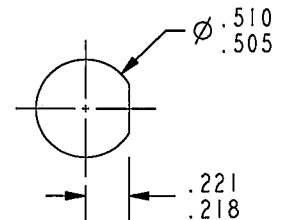


SCALE 1/1

**RED INDICATES ORIGINAL**



SCHMATIC



RECOMMENDED PANEL CUTOUT  
SCALE 1/1

3. FINISH-  
HOUSING: TFS-1A (NICKEL)  
CONTACTS: TFS-1B (GOLD)
2. MAXIMUM PANEL THICKNESS: 0.218
1. 50Ω BNC RECEPTACLE TO 50Ω BNC RECEPTACLE BULKHEAD MOUNT ADAPTER WITH 330Ω, 1W, 2% RESISTOR

NOTES: UNLESS OTHERWISE SPECIFIED.

INTERPRET DRAWING PER MIL-STD-100. DIMENSIONS ARE IN INCHES AND INCLUDE FINISH THICKNESS UNLESS OTHERWISE SPECIFIED.

TOL: UNLESS SPECIFIED.  
.XX ± .02  
.XXX ± .010  
ANGLE ± 1°



DRN	JCM	4-18-02	MATERIAL:	TITLE:
CHK	AAH	4-18-02	FINISH:	TNA2-50 SPECIAL
QUAL		4-19-02	SEE NOTE 3	
MANUF		4/19/02		SIZE
APPROVED		4/18/02		CAGE CODE
PROJ FILE NO.	105-2143			DRAWING NO.

NEXT ASSY	105-2143	DO NOT SCALE DWG	SCALE	2/1	DATE	4-19-02	SHEET	1 OF 2
-----------	----------	------------------	-------	-----	------	---------	-------	--------