

| TABLE 1 | |
|---------|----------------------------|
| DASH NO | DESCRIPTION |
| -1 | TERM (NO CHAIN) |
| -2 | TERM WITH 2.5 BRASS CHAIN |
| -3 | TERM WITH 2.5 NYLON CHAIN |
| -4 | TERM WITH 3.0 BRASS CHAIN |
| -5 | TERM WITH 3.0 NYLON CHAIN |
| -6 | TERM WITH 6.0 BRASS CHAIN |
| -7 | TERM WITH 6.0 NYLON CHAIN |
| -8 | TERM WITH 4.0 BRASS CHAIN |
| -9 | TERM WITH 4.0 NYLON CHAIN |
| -10 | TERM WITH 10.0 BRASS CHAIN |
| -11 | TERM WITH 10.0 NYLON CHAIN |

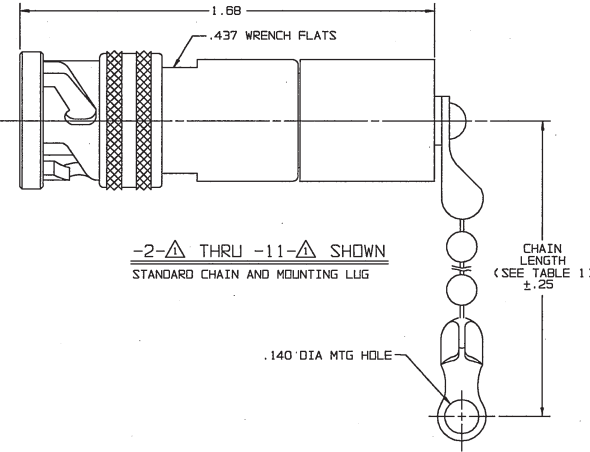
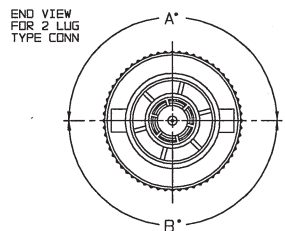
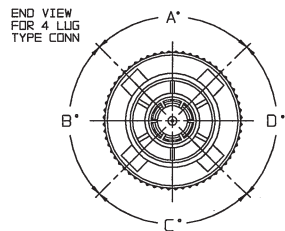
| | | TABLE 2 | | | |
|----------|-----------|--------------|----------|----------|----------|
| MODEL NO | TYPE CONN | POLARIZATION | | | |
| | | A DEGREE | B DEGREE | C DEGREE | D DEGREE |
| TNG1 | 3 LUG | 120° | 120° | 120° | --- |
| TNGFL1 | 4 LUG | 90° | 90° | 90° | 90° |
| TNGTL1 | 2 LUG | 180° | 180° | --- | --- |
| TNGIT | 3 LUG | 100° | 150° | 110° | --- |
| TNGIU | | 120° | 130° | 110° | --- |
| TNGIV | | 115° | 130° | 115° | --- |
| TNGIW | | 125° | 110° | 125° | --- |
| TNGIX | | 130° | 100° | 130° | --- |
| TNGIY | | 110° | 140° | 110° | --- |
| TNGIZ | | 100° | 160° | 100° | --- |
| TNGIS | 135° | 135° | 90° | --- | |

| TABLE 3 | | | | |
|---------|---------|---------|---------|---------|
| DASH NO | "A" DIA | "B" DIA | "C" DIM | "D" DIM |
| -01 | .755 | .875 | 1.191 | .512 |
| -02 | .630 | .750 | 1.066 | .450 |
| -03 | .505 | .625 | .941 | .388 |
| -04 | .439 | .562 | .878 | .355 |
| -05 | .380 | .500 | .816 | .325 |
| -06 | .317 | .437 | .753 | .295 |
| -07 | .281 | .406 | .722 | .278 |
| -08 | .610 | .750 | 1.066 | .450 |
| -09 | .567 | .687 | 1.003 | .419 |
| -010 | .192 | .312 | .628 | .231 |
| -008 | .330 | .450 | .766 | .300 |

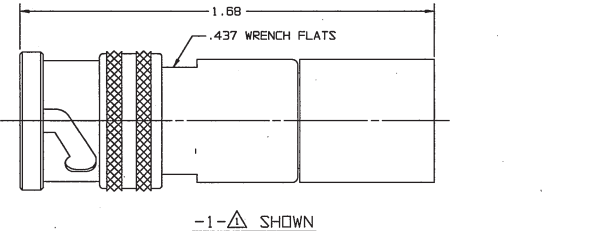
DATA CONTAINED IN THIS DOCUMENT IS PROPRIETARY TO TROMPETER ELECTRONICS, INC. AND SHALL NOT BE DISCLOSED, COPIED OR USED FOR REPRODUCTION OF MANUFACTURE WITHOUT EXPRESS WRITTEN PERMISSION OF TROMPETER ELECTRONICS, INC.

| REVISIONS | | 310-0033 | SH 1C |
|-----------|-----------------------|----------|----------|
| REV | DESCRIPTION | DATE | APPROVED |
| AG | REVISED PER ECD 16890 | 4/1/09 | MALC |

RED INDICATES ORIGINAL

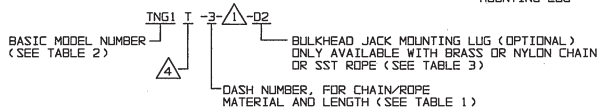


-2-△ THRU -11-△ SHOWN
STANDARD CHAIN AND MOUNTING LUG



-1-△ SHOWN
NO CHAIN/ROPE OR MOUNTING LUG

3. EXAMPLE OF COMPLETE MODEL NUMBER:

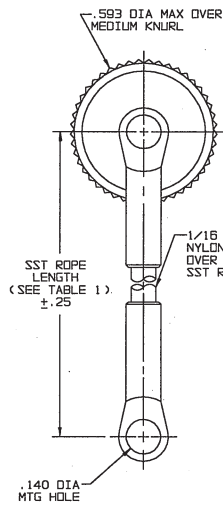


△ NOTE THAT LENGTH FOR SST ROPE WITH MOUNTING LUG OPTION IS NOT MEASURED TO CENTER OF BULKHEAD MOUNTING LUG

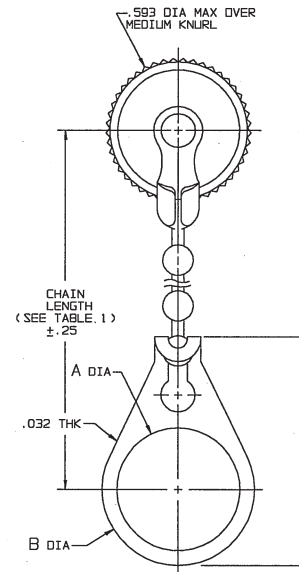
△ POLARIZATION LETTER: NONE REQUIRED FOR STANDARD POLARIZATION LETTER CODE (SEE TABLE 2)

2. 2, 3 AND 4 LUG CONCENTRIC TWINAX/TRIAX TERMINATION PLUG WITH CHAIN, SST ROPE AND MOUNTING LUG OPTIONS

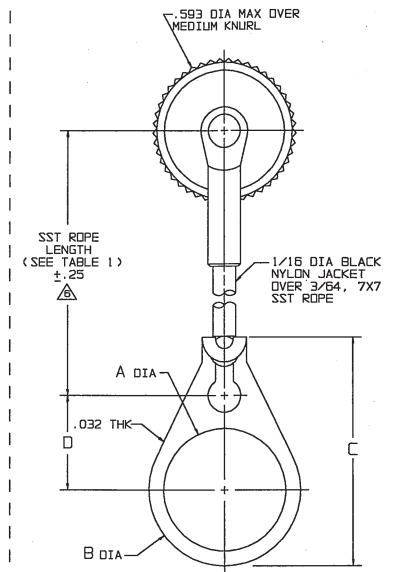
△ RESISTANCE VALUE IN OHMS, 1/2W, 1%.
S = CONTACT SHORTED TO INNER SHIELD (NO RESISTOR)
0 = LOOSELY ASSEMBLED (NO RESISTOR)



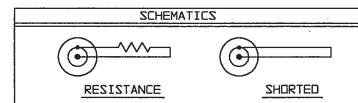
-12-△ THRU
-19-△ SHOWN
STAINLESS STEEL ROPE AND MOUNTING LUG



-2-△-01 THRU
-11-△-008 SHOWN
STANDARD CHAIN AND BULKHEAD JACK MOUNTING LUG



-12-△-01 THRU
-19-△-008 SHOWN
STAINLESS STEEL ROPE AND BULKHEAD JACK MOUNTING LUG



| | | | |
|--|---|--|--|
| DRAWN: L.M. CHECKED: M.J. DATE: 3-24-09 QUALITY: 3-30-09 RANK: APPROVED: [Signature] FILE NO: 310-0033AG | TITLE: TNG1/TNGFL1/TNGTL1/TNGIT; U,V,W,X,Y,Z & S SIZE: A 14949 CAGE CODE: 310-0033 DRAWING NO.: 310-0033 DATE: 7-15-66 SCALE: 4/1 SHEET: 1C | TIT.: UNLESS SPECIFIED .XX ± .02 .XXX ± .010 .XXXX ANGLES MATERIAL: FINISH: DO NOT SCALE DIM | |
|--|---|--|--|