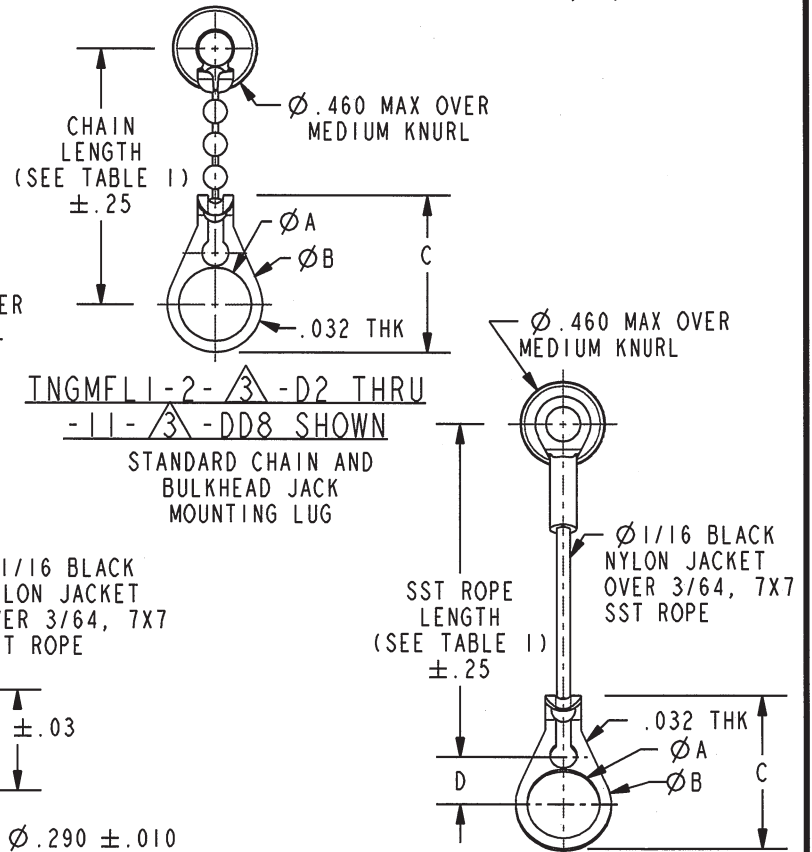
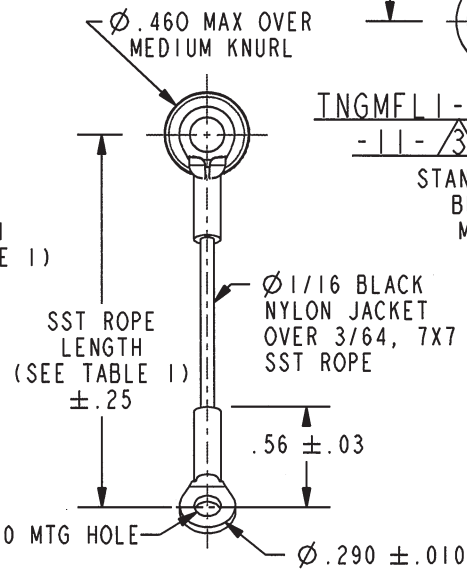
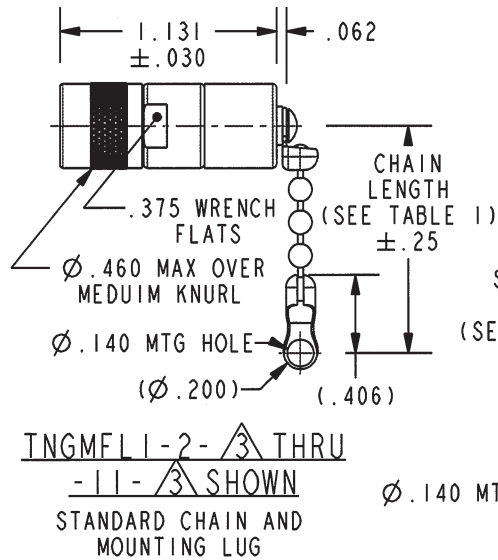
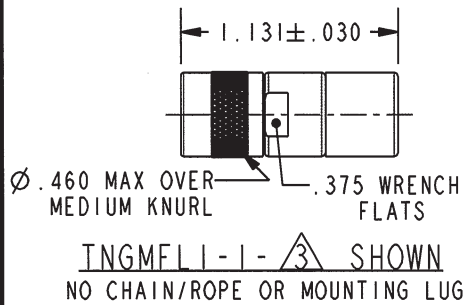


TABLE 1	
DASH NO	DESCRIPTION
-1	NO CHAIN
-2	2.5 BRASS CHAIN
-3	2.5 NYLON CHAIN
-4	3.0 BRASS CHAIN
-5	3.0 NYLON CHAIN
-6	6.0 BRASS CHAIN
-7	6.0 NYLON CHAIN
-8	4.0 BRASS CHAIN
-9	4.0 NYLON CHAIN
-10	10.0 BRASS CHAIN
-11	10.0 NYLON CHAIN
-12	2.5 SST ROPE
-13	3.0 SST ROPE
-14	6.0 SST ROPE
-15	4.0 SST ROPE
-16	7.0 SST ROPE
-17	4.5 SST ROPE
-18	12.0 SST ROPE
-19	18.0 SST ROPE

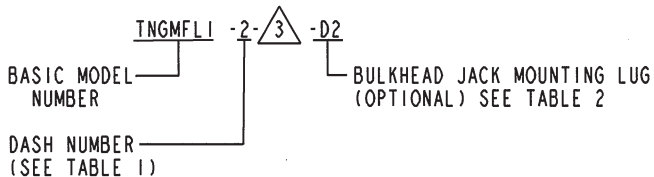
TABLE 2				
DASH NO	Ø A	Ø B	C DIM	D DIM
-D2	.630	.750	1.066	.450
-D3	.505	.625	.941	.388
-D4	.439	.562	.878	.355
-D5	.380	.500	.816	.325
-D6	.317	.437	.753	.295
-D7	.281	.406	.722	.278
-D8	.610	.750	1.066	.450
-D9	.567	.687	1.003	.419
-D10	.192	.312	.628	.231
-DD8	.330	.450	.766	.300

DATA CONTAINED IN THIS DOCUMENT IS PROPRIETARY TO TROMPETER ELECTRONICS INC. AND SHALL NOT BE DISCLOSED, COPIED OR USED FOR PROCUREMENT OR MANUFACTURE WITHOUT EXPRESS WRITTEN PERMISSION.

REVISIONS			
REV	DESCRIPTIONS	DATE	APPROVED
G	REVISED PER ECO # 16834	1/13/09	AMC



4. EXAMPLE OF COMPLETE MODEL NUMBER:

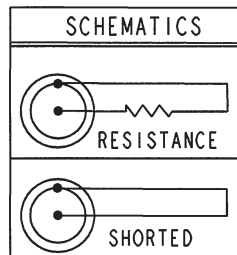


3. RESISTANCE VALUE IN OHMS (1/8 W, 1%), OR "S" CONTACT SHORTED TO INNER SHIELD (NO RESISTOR) "O" LOOSELY ASSEMBLED (NO RESISTOR)

2. FINISH: TFS-1A (NICKEL)

1. CONCENTRIC TWINAX/TRIAX TERMINATION TRS SUBMINIATURE SERIES PLUG WITH CHAIN AND SST ROPE OPTIONS

NOTES: UNLESS OTHERWISE SPECIFIED.



INTERPRET DRAWING PER MIL-STD-100. DIMENSIONS ARE IN INCHES AND INCLUDE FINISH THICKNESS UNLESS OTHERWISE SPECIFIED.
TOL: UNLESS SPECIFIED.
.XX ± .02
.XXX ± .010
ANGLE ± 1°

DRW	J. CARPENTER	12-15-08
CHK	M. J.	1-13-09
QUALITY		
MANUF		
APPROVED	AM	1-13-09
PROJ FILE NO.		3-0061

MATERIAL:
FINISH:
DO NOT SCALE DWG

TROMPETER
RF connectivity
a cinch connectivity solutions brand

TITLE: TNGMFLI			
SIZE	CAGE CODE	DRAWING NO.	REV.
A	14949	3-0061	G
SCALE	DATE	SHEET	IC
1/1	3-26-81	IC	