

# TOKIN-6153

Fanless 15" Industrial Panel PC with Intel® Celeron® 827E 1.4GHz / Intel® Atom™ D2550 1.86GHz



## Features

- Less Cable , Fanless Design
- Flexible Modular Design
- 15" 1024 x 768 XGA LCD Display w/ LED Backlight
- Die-casting Bezel, Completely Covered w/ Membrane
- Flush Front Panel, IP65-Compliant
- Brightness Control Button
- Anti-spark Power Circuit
- Outside-accessible Push-pull CFast Sockets
- Isolated Serial Ports (RS-232/485), w/ Auto-flow Control
- 2 x Mini-card sockets, 1 x PCI or 1 x PCIe x1
- Semi-Pierced DB9 Hole Reserved for Field-bus Card
- SMA Antenna Holes for Optional WiFi Function
- 9~36V Wide-Range DC Input

## System

<b>CPU</b>	Intel® Celeron® 827E 1.4GHz processor or Intel® Atom™ D2550 1.86GHz processor
<b>Memory</b>	2 x DDR3 SO-DIMM Sockets, supporting 1333/1066 MHz SDRAM up to 8GB (827E) 1 x DDR3 SO-DIMM Socket, supporting 1066/800 MHz SDRAM up to 4GB (D2550) 1 x 2GB DDR3 SO-DIMM memory module (installed)
<b>Chipset</b>	Intel® HM65 for 827E Intel® NM10 for D2550
<b>LAN</b>	1 x Intel® 82583V GbE controller 1 x Intel® 82579LM GbE PHY
<b>Watchdog Timer</b>	1~255 levels reset

## Storage

<b>1<sup>st</sup> Device</b>	1 x outside-accessible CFast slot
<b>2<sup>nd</sup> Device</b>	1 x outside-accessible CFast slot (default), or 2.5" drive bay (included in Standard Accessories)

## LCD Display

<b>Size/Type</b>	15" TFT LCD Panel
<b>Max. Resolution</b>	1024 x 768 (XGA)
<b>Max. Colors</b>	16.2M
<b>Luminance</b>	300 cd/m <sup>2</sup>
<b>Touch Screen</b>	5-wire Analog Resistive
<b>View Angle (U/D/R/L)</b>	80°/80°/80°/80°

## Button & Indicator

<b>Function Key</b>	Brightness up/down, Screen on/off
<b>LED Indicator</b>	Power on LED

## Power System

<b>Power Input</b>	DC 9~36V
--------------------	----------

## Certification

<b>EMC / EMI</b>	CE, FCC Class A
------------------	-----------------



## External I/O

<b>Serial Ports</b>	2 x RS-232 and 2 x isolated RS-232/485 ports, all are DB9 connectors
<b>USB Ports</b>	4 x Type-A USB 2.0 ports
<b>LAN</b>	2 x RJ-45 GbE ports
<b>DVI</b>	1 x DVI-I connector
<b>Optional Port</b>	1 x semi-pierced DB9 hole reserved for internal wiring by user
<b>WiFi</b>	2 x SMA antenna holes for optional WiFi function

## Expansion

<b>Expansion Bus</b>	2 x Mini-card sockets 1 x PCI 32-bit slot (default, for limited-length expansion card only, 150mm maximum) or 1 x PCIe x1 slot (included in Standard Accessories)
<b>Optional</b>	1 x Internal USB dongle space

## Mechanical

<b>Mounting Type</b>	Panel Mounting and VESA-75/100 Mounting
<b>Chassis</b>	Panel-mounting chassis, Aluminum Front Bezel and SECC steel chassis
<b>Dimension (W x D x H)</b>	389.93 x 84.3 x 309.93 mm (15.35" x 3.31" x 12.20")
<b>Weight (Net)</b>	7.3 kg (16.09 lb)

## Environmental

<b>Operating Temp.</b>	-20 ~ 60°C (-4 ~ 140°F)
<b>Storage Temp.</b>	-20 ~ 70°C (-4 ~ 158°F)
<b>Operating Humidity</b>	10 ~ 95% RH @ 60°C (non-condensing)
<b>Vibration</b>	5 ~ 500Hz, 2Grms Random (with CF/SSD)
<b>Shock</b>	Operating 15G, 11ms Non-operating 40G, 11ms (with CF/SSD)

## OS Support

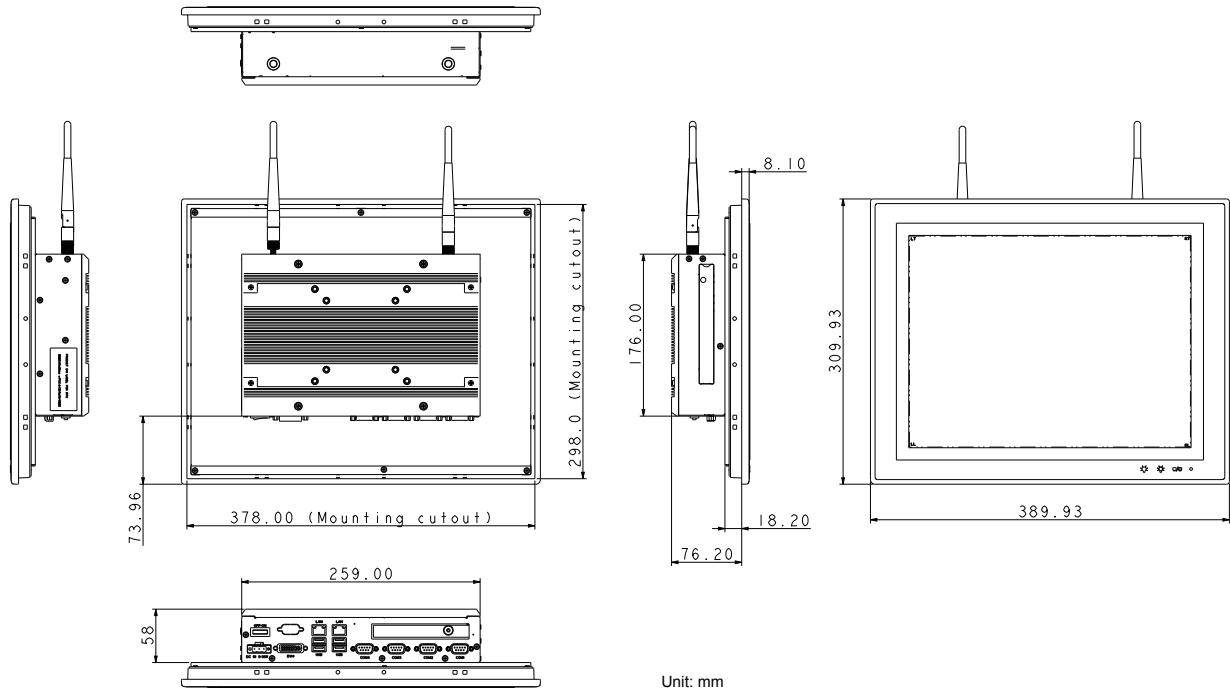
Windows XP Embedded / Windows 7 Embedded  
Windows Embedded Compact 7 (D2550 only)

## Ordering Information

<b>TOKIN-6153-827E</b>	Intel® Celeron® 827E industrial panel PC w/ 2GB memory
<b>TOKIN-6153-D2550</b>	Intel® Atom™ D2550 industrial panel PC w/ 2GB memory

All specifications are subject to change without notice.

# Dimensions

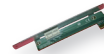


## Standard Accessories

**EPC-6300 HDD Bracket** 2.5" HDD/SSD Bracket



**SCDB-1395** PCIe x1 Riser Card



## Optional Accessories

**PAC-P065W** 19V/3.4A 65W AC/DC Power Adapter Kit



**PAC-P120W-FSP** 19V/5.96A 120W AC/DC Power Adapter Kit



## Optional Configuration (CTOS\* Kit)

**SSD-25040** Intel® 2.5" 40GB SATAII SSD Kit



**MM-3C-2G** 2GB DDR3-1333 SDRAM



**MM-3C-4G** 4GB DDR3-1333 SDRAM



**WIFI-IN1350** Intel® Centrino® Advanced-N 6205 WiFi Module w/ 20cm & 30cm internal wiring



**ANT-D11** 2.4G/5G Dual-band WiFi Antenna



\*CTOS means Configure-to-Order Service.