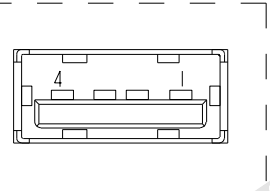
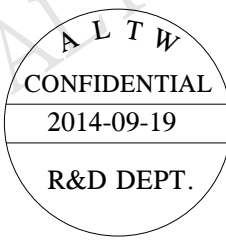
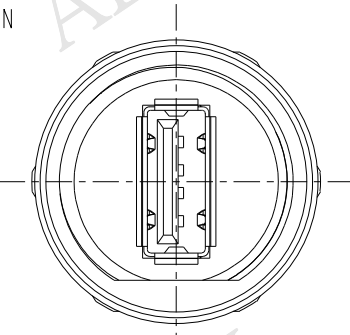
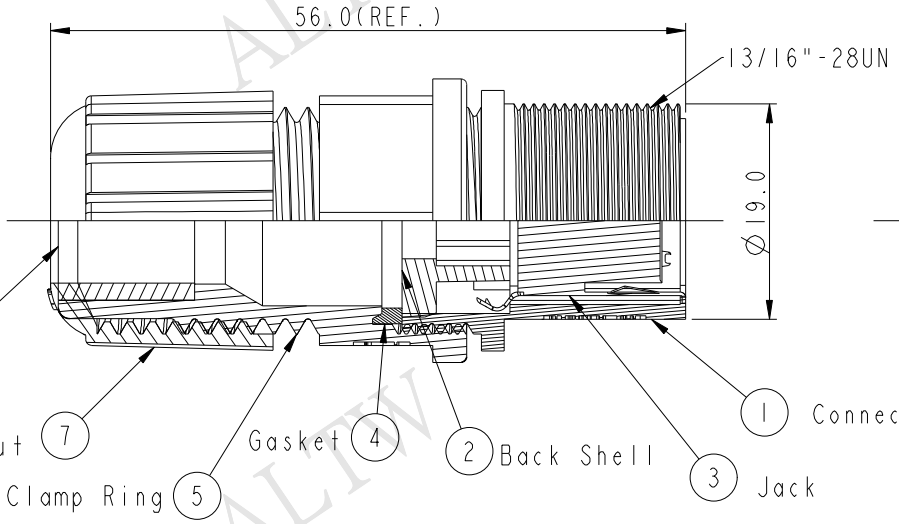
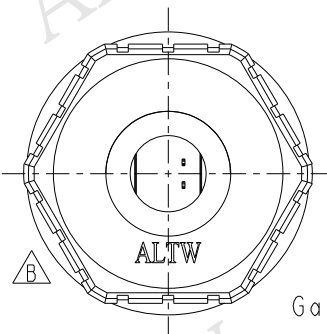


REV.	ECN NO.	DATE	SIGN	DESCRIPTION
B	LEN1490381	2014/09/19	Lu Di	Update Logo



Pin Assignments Front View 前視圖

- Note:
1. Seals For Cable OD: $\varnothing 5.0\text{mm} \sim \varnothing 10.8\text{mm}$ (防水墊圈線徑)
 2. One Set Unassembly In One PE Bag (每一組未組裝放於一個PE袋並封上)
 3. \varnothing Important Dimension (\varnothing 為重點檢驗尺寸)

UNIT:mm		TITLE		ITEM NO		DRAWN BY		DATE	
		USB A Type Male Connector Assembly		UA-20BMFA-SL8001		Lu Di		2014/09/19	
TOLERANCE		SCALE	SIZE	SHEET	DWG NO	CHECKED BY	DATE		
.X ± 0.25		3:2	A4	1 OF 1	UA-20BMFA-SL8001	Mafei	2014/09/19		
.XX ± 0.1		REV.	WC-REV.		CUSTOMER	APPROVED BY	DATE		
.XXX ± 0.05		B	A.4	\varnothing : Inspection item	ALTW	Jerry	2014/09/19		
ANGLES $\pm 1^\circ$									

Amphenol LTW
安費諾亮泰企業股份有限公司

THIS DOCUMENT IS SUBJECT TO CHANGE WITHOUT NOTICE. IT IS CONFIDENTIAL AND A PROPERTY OF Amphenol LTW. DISCLOSURE TO THIRD PARTY HAS TO BE AUTHORIZED BY Amphenol LTW.