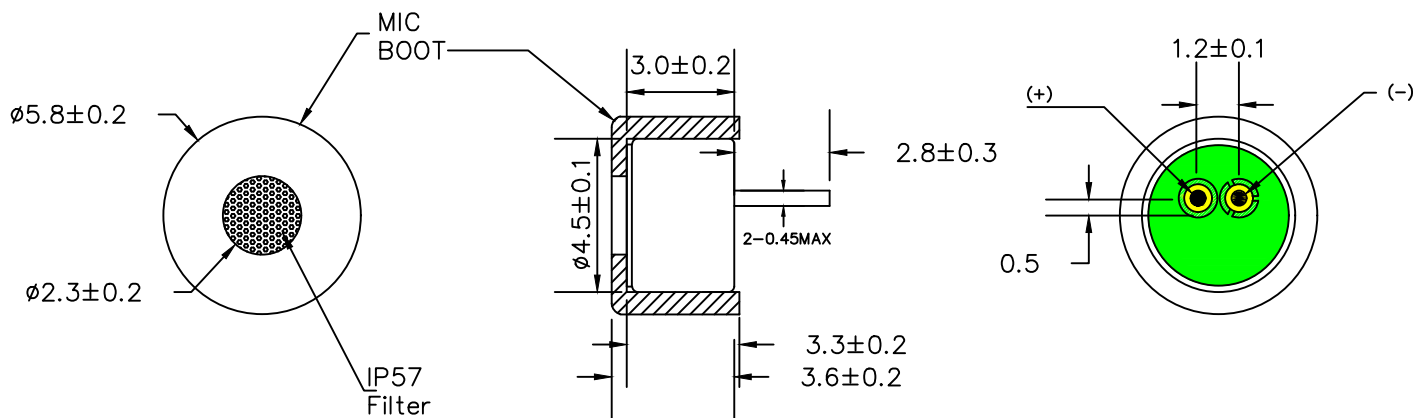


THIS DOCUMENT CONTAINS DATA PROPRIETARY TO PROJECTS UNLIMITED, INC. ANY USE OR REPRODUCTION, IN ANY FORM, WITHOUT PRIOR WRITTEN PERMISSION OF PROJECTS UNLIMITED, INC. IS PROHIBITED.
© 2005, Projects Unlimited Inc.

SPECIFICATIONS

PARAMETERS	VALUES	UNITS
DIRECTIVITY	OMNI	—
SENSITIVITY	-50±3	dB
STANDARD OPERATING VOLTAGE	2	Vdc
MAX OPERATING VOLTAGE	10	Vdc
CURRENT CONSUMPTION (MAX)	0.5	mA
IMPEDANCE	2.2	kOhm
SIGNAL TO NOISE RATIO (MIN.)	50	dB
TERMINAL	PIN	—
INTERNAL CAPACITOR	—	pF
OPERATING VOLTAGE	-20 to 60	°C

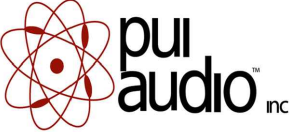
REVISIONS			
LTR	DESCRIPTION	DATE	APPROVED
—	RELEASED FROM ENGINEERING	11/12/18	



NOTES:

1. ALL DIMENSIONS ARE IN MILLIMETERS.
2. SPECIFICATION SUBJECT TO CHANGE OR WITHDRAWAL WITHOUT NOTICE.
3. PART IS IP57 RATED.
4. THIS PART IS RoHS 2011/65/EU COMPLIANT.

FILE NAME
TOW-3050P-B-R.DWG

UNLESS OTHERWISE SPECIFIED: ALL PURCHASES ARE SUBJECT TO THE PUI AUDIO TERMS AND CONDITIONS SALE FOUND AT http://www.puiaudio.com/pdf/terms_conditions.pdf (paper copy available upon request). DIMENSIONS ARE IN MILLIMETERS, TOLERANCES ARE ±0.5 AND ANGLES ARE ±3°.		 <p>pui audio inc</p>	3541 Stop Eight Road Dayton, Ohio 45414	
APPROVALS	DATE			<h2>MICROPHONE</h2>
DRAWN	M.L.	11/18	DRAWING NO. TOW-3050P-B-R	
CHECKED	M.L.	11/18	SIZE A	
APPROVED	B.R.	11/18	SCALE: N.T.S.	
			SHEET 1 OF 1	