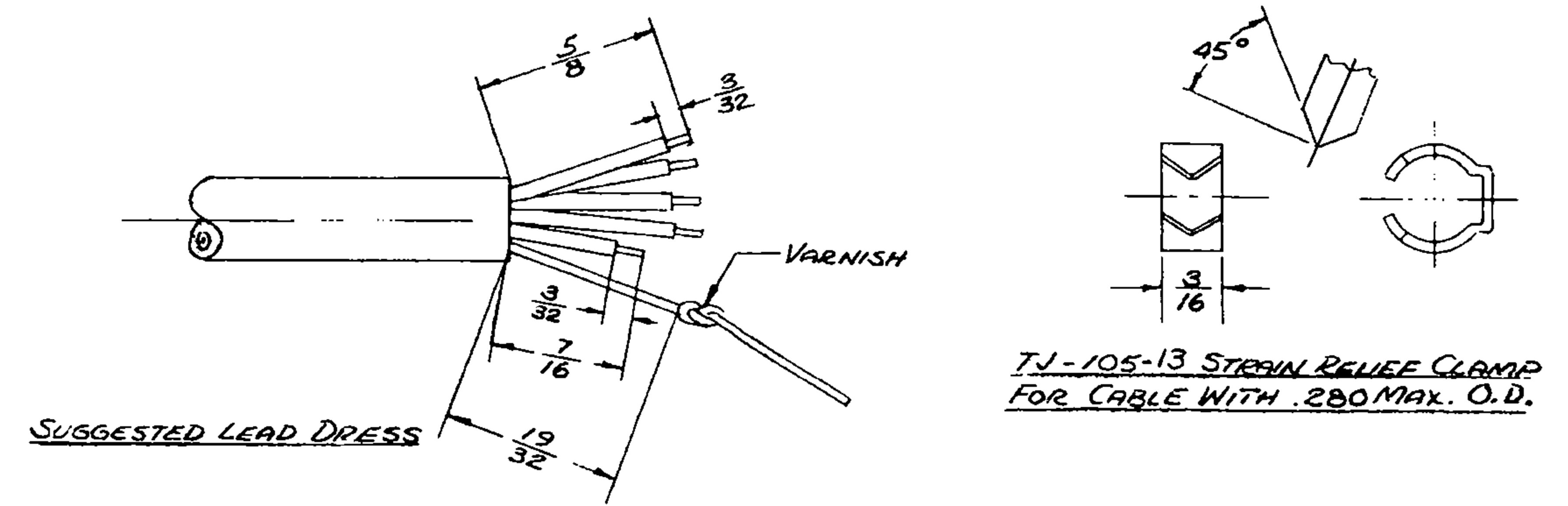
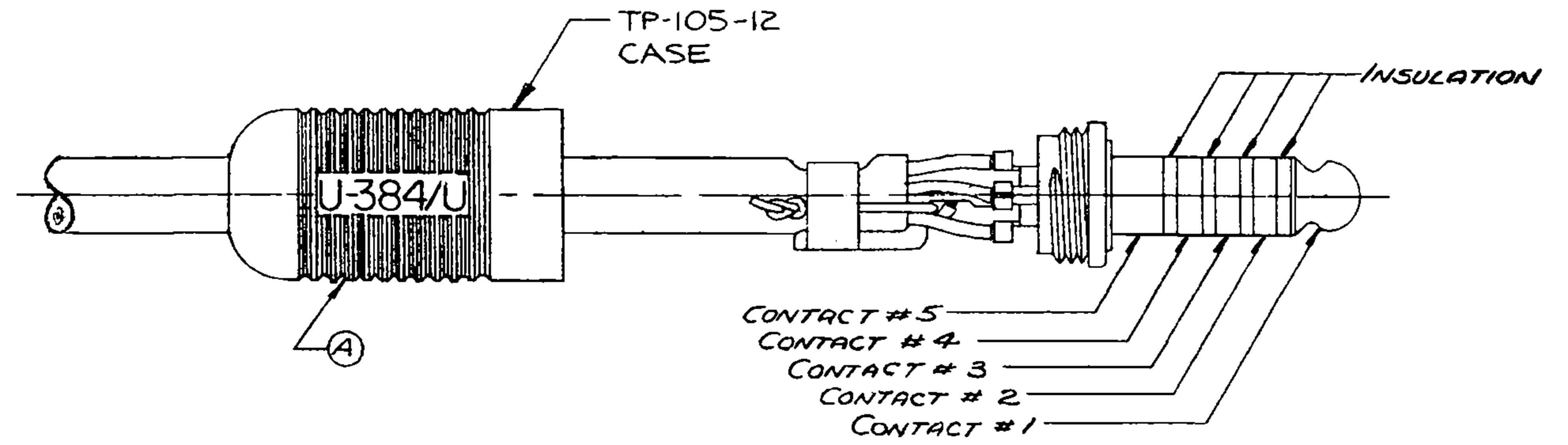


CONDENSED SPECIFICATION:

1. THIS PLUG MATES WITH NEXUS TELEPHONE JACK TJ-105.
2. THE STRAIN RELIEF CLAMP IS INTENDED FOR USE WITH CABLES APPROXIMATELY .275 OUTSIDE DIAMETER.
3. THE SOLDER TERMINALS ARE TINNED AND EACH WILL ACCEPT TWO STRANDED CONDUCTORS OF 404 CIRCULAR MILLS (24 GAGE, 41 STRANDS OF #40 AWG) EXCEPT TERMINAL #1 WHICH WILL ACCEPT ONE CONDUCTOR.
4. EACH CONDUCTOR IS OF ONE PIECE CONSTRUCTION - THERE ARE NO JOINTS OF ANY TYPE BETWEEN THE CONTACT AREA AND THE SOLDER TERMINALS.
5. THE .281 STACK DIAMETER IS MACHINED AFTER INSERT MOLDING SO THE CONTACTS AND INSULATION ARE FLUSH AND CONCENTRIC.
6. THE STAY CORD ANCHOR WILL WITHSTAND A 50 POUND PULL FOR AT LEAST 5 MINS.
7. THE CONCENTRICITY OF THE BALL END OF THE PLUG TO THE .281 DIA. IS SUCH THAT THE PLUG WILL FREELY ENTER A RING GAGE HAVING A MAX. INTERNAL DIA. OF .284 FOR A LENGTH OF .730 & A MAX. INTERNAL DIA. OF .254 FOR A LENGTH OF .175 WITH NO FORCE EXCEPT ITS OWN WEIGHT.
8. MATERIALS:
 - A. CONTACTS - NICKEL-COPPER ALLOY PER FEDERAL SPEC. QQ-N-281, (MONEL).
 - B. STACK INSULATION -
 - C. STRAIN RELIEF CLAMP - STAINLESS STEEL PER FEDERAL SPEC. QQ-S-766 CLASS 4.
 - D. SHELL BLACK.
9. ELECTRICAL:
 - A. DIELECTRIC STRENGTH - 500 VOLTS RMS MIN. BETWEEN ANY PAIR OF CONTACTS.
 - B. INSULATION RESISTANCE - 100 MEGOHMS MIN. BETWEEN ANY PAIR OF CONTACTS.
 - C. CONTACT RESISTANCE - WHEN MATED WITH NEXUS TJ-105 TELEPHONE JACK AND WITH DIRECT CURRENT OF 100 MILL-AMPERES AT 5 VOLTS (OPEN CIRCUIT VOLTAGE) FLOWING THROUGH THE CONTACTS, THE POTENTIAL DROP BETWEEN EACH PAIR OF CONTACTS WILL NOT EXCEED .005 VOLTS.



OWN. BY	EWT	DATE	5/12/08	MATERIAL	
CHECKED BY				FINISH	
APPR. BY				WEIGHT	SCALE 2:1 & 4:1
UNLESS OTHERWISE SPECIFIED				TITLE	
DIMENSIONS ARE IN INCHES				TELEPHONE PLUG	
TOLERANCES ON				HIGH TEMP	
FRACTIONS DECIMALS ANGLES				DO NOT SCALE DWG. SHEET OF	
A INITIAL RELEASE 5/12/08				NEXUS STAMFORD, CONN.	
LET.	REVISION	DATE	CHK.	SIZE	DWG. NO.
				C	TP-105HT