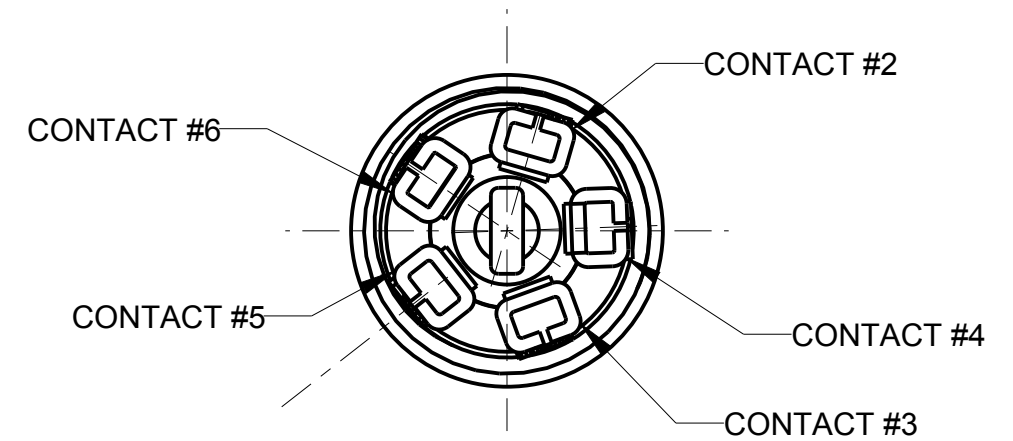
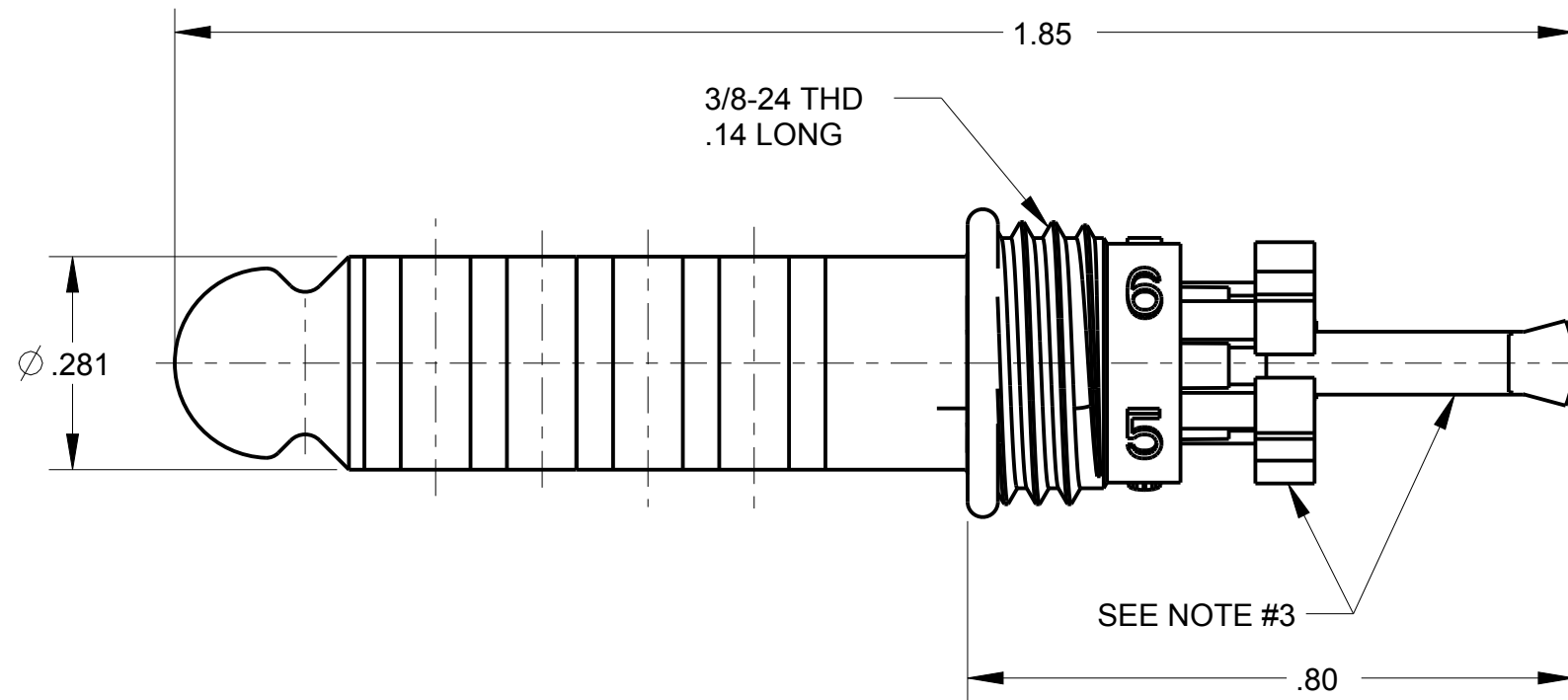


NOTES:

- 1) TELEPHONE PLUG MATES WITH TJ-126
- 2) NEXUS ORDER NUMBER "TP-126-20"
- 3) SOLDER TIN DIP TYPE "SN60"

B TP-126-20CP



THIS DOCUMENT CONTAINS PROPRIETARY INFORMATION OF NEXUS, INCORPORATED AND SUCH INFORMATION MAY NOT BE DISCLOSED TO OTHERS FOR ANY PURPOSE OR USED FOR ANY PURPOSE WITHOUT THE WRITTEN CONSENT OF NEXUS.

LET.	REVISION	CN #	DATE	CHK.
A	NEW RELEASE	223	5/1 2015	HR

DWN.BY	HR	DATE	5/1/15
CHECKED BY		DATE	
APPR.BY		DATE	
UNLESS OTHERWISE SPECIFIED: DIMENSIONS ARE IN INCHES &/OR (mm)			
TOLERANCES:			
DECIMAL: .XX[X.X] ± .0X[0.X]		.XXX[X.XX] ± .00X[0.0X]	
FRACTION: X/X ± X/XX		ANGLES: X ± .X°	

MATERIAL		FINISH	
WEIGHT	SCALE = 1.00 :1	NEXUS STAMFORD, CONN	
TITLE			
STACK ASSEMBLY		SIZE	DWG. NO.
DO NOT SCALE DWG.		B	TP-126-20CP
SHEET 1 OF 1			