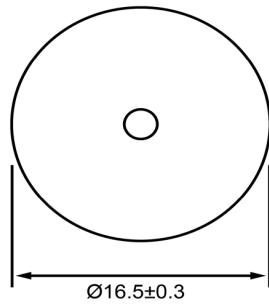
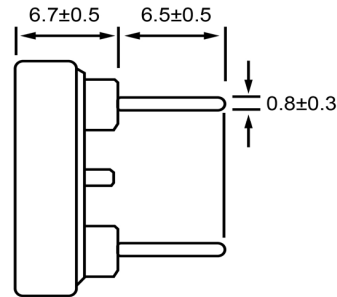


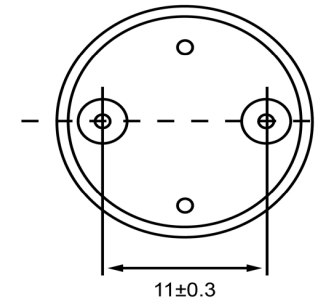
TOP VIEW





SIDE VIEW



BOTTOM VIEW



Specifications			Notes	Revision History						
Description	Value	Unit		Version	Description		Date	Approved		
Technology	Piezo		1) All dimensions are in mm unless otherwise noted 2) All parts meet RoHS	1	Released from Engineering		10/21/2013	J.S		
Resonant Frequency	4,000	(Hz)								
Rated Voltage	3	(V)								
SPL @ 10cm	75	(dBA)								
Capacitance	10,000	(pF)								
Mount Type	Thru Hole									
Voltage Range	1 ~ 25	(V)								
Max Rated Current	5	(mA)								
Housing Material	NORYL									
Operating Temperature	-20 ~ +60	°C								
Storage Temperature	-20 ~ +60	°C								
Weight	5	(g)								
 <b>DB UNLIMITED</b>						<b>TP164003-2</b>				

Additional considerations can be found at [www.dbunlimitedco.com/technical-articles](http://www.dbunlimitedco.com/technical-articles).