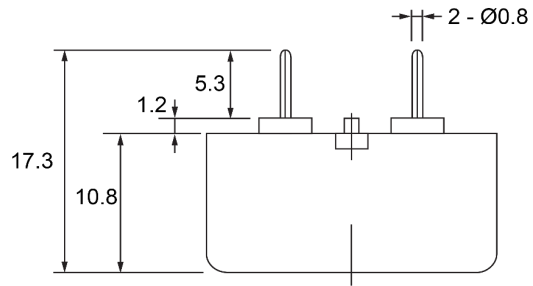
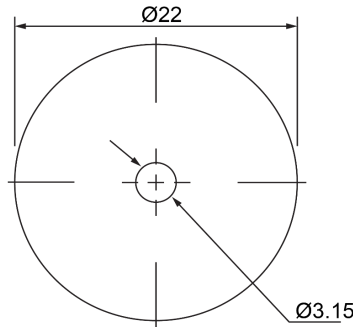


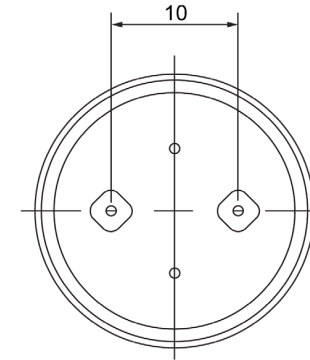
SIDE VIEW





TOP VIEW



BOTTOM VIEW



| Specifications | | | Notes | Revision History | | | | | | |
|---|-----------|-------|--|------------------|---------------------------|-------------------|------------|----------|--|--|
| Description | Value | Unit | | Version | Description | | Date | Approved | | |
| Technology | Piezo | | 1) All dimensions are in mm unless otherwise noted 2) All parts meet RoHS | 1 | Released from Engineering | | 10/21/2013 | J.S | | |
| Resonant Frequency | 2,000 | (Hz) | | | | | | | | |
| Rated Voltage | 3 | (V) | | | | | | | | |
| SPL @ 10cm | 70 | (dBA) | | | | | | | | |
| Capacitance | 30,000 | (pF) | | | | | | | | |
| Mount Type | Thru Hole | | | | | | | | | |
| Voltage Range | 1 ~ 30 | (V) | | | | | | | | |
| Max Rated Current | 3 | (mA) | | | | | | | | |
| Housing Material | PBT | | | | | | | | | |
| Operating Temperature | -30 ~ +70 | °C | | | | | | | | |
| Storage Temperature | -40 ~ +80 | °C | | | | | | | | |
| Weight | 3.2 | (g) | | | | | | | | |
|  DB UNLIMITED | | |  | | | TP222003-1 | | | | |
| | | | | | | | | | | |

Additional considerations can be found at www.dbunlimitedco.com/technical-articles.