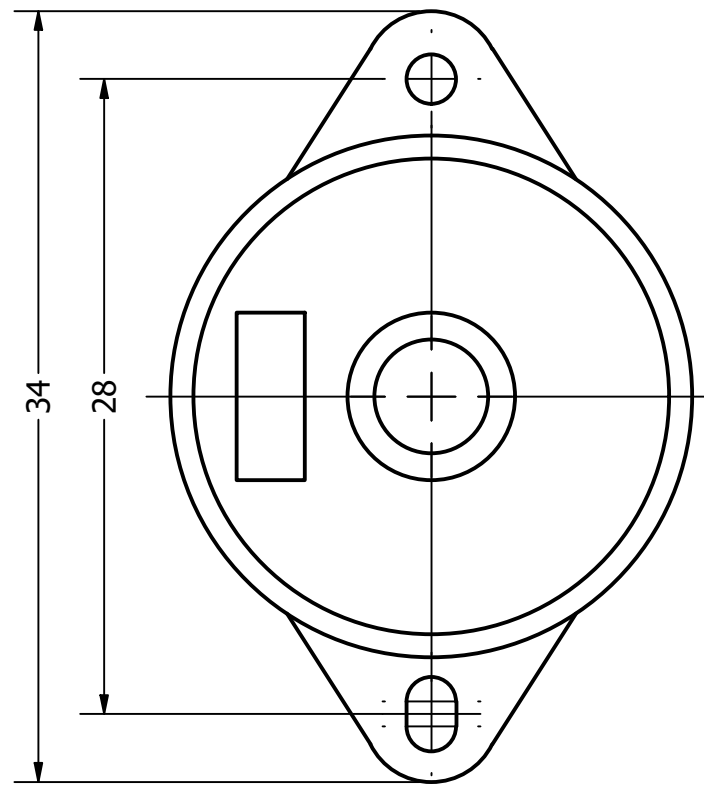
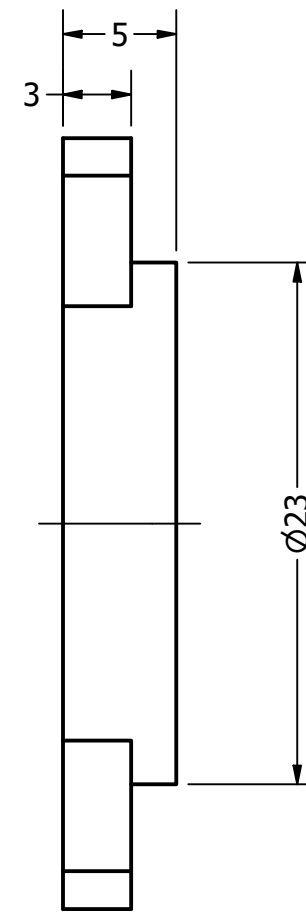


Part Number:	TP234012-1	
DESCRIPTION:	Piezo Transducer	
DRAWN	CJ	11/2/2023
CHECKED	P.D.	11/6/2023
APPROVED	J.S.	11/6/2023
This document contains data proprietary to DB Unlimited. Any use or reproduction, in any form, without prior written permission of DB Unlimited is prohibited. All terms and conditions can be found at www.dbunlimitedco.com		

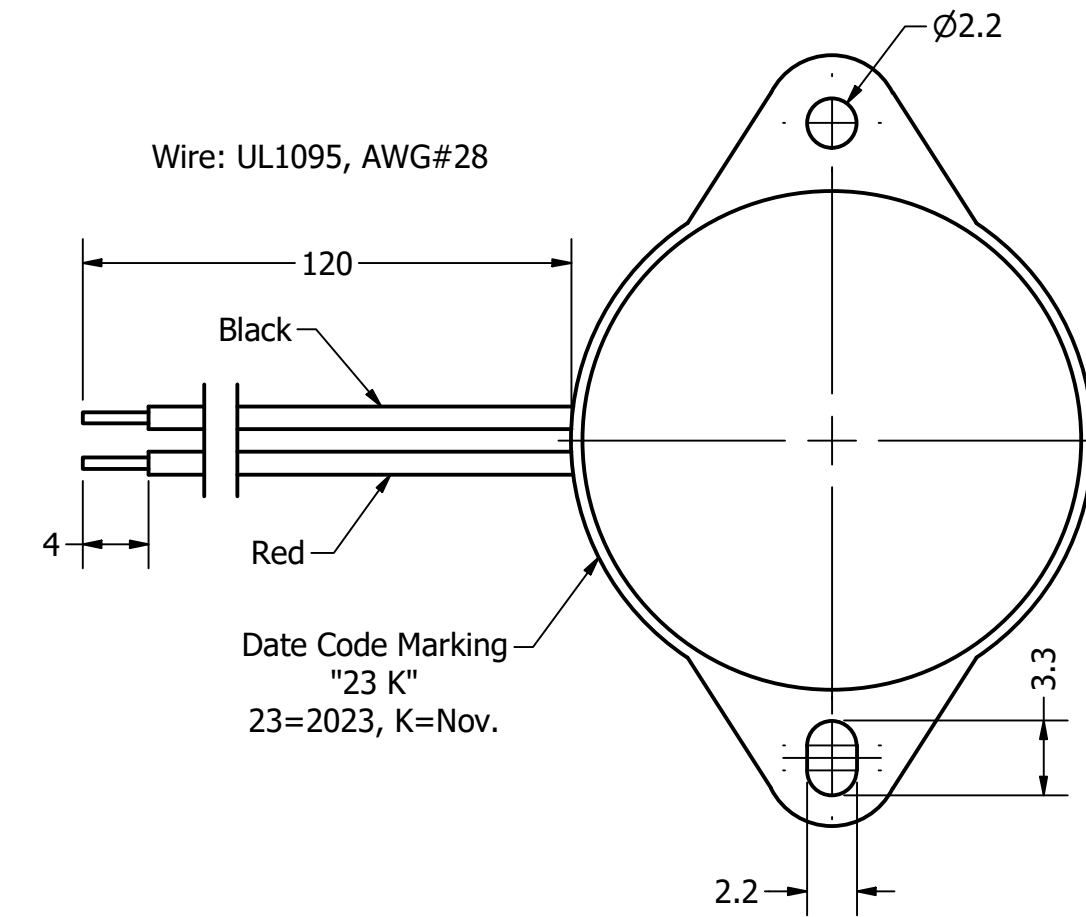
Top View



Side View



Bottom View



Items	Specifications	Conditions
Min. Sound Pressure Level	89	dB (@ 10cm)
Resonant Frequency	4,000	Hz
Rated Voltage	12	V
Voltage Range	1 ~ 40	V
Capacitance	24,000	pF
Max. Rated Current	7	mA
Storage Temperature	-20 ~ +60	°C
Operating Temperature	-20 ~ +60	°C
Connection Method	Lead Wires	
Mount Type	Flange Mount	
Housing Material	ABS	
Weight	2	g

REVISION HISTORY

REV	DESCRIPTION	DATE	APPROVED
	Released from Engineering	10/21/2013	J.S.
1	Updated to new template	11/6/2023	P.D.

NOTES

- 1) All dimensions are in mm unless otherwise noted
- 2) All tolerances are ± 0.5 mm unless otherwise noted
- 3) All parts meet RoHS
- 4) Subject to change or redrawn without notice