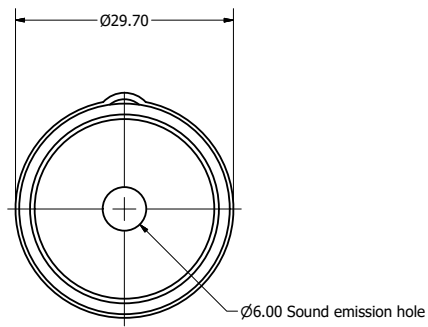
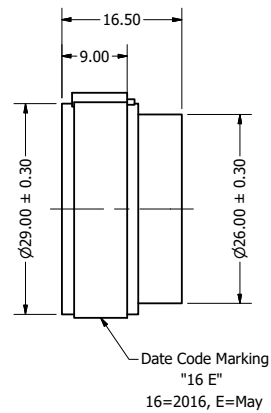


Part Number:	TP293409-1	
	DRAWN	5/16/2016
	CJ	
Description:	Piezo Transducer	
	CHECKED	5/18/2016
	P.D.	
	APPROVED	5/18/2016
	J.S.	
<small>This document contains data proprietary to DB Unlimited. Any use or reproduction, in any form, without prior written permission of DB Unlimited is prohibited. All terms and conditions can be found at www.dbunlimitedco.com</small>		

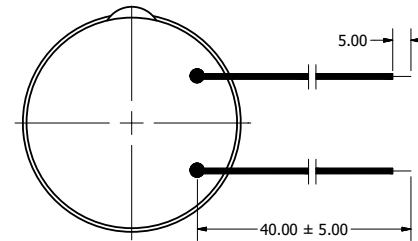
Top View



Side View



Bottom View



Items	Specifications	Conditions
Sound Pressure Level	109	dB (@ 10cm)
Resonant Frequency	3,400	Hz
Rated Voltage	9	V
Voltage Range	9 ~ 28	V
Capacitance	25,000	pF (@ 120 Hz)
Max. Rated Current	180	mA
Storage Temperature	-30 ~ +70	°C
Operating Temperature	-20 ~ +60	°C
Connection Method	Lead Wires	
Mount Type	Flush Mount	
Housing Material	ABS	
Weight	8	g

REVISION HISTORY

REV	DESCRIPTION	DATE	APPROVED
1	Released from Engineering	10/21/2013	J.S.
1	Updated to new template	5/18/2016	J.S.
2	Corrected SPL	5/18/2017	C.E.

NOTES

- 1) All dimensions are in mm unless otherwise noted
- 2) All tolerances are ± 0.5 mm unless otherwise noted
- 3) All parts meet RoHS
- 4) Subject to change or redrawn without notice