

OPTIGA™ TPM

SLB 9673 TPM2.0

Data Sheet

Devices

- SLB 9673XU2.0 FW26.xx
- SLB 9673AU2.0 FW26.xx

Key features

- Optimized TPM device for IoT and ICT applications
- Compliant to TPM Main Specification, Family "2.0", Level 00, Revision 01.59
- Certifications:
 - CC, Version 3.1 Rev.5, level EAL4+, AVA_VAN.4 (moderate) according to TCG PC Client TPM Protection Profile (targeted)
 - FIPS 140-2 level 2 (physical security level 3) (targeted)
- I2C interface
- Random Number Generator (RNG) implemented according to NIST SP800-90A using entropy source according to NIST SP800-90B
- Full personalization with 4 Endorsement Keys (EK) and 4 EK certificates (RSA 2048, RSA3072, ECC NIST P256, ECC NIST P384)
- Standard temperature range (-40°C .. +85°C) or enhanced temperature range (-40°C .. +105°C)
- PG-UQFN-32-1,-2 package
- Optimized for battery operated devices: low standby power consumption (typ. 120 µA)
- 24 PCRs (SHA-1, SHA-256 or SHA384)
- 51 kByte NV memory
- Unlimited amount of NV counters (only depending on NV memory utilization)
- Up to 3 loaded sessions (TPM_PT_HR_LOADED_MIN)
- Up to 64 active sessions (TPM_PT_ACTIVE_SESSIONS_MAX)
- Up to 3 loaded transient Objects (TPM_PT_HR_TRANSIENT_MIN)
- Up to 7 loaded persistent Objects (TPM_PT_HR_PERSISTENT_MIN)
- Pre-generation of up to 7 RSA key pairs
- RSA key generation (1024, 2048, 3072 and 4096 bit)
- ECC (NIST P256, BN P256, NIST P384)
- SHA1, SHA256, SHA384

About this document

Scope and purpose

This data sheet describes the OPTIGA™ TPM SLB 9673 FW26.xx Trusted Platform Module together with its features, functionality and programming interface.

Intended audience

This data sheet is primarily intended for system developers.

Table of contents

1	Overview	6
1.1	Power management	6
1.2	Device address	6
2	Device types and ordering information	6
3	Pin description	7
3.1	Typical schematic	9
4	TPM properties	10
4.1	TPM register polling	10
5	Electrical characteristics	11
5.1	Absolute maximum ratings	11
5.2	Functional operating range	11
5.3	DC characteristics	12
5.4	AC characteristics	13
5.4.1	I2C Interface Characteristics	13
5.5	Timing	15
6	Package dimensions (UQFN)	16
6.1	Packing type	16
6.2	Recommended footprint	17
6.3	Chip marking	17

List of figures

List of figures

Figure 1	Pinout of the OPTIGA™ TPM SLB 9673 (PG-UQFN-32-1,-2 package, top view)	7
Figure 2	Typical schematic.....	9
Figure 3	Reset timing.....	13
Figure 4	Package dimensions PG-UQFN-32-1,-2	16
Figure 5	Tape & reel dimensions PG-UQFN-32-1,-2	16
Figure 6	Recommended footprint PG-UQFN-32-1,-2	17
Figure 7	Chip marking	17

List of tables

List of tables

Table 1	Device configuration	6
Table 2	Buffer types	7
Table 3	I/O Signals	7
Table 4	Power supply	8
Table 5	Not connected	8
Table 6	Infineon TPM property values	10
Table 7	Absolute maximum ratings	11
Table 8	Functional operating range	11
Table 9	Current consumption	12
Table 10	DC characteristics of interface pins (SCL, SDA, TEST#, RST#, I2C_PIRQ#)	12
Table 11	DC characteristics of GPIO pins	12
Table 12	Power supply	13
Table 13	Device reset	13
Table 14	I2C Standard Mode Interface Characteristics	13
Table 15	I2C Fast Mode Interface Characteristics	14
Table 16	I2C Fast Mode plus Interface Characteristics	15

Overview

1 Overview

The OPTIGA™ TPM SLB 9673 is a Trusted Platform Module. It is available in PG-UQFN-32-1,-2 package. It supports an I2C interface with a transfer rate of up to 1 MHz. The OPTIGA™ TPM SLB 9673 is a TPM based on TCG family 2.0 specifications (see [1] and [2]).

This TPM product is targeted to be certified, using the Common Criteria for Information Technology Security Evaluation (CC), Version 3.1 Rev.5, in the level EAL4+, AVA_VAN.4 (moderate), ALC_FLR.1 according to the Protection Profile PC Client Specific TPM, TPM Library Specification Family "2.0" Level 0 Revision 1.59 (CERTIFICATE <td>¹⁾).

1.1 Power management

In the OPTIGA™ TPM SLB 9673, power management is handled internally; no explicit power-down or standby mode is available. The device automatically enters a low-power state after each successful command/response transaction. If a transaction is started on the I2C bus from the host platform, the device will wake immediately and will return to the low-power mode after the transaction has been finished.

1.2 Device address

The I2C interface uses 7-bit addressing. The default address of the device is 0x2E (also see [2]).

2 Device types and ordering information

The OPTIGA™ TPM SLB 9673 product family features devices using an UQFN package. **Table 1** shows the available versions.

Table 1 Device configuration

Device Name	Package	Remarks
SLB 9673XU2.0 FW26.xx	PG-UQFN-32-1,-2	Standard temperature range -40°C - 85°C
SLB 9673AU2.0 FW26.xx	PG-UQFN-32-1,-2	Enhanced temperature range -40°C - 105°C

1) Exact reference not yet available at document generation time

Pin description

3 Pin description

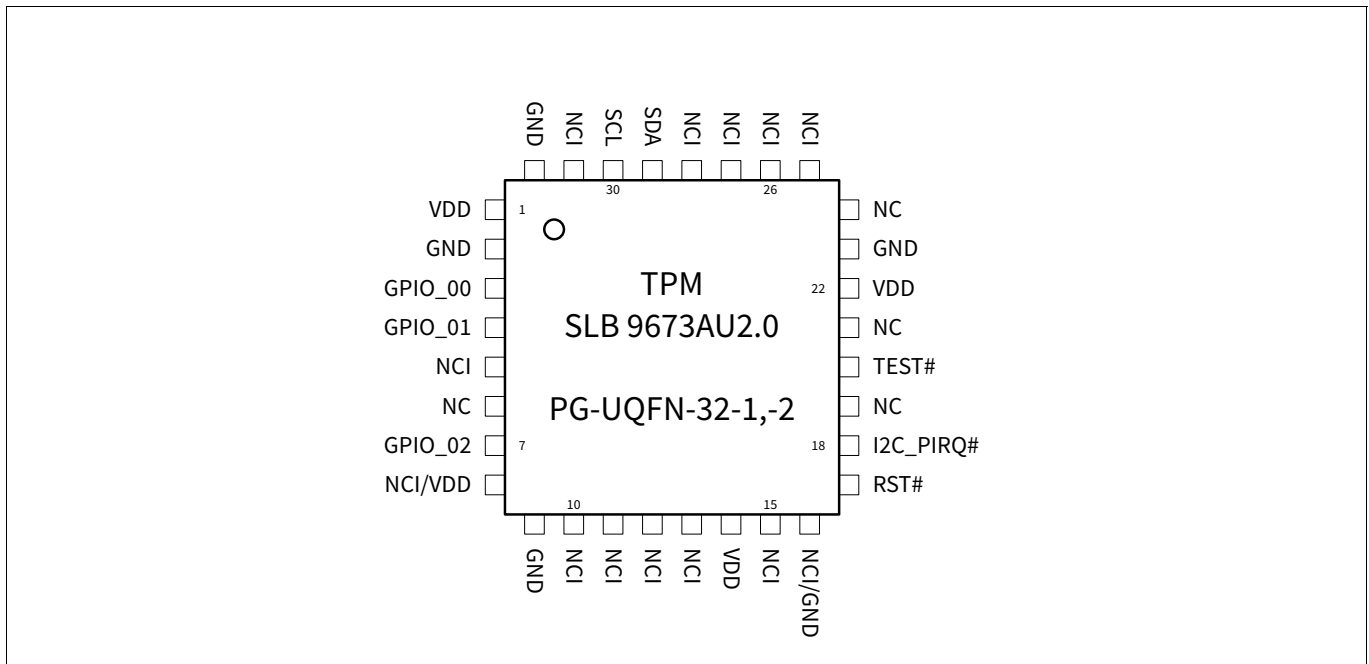


Figure 1 Pinout of the OPTIGA™ TPM SLB 9673 (PG-UQFN-32-1,-2 package, top view)

Table 2 Buffer types

Buffer type	Description
TS	Tri-state pin
ST	Schmitt-trigger pin
OD	Open-drain pin

Table 3 I/O Signals

Pin number	Name	Pin type	Buffer type	Function
PG-UQFN-32-1,-2				
30	SCL	I	ST	I2C bus clock signal The clock signal of the I2C bus.
29	SDA	I/O	TS	I2C bus data signal The data signal of the I2C bus.
18	I2C_PIRQ#	O	OD	Interrupt signal This pin can be connected to the host interrupt controller to allow interrupt driven reads of the response data instead of polling. As soon as a response is available, the signal is asserted (low) and remains active until the complete response is read by the host.
17	RST#	I	ST	Reset External reset signal. Asserting this pin unconditionally resets the device. The signal is active low. This pin has a weak internal pull-up resistor.

Pin description

Table 3 I/O Signals (continued)

Pin number	Name	Pin type	Buffer type	Function
PG-UQFN-32-1,-2				
20	TEST#	I	ST	Test Test signal, must be externally connected to a static high level.
3	GPIO_00	I/O	TS	General purpose IO This pin may be left unconnected; it has an internal pull-up resistor. It can be controlled via TPM NV GPIO functionality.
4	GPIO_01	I/O	TS	General purpose IO This pin may be left unconnected; it has an internal pull-up resistor. It can be controlled via TPM NV GPIO functionality.
7	GPIO_02	I/O	TS	General purpose IO This pin may be left unconnected; it has an internal pull-up resistor. It can be controlled via TPM NV GPIO functionality.

Table 4 Power supply

Pin number	Name	Pin type	Buffer type	Function
PG-UQFN-32-1,-2				
1, 14, 22	VDD	PWR	—	Power supply All VDD pins must be connected externally and should be bypassed to GND via 100 nF capacitors.
2, 9, 23, 32	GND	GND	—	Ground All GND pins must be connected externally.

Table 5 Not connected

Pin number	Name	Pin type	Buffer type	Function
PG-UQFN-32-1,-2				
6, 19, 21, 24	NC	NU	—	No connect All pins must not be connected externally (must be left floating).
5, 10 - 13, 15, 25 - 28, 31	NCI	—	—	Not connected internally All pins are not connected internally (can be connected externally).
8	NCI/VDD	—	—	Not connected internally/VDD This pin is not connected internally (can be connected externally). Note that pin 8 is defined as VDD in the TCG specification [2]. To be compliant, VDD can be connected to this pin.
16	NCI/GND	—	—	Not connected internally/GND This pin is not connected internally (can be connected externally). Note that pin 16 is defined as GND in the TCG specification [2]. To be compliant, GND can be connected to this pins.

Pin description

3.1 Typical schematic

Figure 2 shows the typical schematic for the OPTIGA™ TPM SLB 9673. The power supply pins should be bypassed to GND with capacitors located close to the device.

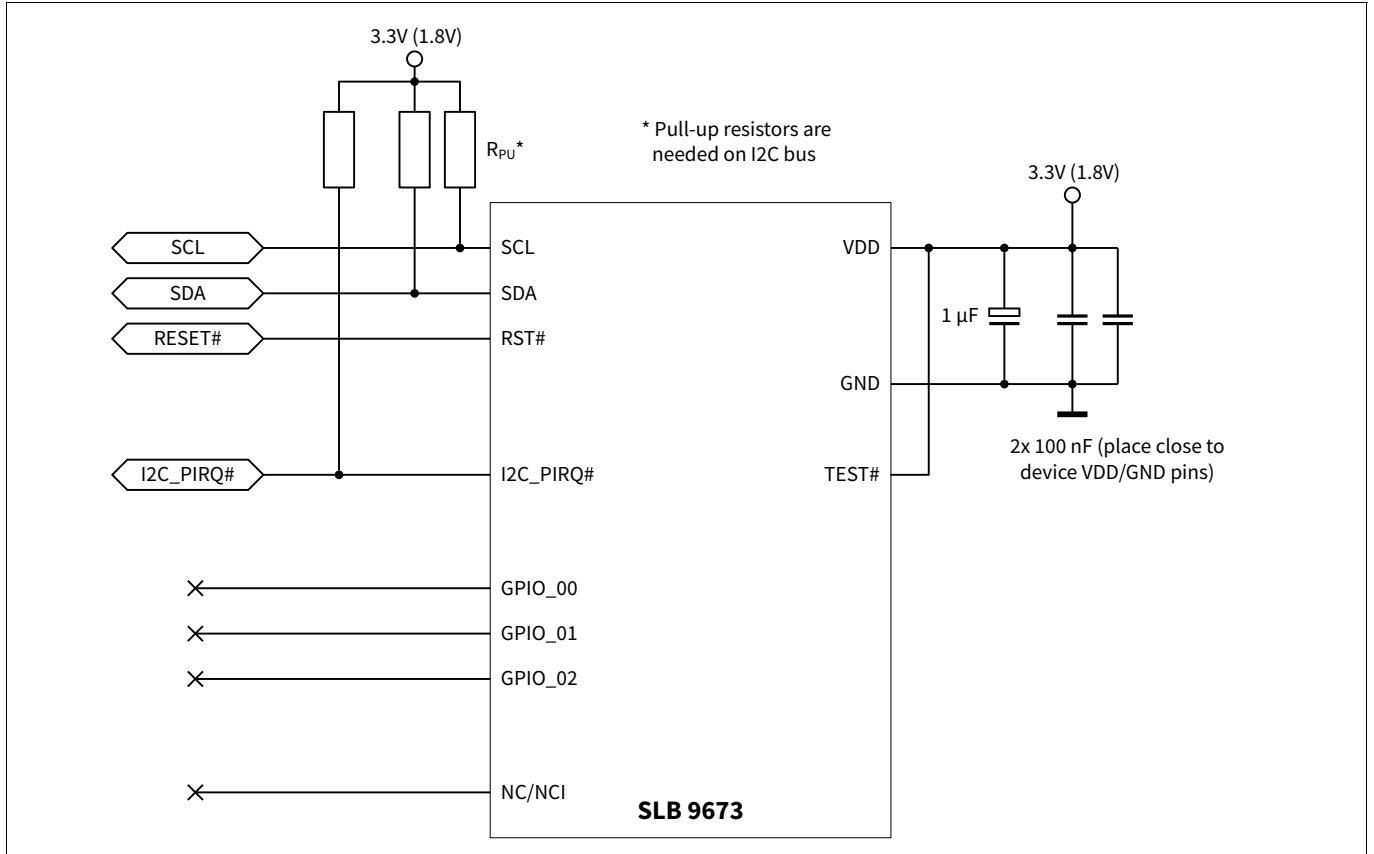


Figure 2 Typical schematic

TPM properties

4 TPM properties

Properties defined within the TPM can be read with the command TPM2_GetCapability. The values are vendor dependent or determined by a platform-specific specification. The following properties are returned by the Infineon OPTIGA™ TPM SLB 9673 using the command TPM2_GetCapability (capability = TPM_CAP_TPM_PROPERTIES):

Table 6 Infineon TPM property values

TPM_PT_MANUFACTURER	“IFX”
TPM_PT_VENDOR_STRING_1	“SLB9”
TPM_PT_VENDOR_STRING_2	“673”
TPM_PT_VENDOR_STRING_3	NULL
TPM_PT_VENDOR_STRING_4	NULL
TPM_PT_FIRMWARE_VERSION_1	Major and minor version (for instance, 0x001A000A indicates V26.10) ¹⁾
TPM_PT_FIRMWARE_VERSION_2	Build number and Common Criteria certification state (for instance, 0x00413000 or 0x00413002) ¹⁾ Byte 1: reserved for future use (0x00) Byte 2 and 3: Build number (for instance, 0x4130) ¹⁾ Byte 4: Common Criteria certification state/mode: 0x00 = TPM operational mode/TPM is CC certified 0x02 = TPM operational mode/TPM is not certified 0x60 = Manually entered TPM firmware recovery mode (triggered externally for testing purposes) 0x61 = TPM firmware recovery mode (triggered by code integrity failure detection) 0x62 = TPM firmware update mode
TPM_PT_MODES	Bit 0 (FIPS_140_2) = 1 Bits 1..31 = 0

1) The build- and version numbers given here are examples and do not necessarily match the numbers of the device this data sheet has been provided for.

4.1 TPM register polling

Processing of accesses to registers creates a load on the TPM.

If registers are polled in quick succession, the time until the TPM reaches the target state is increased, which decreases performance and may even lead to violation of maximum timeout values.

To prevent this, a minimum delay between register read accesses must be respected when polling:

- Minimum delay between TPM register reads for polling of TPM_STS_x during command execution: 1 ms
- Minimum delay between TPM register reads for polling of TPM_STS_x after device reset before commandReady set: 1 ms
- Minimum delay between TPM register reads for all other TPM register polling, including TPM_STS_x.commandReady set between command, TPM_STS_x.valid and TPM_STS_x.burstCount: 100 µs

Electrical characteristics

5 Electrical characteristics

This chapter lists the maximum and operating ranges for various electrical and timing parameters.

5.1 Absolute maximum ratings

Table 7 Absolute maximum ratings

Parameter	Symbol	Values			Unit	Note or Test Condition
		Min.	Typ.	Max.		
Supply Voltage	V_{DD}	-0.3	–	4.1	V	–
Voltage on any pin	V_{max}	-0.5	–	4.1	V	–
Ambient temperature	T_A	-40	–	85	°C	Standard temperature SLB 9673XU2.0 devices
Ambient temperature	T_A	-40	–	105	°C	Enhanced temperature SLB 9673AU2.0 devices
Storage temperature	T_S	-40	–	125	°C	–
ESD robustness HBM: 1.5 kΩ, 100 pF	$V_{ESD,HBM}$	–	–	2000	V	According to EIA/JESD22-A114-B
ESD robustness	$V_{ESD,CDM}$	–	–	500	V	According to ESD Association Standard STM5.3.1 - 1999
Latchup immunity	I_{latch}			100	mA	According to EIA/JESD78

Attention: Stresses above the max. values listed here may cause permanent damage to the device. Exposure to absolute maximum rating conditions for extended periods may affect device reliability. Maximum ratings are absolute ratings; exceeding only one of these values may cause irreversible damage to the integrated circuit.

5.2 Functional operating range

Table 8 Functional operating range

Parameter	Symbol	Values			Unit	Note or Test Condition
		Min.	Typ.	Max.		
Supply Voltage	V_{DD}	3.0	3.3	3.6	V	–
		1.65	1.8	1.95	V	–
Ambient temperature	T_A	-40	–	85	°C	Standard temperature SLB 9673XU2.0 devices
Ambient temperature	T_A	-40	–	105	°C	Enhanced temperature SLB 9673AU2.0 devices
Useful lifetime		–	–	10	y	
Operating lifetime		–	–	10	y	
Average T_A over lifetime		–	55	–	°C	

Electrical characteristics

5.3 DC characteristics

$T_A = 25^\circ\text{C}$, $V_{DD} = 3.3\text{ V} \pm 0.3\text{ V}$ or $V_{DD} = 1.8\text{ V} \pm 0.15\text{ V}$ unless otherwise noted.

Table 9 Current consumption

Parameter	Symbol	Values			Unit	Note or Test Condition
		Min.	Typ.	Max.		
Current Consumption in Active Mode	I_{VDD_Active}			35	mA	
Current Consumption in Sleep Mode	I_{VDD_Sleep}		120		μA	Pins GPIO, RST# and I2C_PIRQ# = V_{DD} , no I2C bus activity

Note: Current consumption does not include any currents flowing through resistive loads on output pins!

Note: Device sleep mode will be entered after 50 milliseconds of inactivity after the last TPM command was executed.

Table 10 DC characteristics of interface pins (SCL, SDA, TEST#, RST#, I2C_PIRQ#)

Parameter	Symbol	Values			Unit	Note or Test Condition
		Min.	Typ.	Max.		
Input voltage high	V_{IH}	$0.7 V_{DD}$		$V_{DD}+0.5$	V	—
Input voltage low	V_{IL}	-0.5		$0.3 V_{DD}$	V	—
Input leakage current	I_{LEAK}	-2		2	μA	$0\text{ V} < V_{IN} < V_{DD}$
Output high voltage	V_{OH}	$0.9 V_{DD}$			V	$I_{OH} = -100\ \mu\text{A}$
Output low voltage	V_{OL}			$0.1 V_{DD}$	V	$I_{OL} = 1.5\ \text{mA}$
Pad input capacitance	C_{IN}			10	pF	
Output load capacitance	C_{LOAD}			30	pF	

Table 11 DC characteristics of GPIO pins

Parameter	Symbol	Values			Unit	Note or Test Condition
		Min.	Typ.	Max.		
Input voltage high	V_{IH}	$0.7 V_{DD}$		$V_{DD}+0.3$	V	Pins GPIO
Input voltage low	V_{IL}	-0.5		$0.3 V_{DD}$	V	Pins GPIO
Input leakage current	I_{LEAK}	-2		2	μA	$0\text{ V} < V_{IN} < V_{DD}$
Output high voltage	V_{OH}	$V_{DD}-0.3$			V	$I_{OH} = -1\ \text{mA}$, pins GPIO
Output low voltage	V_{OL}			0.3	V	$I_{OL} = 1\ \text{mA}$, pins GPIO
Pad input capacitance	C_{IN}			10	pF	Pins GPIO

Electrical characteristics

5.4 AC characteristics

$T_A = 25^\circ\text{C}$, $V_{DD} = 3.3\text{V} \pm 0.3\text{V}$ or $V_{DD} = 1.8\text{V} \pm 0.15\text{V}$ unless otherwise noted.

Table 12 Power supply

Parameter	Symbol	Values			Unit	Note or Test Condition
		Min.	Typ.	Max.		
Supply voltage rise time	t_{VDDR}			1.0	V/ns	

Table 13 Device reset

Parameter	Symbol	Values			Unit	Note or Test Condition
		Min.	Typ.	Max.		
Cold (Power-On) Reset	t_{POR}	80			μs	
Warm Reset	t_{WRST}	2			μs	

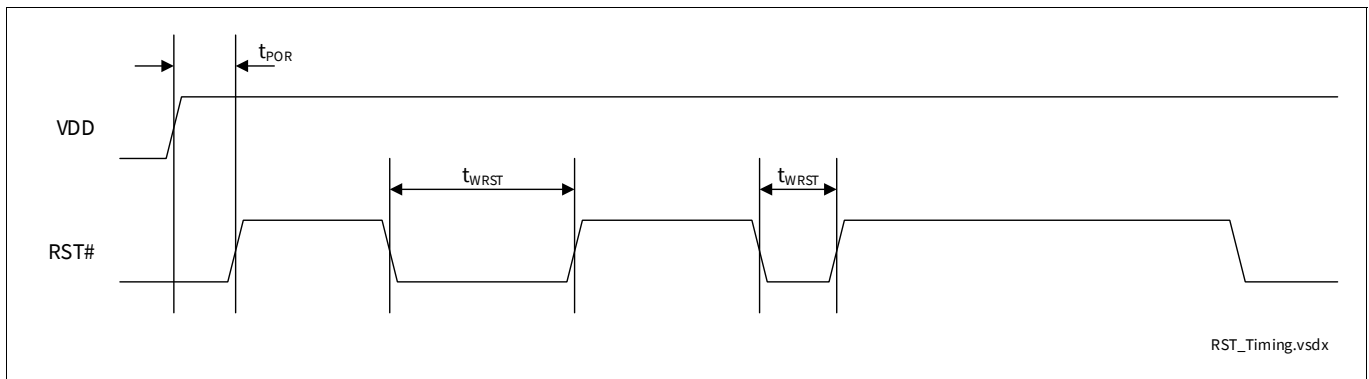


Figure 3 Reset timing

5.4.1 I2C Interface Characteristics

The electrical characteristics are compliant to the NXP I²C bus specification [1] for “standard-mode” ($f_{SCL} \leq 100\text{ kHz}$), “fast-mode” ($f_{SCL} \leq 400\text{ kHz}$) and “fast-mode plus” ($f_{SCL} \leq 1000\text{ kHz}$), with certain deviations stated in Table 14, Table 15, and Table 16 below.

For printed circuit board design the reduced output fall time t_{OF} compared to the NXP I²C bus specification needs to be considered!

$T_A = 25^\circ\text{C}$, $V_{DD} = 3.3\text{V} \pm 0.3\text{V}$ or $V_{DD} = 1.8\text{V} \pm 0.15\text{V}$ unless otherwise noted.

Table 14 I2C Standard Mode Interface Characteristics

Parameter	Symbol	Values			Unit	Note or Test Condition
		Min.	Typ.	Max.		
SCL clock frequency	f_{SCL}	0	—	100	kHz	—
Input voltage low	V_{IL}	-0.5	—	$0.3 V_{DD}$	V	—
Input voltage high	V_{IH}	$0.7 V_{DD}$	—	$V_{DD}+0.5$ or $V_{DD,max}$	V	Maximum = $\min(V_{DD}+0.5, V_{DD,max})$
Output low voltage	V_{OL}	—	—	0.4	V	$I_{OL} = 2\text{ mA}$, $V_{DD} \leq 2\text{ V}$

Electrical characteristics

Table 14 I2C Standard Mode Interface Characteristics (continued)

Parameter	Symbol	Values			Unit	Note or Test Condition
		Min.	Typ.	Max.		
Output low voltage	V_{OL}	—	—	0.4	V	$I_{OL} = 3 \text{ mA}, V_{DD} > 2 \text{ V}$
Low level output current	I_{OL}	2	—	—	mA	$V_{OL} = 0.4 \text{ V}, V_{DD} < 2.7 \text{ V}$
Low level output current	I_{OL}	3	—	—	mA	$V_{OL} = 0.4 \text{ V}, V_{DD} \geq 2.7 \text{ V}$
Output fall time from V_{IHmin} to V_{ILmax} (at device pin)	t_{OF}	—	—	250	ns	$C_b \leq 200 \text{ pF}, V_{DD} < 2.7 \text{ V}$
Output fall time from V_{IHmin} to V_{ILmax} (at device pin)	t_{OF}	—	—	250	ns	$C_b \leq 400 \text{ pF}, V_{DD} \geq 2.7 \text{ V}$
Capacitive load for each bus line	C_b	—	—	200	pF	$V_{DD} < 2.7 \text{ V}$
Capacitive load for each bus line	C_b	—	—	400	pF	$V_{DD} \geq 2.7 \text{ V}$

Table 15 I2C Fast Mode Interface Characteristics

Parameter	Symbol	Values			Unit	Note or Test Condition
		Min.	Typ.	Max.		
SCL clock frequency	f_{SCL}	0	—	400	kHz	—
Input voltage low	V_{IL}	-0.5	—	$0.3 V_{DD}$	V	—
Input voltage high	V_{IH}	$0.7 V_{DD}$	—	$V_{DD} + 0.5$ or $V_{DD,max}$	V	Maximum = $\min(V_{DD} + 0.5, V_{DD,max})$
Output low voltage	V_{OL}	—	—	0.4	V	$I_{OL} = 2 \text{ mA}, V_{DD} \leq 2 \text{ V}$
Output low voltage	V_{OL}	—	—	0.4	V	$I_{OL} = 3 \text{ mA}, V_{DD} > 2 \text{ V}$
Low level output current	I_{OL}	2	—	—	mA	$V_{OL} = 0.4 \text{ V}, V_{DD} < 2.7 \text{ V}$
Low level output current	I_{OL}	3	—	—	mA	$V_{OL} = 0.4 \text{ V}, V_{DD} \geq 2.7 \text{ V}$
Output fall time from V_{IHmin} to V_{ILmax} (at device pin)	t_{OF}	$20 \cdot V_{DD} / 5.5 \text{ V}$	—	250	ns	$C_{b,min} < C_b \leq 200 \text{ pF}, V_{DD} < 2.7 \text{ V}$
Output fall time from V_{IHmin} to V_{ILmax} (at device pin)	t_{OF}	$20 \cdot V_{DD} / 5.5 \text{ V}$	—	250	ns	$C_{b,min} < C_b \leq 400 \text{ pF}, V_{DD} \geq 2.7 \text{ V}$
Capacitive load for each bus line	C_b	15	—	200	pF	$V_{DD} < 2.7 \text{ V}$
Capacitive load for each bus line	C_b	15	—	400	pF	$V_{DD} \geq 2.7 \text{ V}$

Electrical characteristics

Table 16 I2C Fast Mode plus Interface Characteristics

Parameter	Symbol	Values			Unit	Note or Test Condition
		Min.	Typ.	Max.		
SCL clock frequency	f_{SCL}	0	—	1000	kHz	—
Input voltage low	V_{IL}	-0.5	—	$0.3 V_{DD}$	V	—
Input voltage high	V_{IH}	$0.7 V_{DD}$	—	$V_{DD}+0.5$ or $V_{DD,max}$	V	Maximum = $\min(V_{DD}+0.5, V_{DD,max})$
Output low voltage	V_{OL}	—	—	0.4	V	$I_{OL} = 2 \text{ mA}, V_{DD} \leq 2 \text{ V}$
Output low voltage	V_{OL}	—	—	0.4	V	$I_{OL} = 3 \text{ mA}, V_{DD} > 2 \text{ V}$
Low level output current	I_{OL}	2	—	—	mA	$V_{OL} = 0.4 \text{ V}, V_{DD} < 2.7 \text{ V}$
Low level output current	I_{OL}	3	—	—	mA	$V_{OL} = 0.4 \text{ V}, V_{DD} \geq 2.7 \text{ V}$
Output fall time from V_{IHmin} to V_{ILmax} (at device pin)	t_{OF}	$20 \cdot V_{DD} / 5.5 \text{ V}$	—	120	ns	$C_{b,min} < C_b \leq 150 \text{ pF}$
Capacitive load for each bus line	C_b	15	—	150	pF	

5.5 Timing

Some pads are disabled after deassertion of the reset signal for up to 500 μs .

The OPTIGA™ TPM SLB 9673 features security mechanisms which detect and count all resets.

Package dimensions (UQFN)

6 Package dimensions (UQFN)

All dimensions are given in millimeters (mm) unless otherwise noted. The packages are “green” and RoHS compliant.

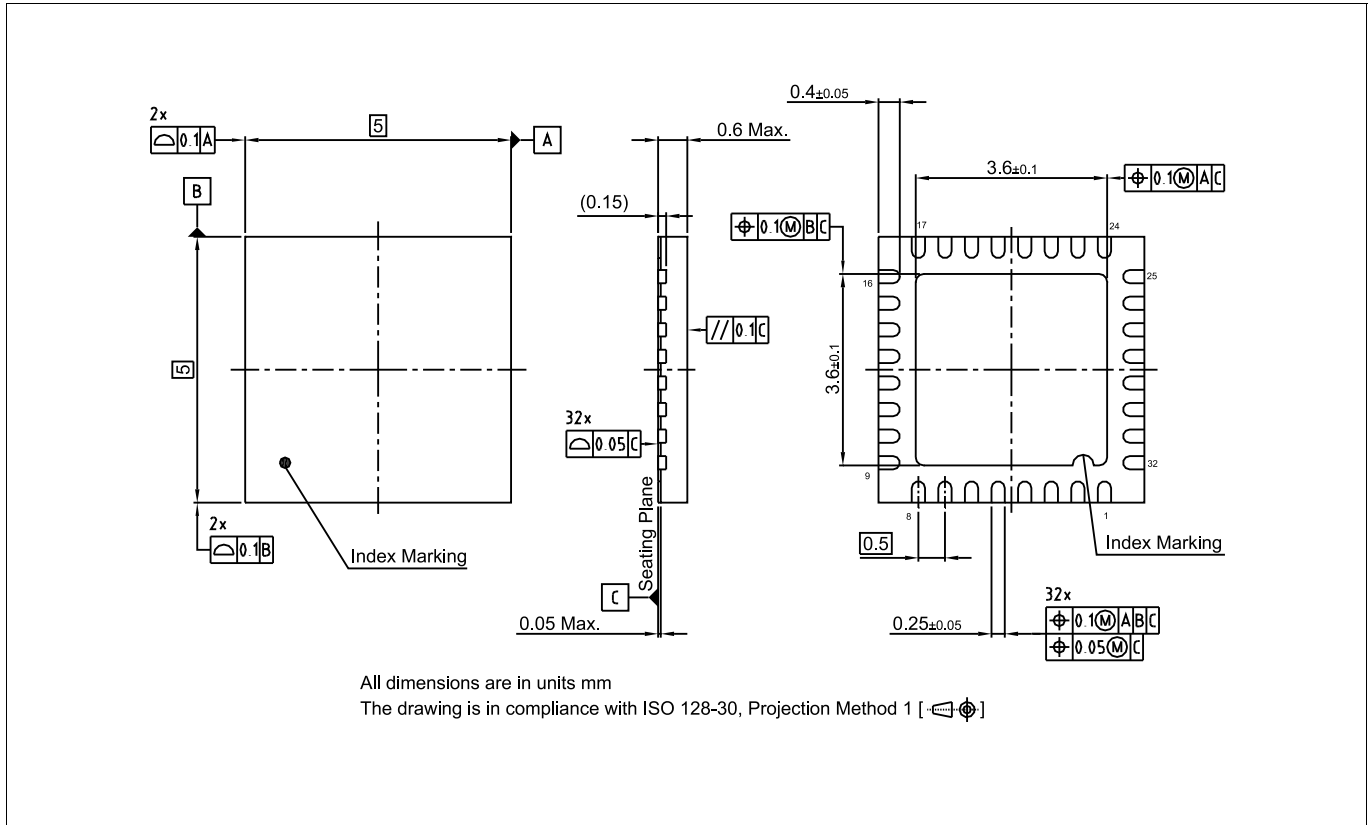


Figure 4 Package dimensions PG-UQFN-32-1,-2

6.1 Packing type

PG-UQFN-32-1,-2: Tape & Reel (reel diameter 330mm), 5000 pcs. per reel

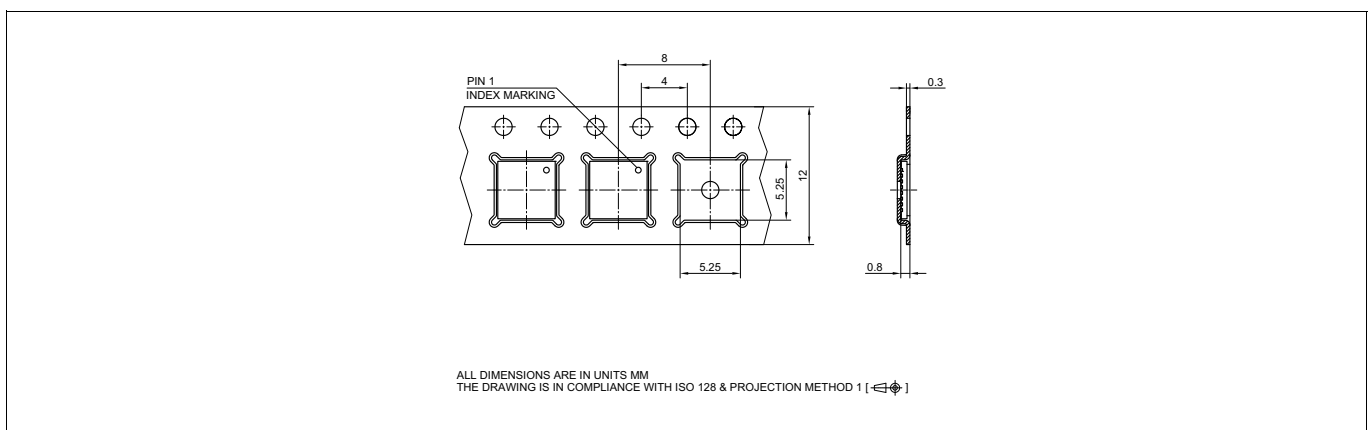


Figure 5 Tape & reel dimensions PG-UQFN-32-1,-2

Package dimensions (UQFN)

6.2 Recommended footprint

Figure 6 shows the recommended footprint for the package. The exposed pad of the package is internally connected to GND. It shall be connected to GND externally as well.

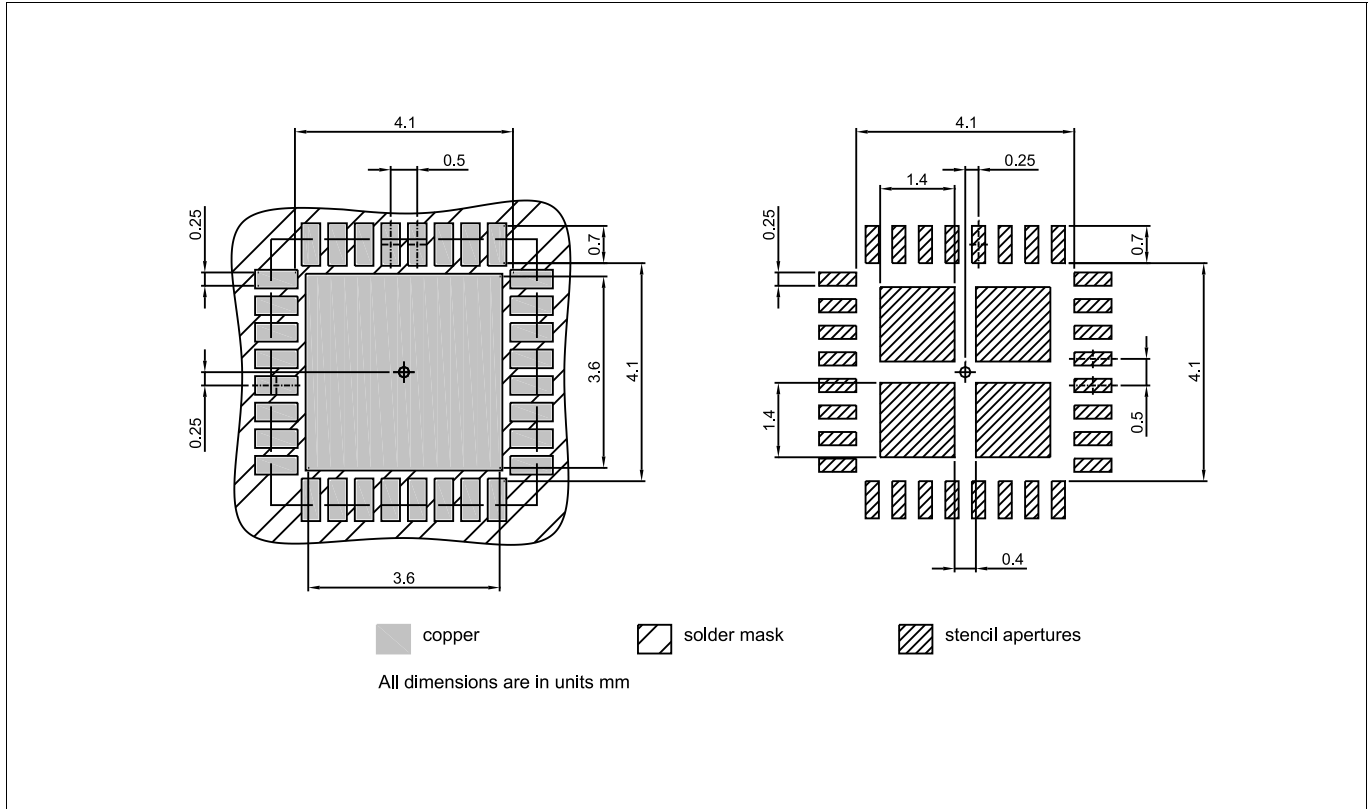


Figure 6 Recommended footprint PG-UQFN-32-1,-2

6.3 Chip marking

Line 1: SLB9673

Line 2: XU20 yy or AU20 yy (see **Table 1**), the <yy> is an internal FW indication (only at manufacturing due to field upgrade option)

Line 3: <Lot number> H <datecode>

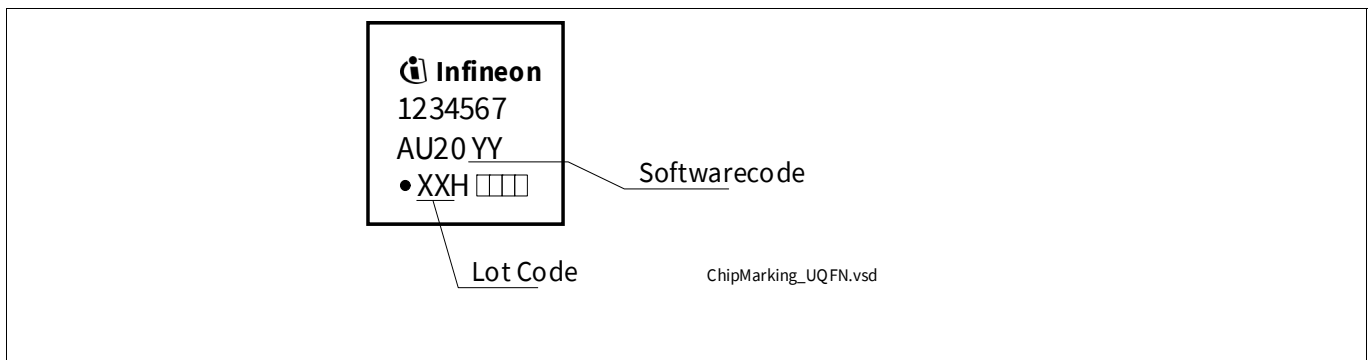


Figure 7 Chip marking

For details and recommendations regarding assembly of packages on PCBs, please refer to <http://www.infineon.com/cms/en/product/technology/packages/>

References

References

- [1] —, “Trusted Platform Module Library (Part 1-4)”, Family 2.0, Level 00, Rev. 01.59, November 8, 2019, TCG
- [2] —, “TCG PC Client Platform TPM Profile (PTP) Specification”, Family 2.0, Level 00, Rev. 01.05 v14, September 4, 2020, TCG
- [3] —, “Errata For TCG Trusted Platform Library, Family 2.0, Level 00, Rev. 01.59, November 8, 2019”, Errata Version 1.1, June 18, 2020, TCG
- [4] —, “Errata for PC Client Platform TPM Profile for TPM 2.0 Version 1.05 Revision 14”, Errata Version 1.0, September 04, 2020, TCG
- [5] —, “Registry of reserved TPM 2.0 handles and localities”, Version 1.1, Rev. 1.00, February 6, 2019, TCG
- [6] —, “TCG EK Credential Profile”, Version 2.3, Rev. 2, July 23, 2020, TCG
- [7] —, "NIST Special Publication 800-193, Platform Firmware Resiliency Guidelines", May, 2018, NIST

Terminology

Terminology

ESW	Embedded Software
HMAC	Hashed Message Authentication Code
I2C	Inter Integrated Circuit (bus)
ICT	Information and Communications Technology
IoT	Internet of Things
PCR	Platform Configuration Register
PUBEK	Public Endorsement Key
SPI	Serial Peripheral Interface (bus)
TCG	Trusted Computing Group
TPM	Trusted Platform Module
TSS	TCG Software Stack

Licenses and notices

The following license and notice statements are reproduced from [\[1\]](#).

Licenses and Notices

1. Copyright Licenses:

Trusted Computing Group (TCG) grants to the user of the source code in this specification (the "Source Code") a worldwide, irrevocable, nonexclusive, royalty free, copyright license to reproduce, create derivative works, distribute, display and perform the Source Code and derivative works thereof, and to grant others the rights granted herein. The TCG grants to the user of the other parts of the specification (other than the Source Code) the rights to reproduce, distribute, display, and perform the specification solely for the purpose of developing products based on such documents.

2. Source Code Distribution Conditions:

Redistributions of Source Code must retain the above copyright licenses, this list of conditions and the following disclaimers.

Redistributions in binary form must reproduce the above copyright licenses, this list of conditions and the following disclaimers in the documentation and/or other materials provided with the distribution.

3. Disclaimers:

THE COPYRIGHT LICENSES SET FORTH ABOVE DO NOT REPRESENT ANY FORM OF LICENSE OR WAIVER, EXPRESS OR IMPLIED, BY ESTOPPEL OR OTHERWISE, WITH RESPECT TO PATENT RIGHTS HELD BY TCG MEMBERS (OR OTHER THIRD PARTIES) THAT MAY BE NECESSARY TO IMPLEMENT THIS SPECIFICATION OR OTHERWISE. Contact TCG Administration (admin@trustedcomputinggroup.org) for information on specification licensing rights available through TCG membership agreements.

THIS SPECIFICATION IS PROVIDED "AS IS" WITH NO EXPRESS OR IMPLIED WARRANTIES WHATSOEVER, INCLUDING ANY WARRANTY OF MERCHANTABILITY OR FITNESS FOR A PARTICULAR PURPOSE, ACCURACY, COMPLETENESS, OR NONINFRINGEMENT OF INTELLECTUAL PROPERTY RIGHTS, OR ANY WARRANTY OTHERWISE ARISING OUT OF ANY PROPOSAL, SPECIFICATION OR SAMPLE.

Without limitation, TCG and its members and licensors disclaim all liability, including liability for infringement of any proprietary rights, relating to use of information in this specification and to the implementation of this specification, and TCG disclaims all liability for cost of procurement of substitute goods or services, lost profits, loss of use, loss of data or any incidental, consequential, direct, indirect, or special damages, whether under contract, tort, warranty or otherwise, arising in any way out of use or reliance upon this specification or any information herein.

Any marks and brands contained herein are the property of their respective owners.

Revision history

Page or item	Subjects (major changes since previous revision)
Revision 1.2, 2022-08-24	
	Fixed package designation in Figure 1 .
Revision 1.1, 2022-07-08	
	Added Section 4.1
Revision 1.0, 2022-05-25	
	Initial version