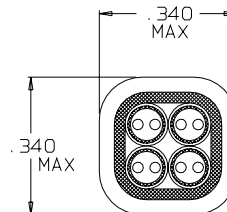
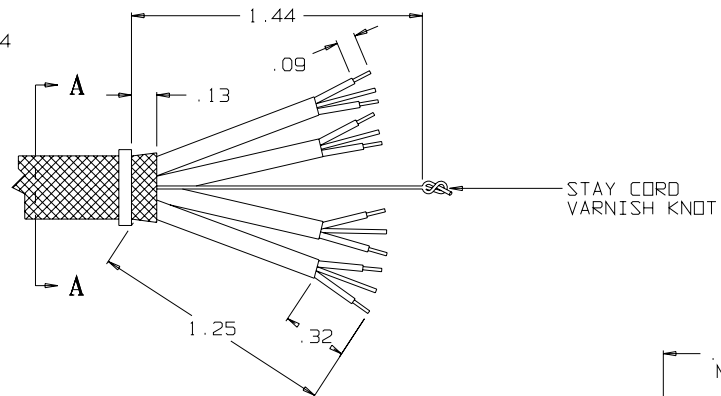
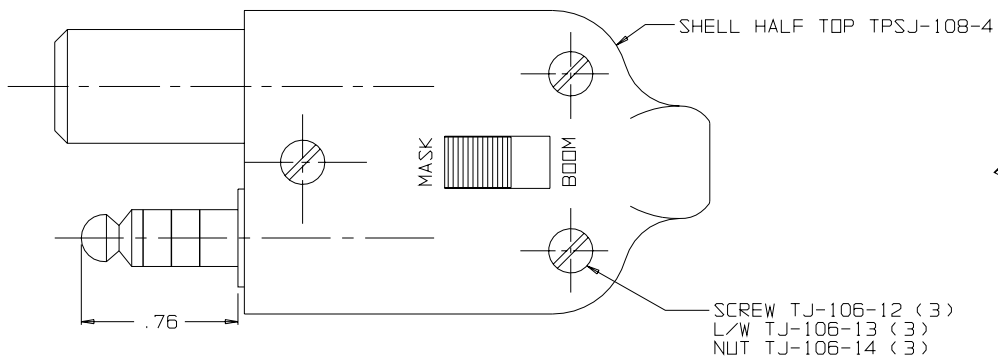
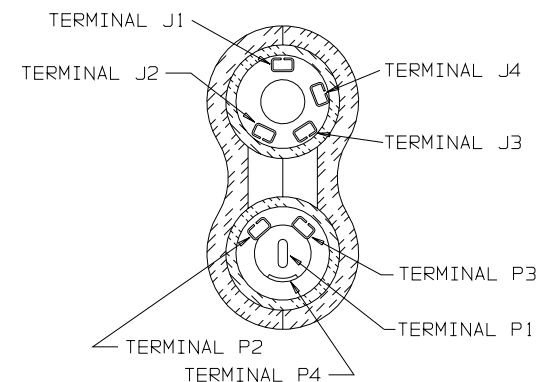
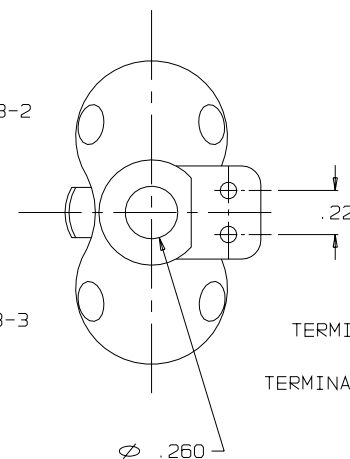


**C TPSJ-108**



**SECTION A-A**  
STRAIN RELIEF CLAMP TPSJ-108-2 AFTER CRIMPING SCALE 4:1



**SECTION A-A**

NOTES:  
1. ASSEMBLY TO BE LUBRICATED WITH LUBRIPLATE PART NO. L0034-006.

THIS DOCUMENT CONTAINS PROPRIETARY INFORMATION OF NEXUS, INCORPORATED AND SUCH INFORMATION MAY NOT BE DISCLOSED TO OTHERS FOR ANY PURPOSE OR USED FOR ANY PURPOSE WITHOUT THE WRITTEN CONSENT OF NEXUS.

DWN. BY <i>M.N.F.</i>	DATE 5/25/95	MATERIAL	
CHECKED BY	DATE	FINISH	
APPR. BY	DATE	WEIGHT	SCALE 2:1
UNLESS OTHERWISE SPECIFIED DIMENSIONS ARE IN INCHES TOLERANCES ON XX DECIMALS .XXX DECIMALS ANGLES +- .01 +- .005		TITLE <b>ASSEMBLY PLUG-TELEPHONE -BIAXIAL WITH MICROPHONE JACK AND SWITCH</b>	
LET.	REVISION	CN #	DATE
CHK.			
DO NOT SCALE DWG.		SHEET 1 OF 1	
<p style="text-align: center;"><b>NEXUS</b> STAMFORD, CONN</p>		SIZE	DWG. NO.
		<b>C</b>	<b>TPSJ-108</b>

CONTACT RIGHT HAND NOT SHOWN

VIEW WITH TOP HALF SHELL, BOARD TOP CONTACTS, SLIDE REMOVED

