

# TREK-722/723



## RISC All-in-One Mobile Data Terminal

### Features

- TI Cortex-A8 AM37X Series SOC
- Supports WinCE 6.0 and Android 4.0 (by project-based)
- 5" and 7" WVGA LCD with strengthened resistive touchscreen
- Vehicle diagnostics interface with CAN (Raw CAN, J1939) protocol
- Built-in GNSS, WLAN, Bluetooth, and WWAN modules
- Intelligent vehicle power management system supports ignition on/off/delay functions, wake-up event control, and system health monitoring and diagnostics
- Wide working temperature range (-20 ~60° C), supports 12/24V vehicle power (ISO7637-2) and shock and vibration tolerant (MIL-STD-810G and 5M3)

## Introduction

TREK-722/723 is an all-in-one RISC platform with 5"/7" display Mobile Data Terminal (MDT). The radio frequency options and programmable function keys make TREK-722/723 suitable for local fleet management, especially small truck, local delivery, government fleet and taxi. It is designed with vehicle power compliant to ISO7637-2 & SAE J1113 ensuring stability in cars with fluctuating power. With suspend/wakeup features, TREK-722/723 supports a 24/7 monitoring mechanism with periodic, digital input & WWAN wakeup.

## Specifications

		TREK-722	TREK-723	
Core	Processor	TI Cortex-A8 AM3703 (Single Core, 800MHz); AM3715 (Single Core, 1GHz) by project-based <sup>1</sup>		
	Memory	256MB LPDDR on board; 512MB by project-based <sup>1</sup>		
	Graphic	POWERVR SGX™ Graphics Accelerator of OpenGL ES 1.1/2.0, OpenVG1.0 by project-based <sup>1</sup>		
	O.S	WinCE 6.0 & Android 4.0 by project-based		
Storage	eMMC	2GB on board, support system boot up		
	SD Card	1 x external accessible push-push type SD slot with cover		
Display	Type	5" industrial grade TFT LCD	7" industrial grade TFT LCD	
	Resolution	WVGA (800 x 480)		
	Brightness (cd/m <sup>2</sup> )	350 cd/m <sup>2</sup> (typical)	400 cd/m <sup>2</sup> (typical)	
	View Angle (H/V)	140/120		
	Contrast Ratio	500		
	Backlight Life (Hrs)	20K		
Touchscreen	Type	4-wire analog resistive		
	Transparency	80% ± 3%		
Sensor	Light-Sensor	Sensitive to visible and infrared light		
I/O	Function Key	5 x programmable function keys with green LED		
	Reset Button	1 x Reset button (Bottom side)		
	Standard I/O Port		1 x USB Client Mini-B (Right side)	
			1 x USB 2.0 Host Type A (Right side)	
			1 x SIM Card Slot (Bottom side)	
	Extended I/O Port		1 x MIC/Mono Line In	
			1 x Stereo Line Out	
			1 x CVBS Input	
			1 x Y/C Input	
			1 x USB 2.0 Host	
		2 x 4-wire RS-232		
		2 x Isolated DI (Dry contact)		
	2 x Isolated DO (Open collector output, driving by replay)			
	1 x CAN Bus 2.0A/B (Support Raw CAN, J1939)			
RF	WLAN	IEEE 802.11 b/g/n <sup>2</sup>		
	Bluetooth	Bluetooth V2.1 + EDR		
	WWAN		GSM/GPRS: Cinterion TC63i via B2B connector	
			HSPA+/UMTS, GSM/GPRS/EDGE: Cinterion PH8 via B2B connector CDMA, EV-DO: Sierra Wireless AirPrime MC5728V via mini PCIe slot	
	GNSS	Build-in u-Blox LEA-6S module, support AGPS		
Antenna	Default all antennas are internal and support external <sup>3</sup>			
Power	Voltage input	Supports 12/24 V car power system. (6V ~ 36V wide DC input, ISO 7637-2 & SAE J1113 compliant.)		
	Intelligent Vehicle Power		System power on/off/suspend management (e.g. Programmable Ignition On/Off Time delay)	
			Support Wake up Events: - Alarm (RTC) Wake up. - Wake up by Call/SMS. System power protection System healthy monitoring and diagnostic (e.g. Programmable Car_Battery_Low Protection)	

\*1: TI AM3715 1GHz, DRAM 512MB with Graphic is for Android 4.0.

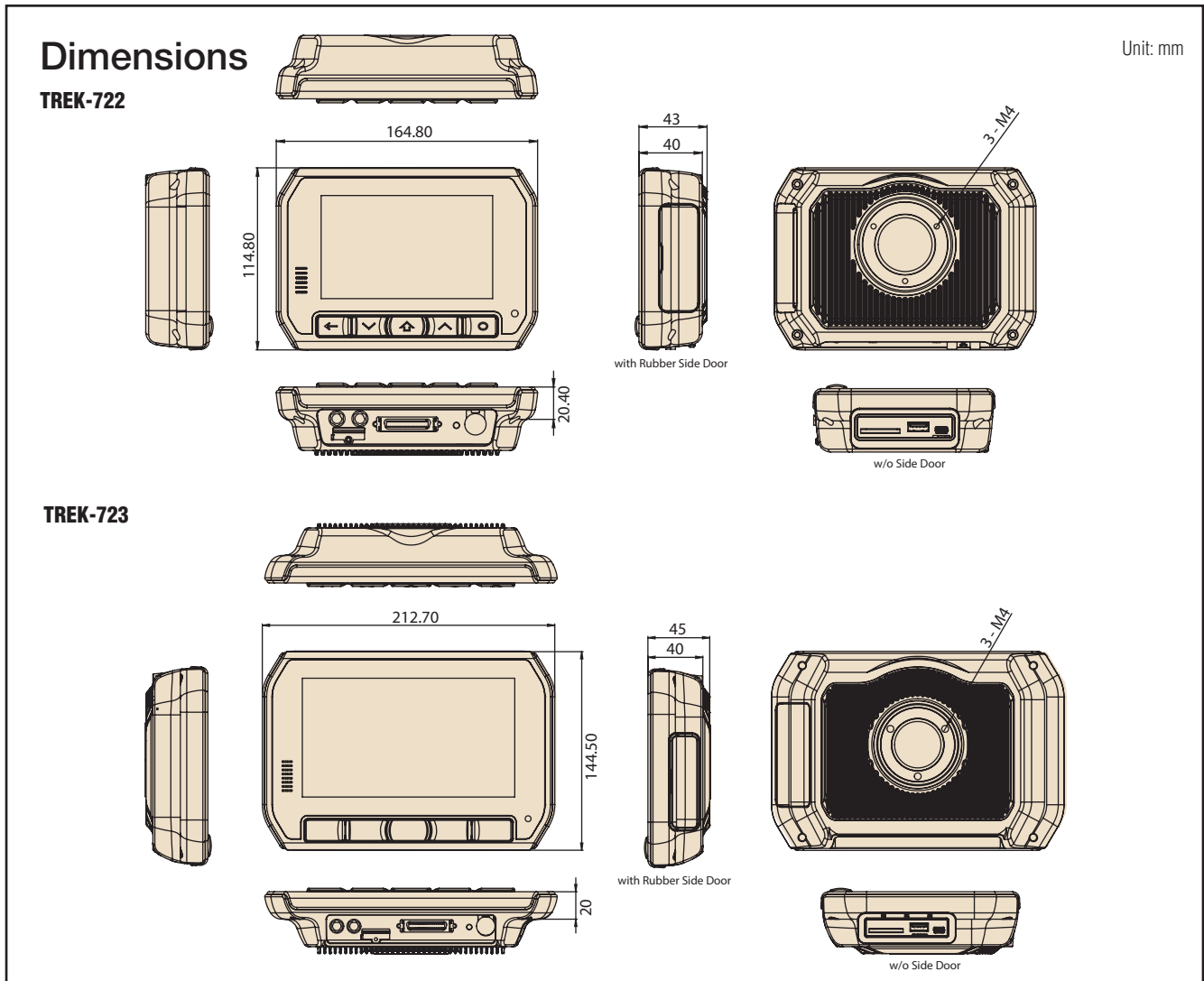
\*2: TREK-722 support BT only, TREK-723 support BT or WLAN only.

\*3: External antenna for better performance is limited by SMA numbers, pls check PN matrix.

# TREK-722/723

## Specifications Cont.

Mechanical	Dimensions (W x H x D)	165 x 115 x 43 mm	213 x 145 x 45 mm
	Weight	650 grams	850 grams
Environment	IP Rating	IP54 (except I/O plate at the bottom)	
	Vibration/Shock	MIL-STD-810G, EN60721-3(5M3)	
	EMC	CE, FCC, CCC	
	Safety	UL/cUL, CB	
Environment	Vehicle Regulation	E-Mark (E13) (12V/24V system), SAE J1455, ISO 7637-2, SAE J1113	
	RF Regulation	CE (R&TTE), FCC ID, PTCRB	
	Operating Temperature	-20° C ~ 60° C	-30° C ~ 70° C
	Storage Temperature	-30° C ~ 80° C	



## Ordering Information

Part Number	Description
TREK-722R-A1E	TREK-722 barebone (GPRS/HSPA+ dedicated)
TREK-722R-CBCEB1E	TREK-722 A1 w/ 800MHz, 256MB, CE6, CDMA+GPS (int. ant), BT
TREK-722R-GBCEA1E	TREK-722 A1 w/ 800MHz, 256MB, CE6, GPRS+GPS (int. ant), BT
TREK-722R-HBCEA1E	TREK-722 A1 w/ 800MHz, 256MB, CE6, HSPA+GPS (int. ant), BT
TREK-722R-HBCEC1E	TREK-722 A1 w/ 800MHz, 256MB, CE6, HSPA+GPS (ext. ant), BT
TREK-723R-A1E	TREK-723 barebone (GPRS/HSPA+ dedicated)
TREK-723R-CBCEB1E	TREK-723 A1 w/ 800MHz, 256MB, CE6, CDMA+GPS (int. ant), BT
TREK-723R-GBCEA1E	TREK-723 A1 w/ 800MHz, 256MB, CE6, GPRS+GPS (int. ant), BT
TREK-723R-HBCEA1E	TREK-723 A1 w/ 800MHz, 256MB, CE6, HSPA+GPS (int. ant), BT
TREK-723R-HWCEC1E	TREK-723 A1 w/ 800MHz, 256MB, CE6, HSPA+GPS (ext. ant), WLAN

## Optional Items

Part Number	Description
1700020042	A Cable MDR 40P/USB-A(M)+Audio Jack*2+DC Jack+BN
9666074302E	19V adapter for TREK-743 test purposes
RAM-MOUNT-02	VESA RAM mount w/2.5" DIA. base, 1.5" ball
RAM-MOUNT-07E	75mm VESA base, RAM-202U, and socket ARM
RAM-MOUNT-09E	clamp base, RAM-202U, and socket ARM