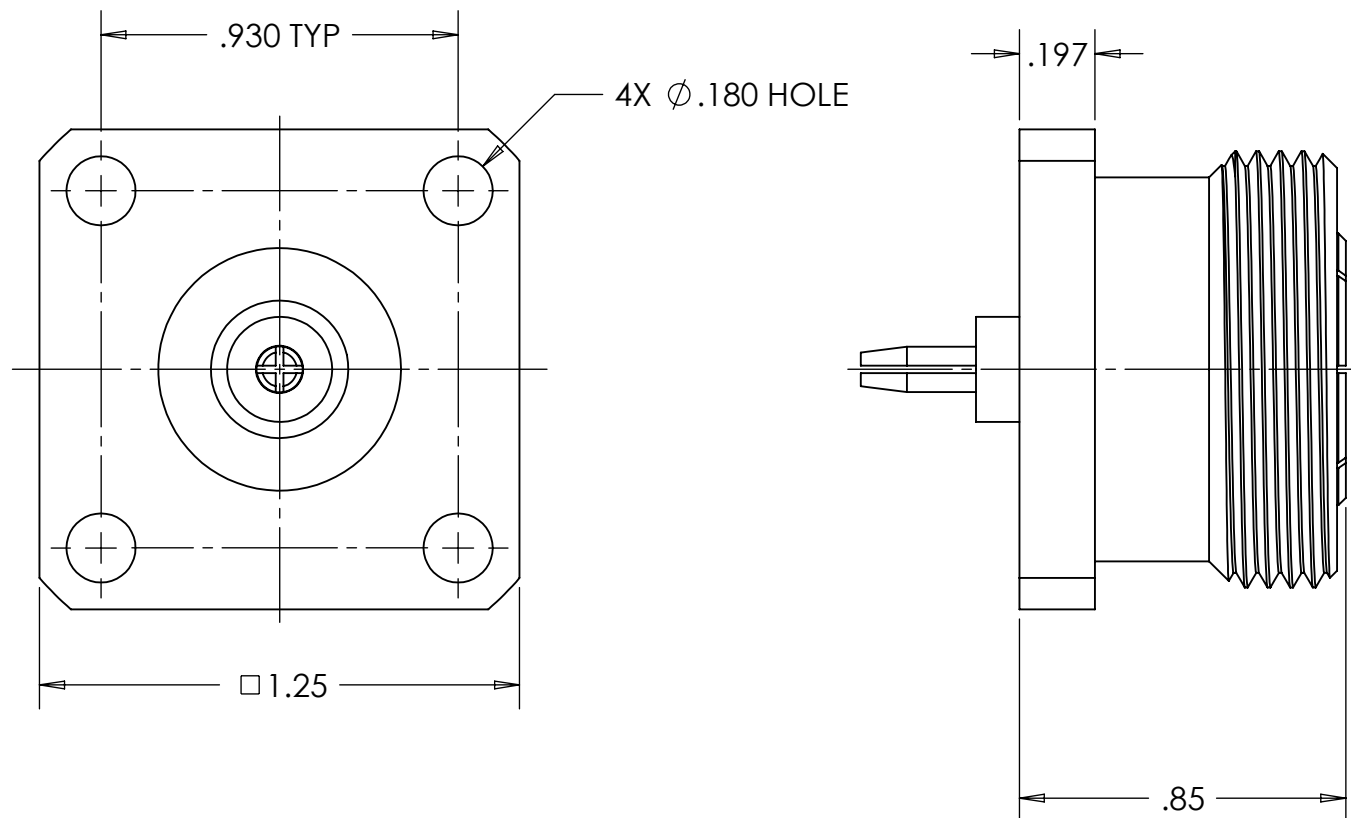
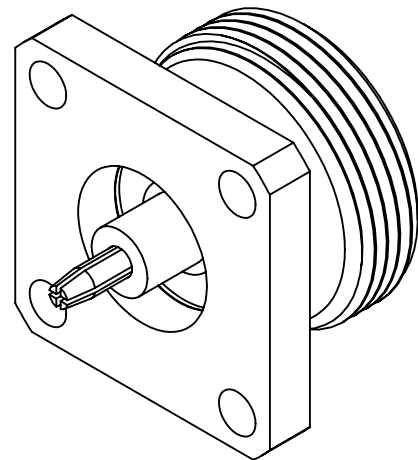


This document, including the design, configuration and mechanical features revealed herein are the sole, confidential and proprietary property of TRU Corporation. Reproduction or use thereof, in whole or part, is prohibited without the prior written consent of TRU Corporation.

| REV. | DESCRIPTION | DATE | APPROVED |
|------|----------------------|----------|----------|
| - | ORIGINAL ISSUE | 6/19/07 | WWW |
| A | CHANGED PER ECO-4326 | 03/29/13 | AM |



ENGINEERING DATA:


ELECTRICAL:
IMPEDANCE: 50 OHMS NOMINAL

MECHANICAL:
INTERFACE: 7-16(f) PER IEC 169-4, DIN 47223
QC(m) PER TRU SPEC

MATERIAL:
INSULATOR: PTFE (TEFLON) PER ASTM-D1710, I1A
CONTACT FINGERS: PHOSPHOR BRONZE PER QQ-B-750, COMP B
CONTACTS: BERYLLIUM COPPER C17300, TD04 (H) per ASTM-B196
BODY: BRASS C36000, H02 PER ASTM-B16

FINISH:
CONTACTS: SILVER PLATED
CONTACT FINGERS: SILVER PLATED
BODY: NICKEL PLATED

NOTES:
1. UNLESS OTHERWISE SPECIFIED; ALL DIMENSIONS ARE REFERENCE ONLY.
2. PRODUCT COMPLIES WITH ROHS DIRECTIVE 2002/95/EC.

| | | | | |
|-----------------------|---|-------------------------|-----------------|--|
| MATERIAL | DO NOT SCALE DRAWING | DRAWN Warren Whitten | DATE 6/1/07 |  TRU Corporation 245 Lynnfield St, Peabody, MA 01960 <small>EXPERIENCE. TRU INNOVATION.</small> |
| | UNLESS OTHERWISE SPECIFIED: DIMENSIONS ARE IN INCHES | ENG APPR. AM | DATE 6/18/07 | |
| COMMENTS: | TOLERANCES: FRACTIONS: ±1/64 .XX : ±.01 .XXX: ±.005 ANGLES: ±1/2° MACHINED SURFACES: 63/√ | MFG APPR. | DATE | TITLE: CONNECTOR, COAXIAL, RF 7-16(f) to QC(m) ADAPTER |
| | | OTHER APPR. | DATE | |
| surface area: sq inch | weight: lbs | THIRD ANGLE PROJECTION | | SIZE B DWG. NO. TRU-15018 REV A |
| | | | | CAGE CODE: 92180 SCALE: 2:1 SHEET 1 OF 1 |