



Feature :

- Encoder Operation Mode: 12~18 position output
- VR Operation Mode: 12~14 position output
- One key output other than the scroller output
- Bi-color LED illuminated available
- Count Down Function

Application :

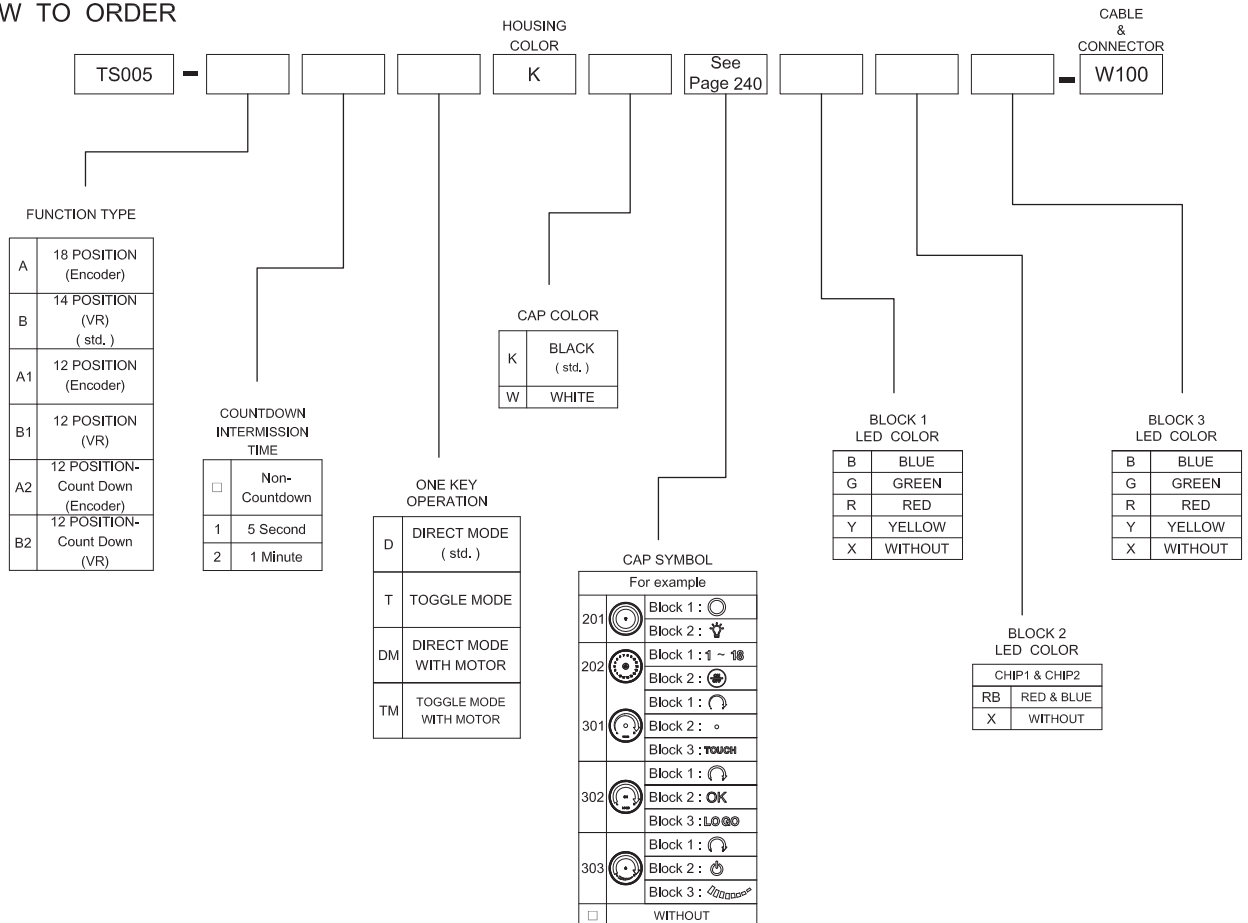
- Audio / video equipments
- Consumer products
- Computer products
- Communication equipments
- Home appliances

SWITCH SPECIFICATIONS							
POLE - POSITION		Two-Channel					
CIRCUIT FEATURE		Capacitive PWM signal					
OPERATING TEMPERATURE RANGE		-20°C ~ 70°C					
ELECTRICAL CHARACTERISTICS							
Symbol	Parameter	Test Conditions		MIN.	TYP.	MAX.	Units
		V _{DD}	Conditions				
V _{CC}	Input Voltage	-	-	0	-	28	V
V _{DD}	Operating Voltage	-	-	2.8	5.0	5.5	V
I _{DD}	Operating Voltage - No Load	3.3V	3.3V	-	2	3	mA
V _{OH}	Output High Voltage	3.3V	I _{OH} = - 4.0mA	2.1	-	-	V
V _{OL}	Output Low Voltage	3.3V	I _{OH} = 8.0mA	-	-	0.9	V
V _{IL}	Input ports	3.3V	-	-	200	-	Hz

LED SPECIFICATIONS								
ATTENTION LEDs are Electrostatic Sensitive devices 	Unit	Value / LED Color						
		Blue	Pure Green	Red	Yellow	Orange	Green	White
LUMINOUS INTENSITY@20mA I _v	mcd	150	1000	800	350	700	330	300~1500
Dominant Wavelength λ _D	nm	470	525	630	590	601	570	/
FORWARD VOLTAGE@20mA V _f	V	3.7	3.5	2	2.1	2.1	2.1	3.5

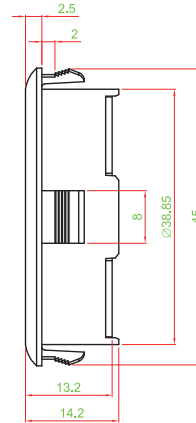
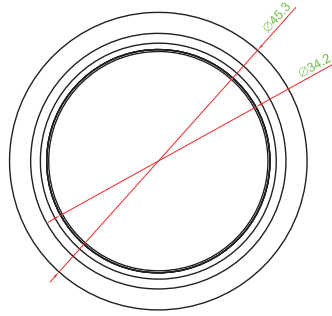
■ A single bin cannot be ordered, please contact us in advance if you need a particular bin sorting before placing your order to clarify the lead time, MOQ and pricing

HOW TO ORDER





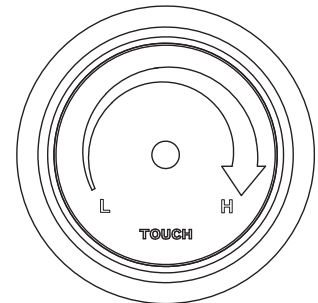
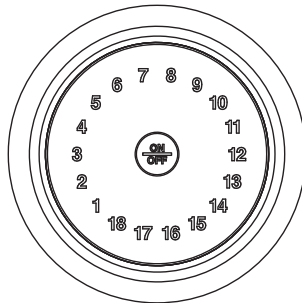
► DIMENSION



► CAP SYMBOL (STANDARD)

TS005 - ATTK202GRB-W100

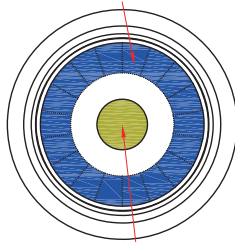
TS005 - BKK301BGRO-W100



► FUNCTION TYPE

A Type

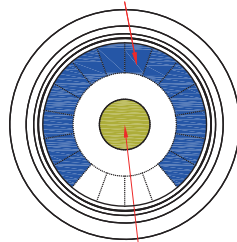
Control OUT1 Sensing Area



Control OUT2 Sensing Area

B Type

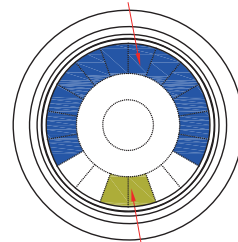
Control OUT1 Sensing Area



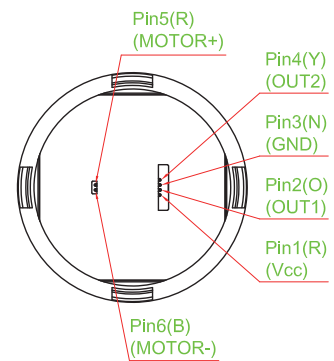
Control OUT2 Sensing Area

A1/B1/A2/B2 Type

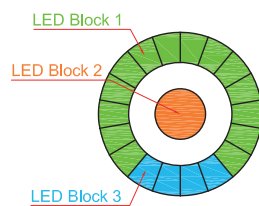
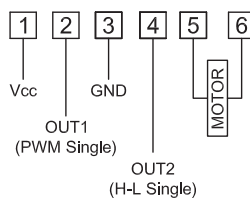
Control OUT1 Sensing Area



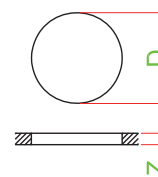
Control OUT2 Sensing Area



► CIRCUIT



► PANEL CUT OUT



Z	D
1.0 ~ 2.0	43.5~43.7
2.0 ~ 2.5	43.7~44.1
2.5 ~ 3.0	44.1~44.4

- TACT SWITCH
- PUSH BUTTON SWITCH
- LED TOUCH SENSOR SWITCH
- 5 DIRECTION NAVIGATION SWITCH WITH LED
- MEMBRANE SWITCH
- LED LIGHT BAR
- SLIDE SWITCH
- ROTARY SWITCH
- ROCKER SWITCH
- DETECT SWITCH
- ENCODER
- INTERRUPTER
- MINIATURE MICRO SWITCH
- TELEPHONE HOOK SWITCH
- DOOR SWITCH
- MINI SIZE SOCKET
- KNOB
- CAP SYMBOL