



Feature :

- Encoder Operation Mode: 12~18 position output
- VR Operation Mode: 12~14 position output
- One key output other than the scroller output
- Bi-color LED illuminated available
- Count Down Function

Application :

- Audio / video equipments
- Consumer products
- Computer products
- Communication equipments
- Home appliances

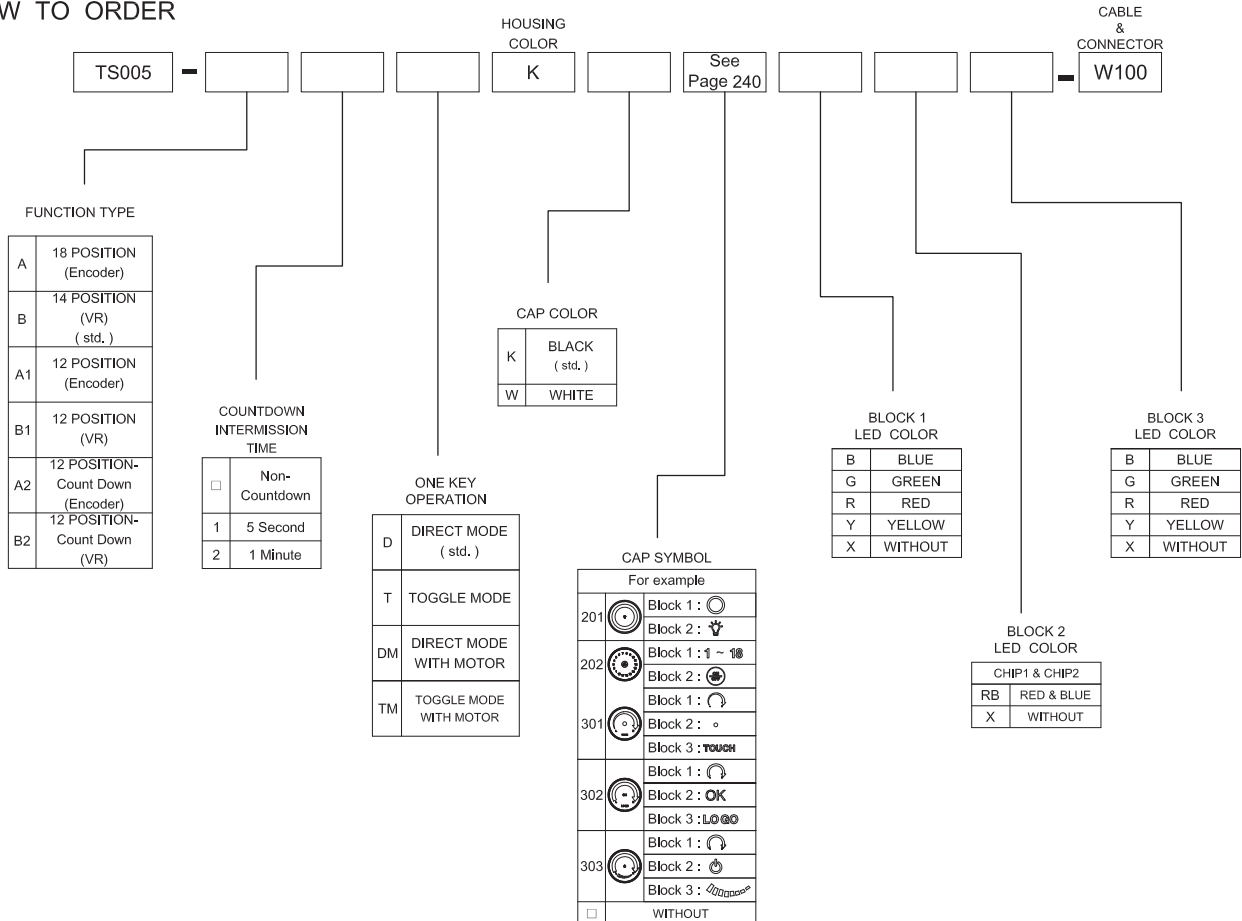


SWITCH SPECIFICATIONS							
POLE - POSITION		Two-Channel					
CIRCUIT FEATURE		Capacitive PWM signal					
OPERATING TEMPERATURE RANGE		-20°C ~ 70°C					
ELECTRICAL CHARACTERISTICS							
Symbol	Parameter	Test Conditions		MIN.	TYP.	MAX.	Units
		V _{DD}	Conditions				
V _{CC}	Input Voltage	-	-	0	-	28	V
V _{DD}	Operating Voltage	-	-	2.8	5.0	5.5	V
I _{DD}	Operating Voltage - No Load	3.3V	3.3V	-	2	3	mA
V _{OH}	Output High Voltage	3.3V	I _{OH} = - 4.0mA	2.1	-	-	V
V _{OL}	Output Low Voltage	3.3V	I _{OH} = 8.0mA	-	-	0.9	V
V _{IL}	Input ports	3.3V	-	-	200	-	Hz

LED SPECIFICATIONS								
ATTENTION LEDs are Electrostatic Sensitive devices 	Unit	Value / LED Color						
		Blue	Pure Green	Red	Yellow	Orange	Green	White
LUMINOUS INTENSITY@20mA I _v	mcd	150	1000	800	350	700	330	300~1500
Dominant Wavelength λ _D	nm	470	525	630	590	601	570	/
FORWARD VOLTAGE@20mA V _f	V	3.7	3.5	2	2.1	2.1	2.1	3.5

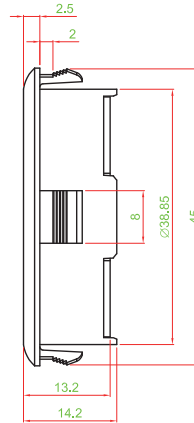
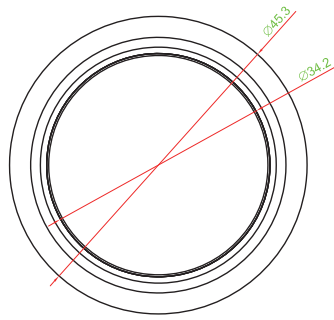
■ A single bin cannot be ordered, please contact us in advance if you need a particular bin sorting before placing your order to clarify the lead time, MOQ and pricing

HOW TO ORDER





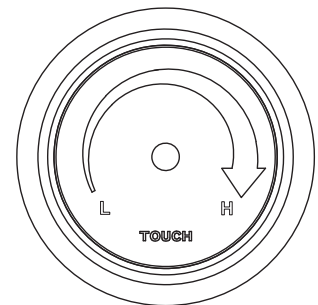
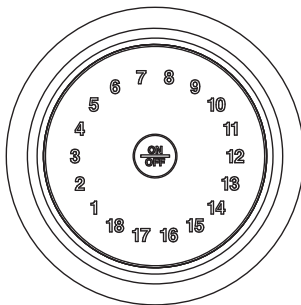
► DIMENSION



► CAP SYMBOL (STANDARD)

TS005 - ATTK202GRB-W100

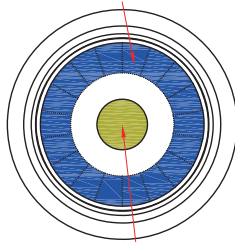
TS005 - BKK301BGRO-W100



► FUNCTION TYPE

A Type

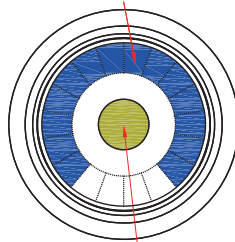
Control OUT1 Sensing Area



Control OUT2 Sensing Area

B Type

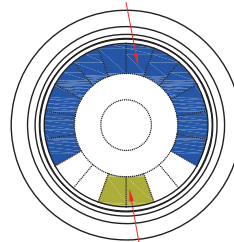
Control OUT1 Sensing Area



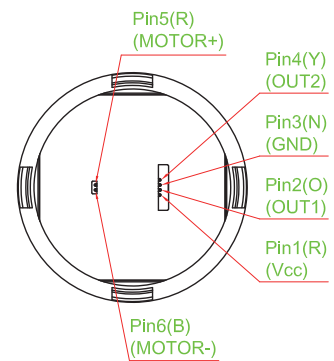
Control OUT2 Sensing Area

A1/B1/A2/B2 Type

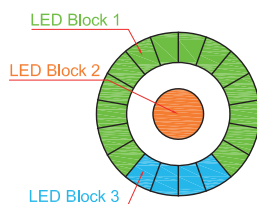
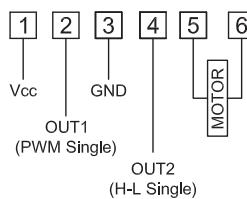
Control OUT1 Sensing Area



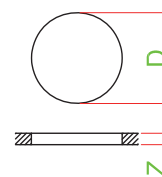
Control OUT2 Sensing Area



► CIRCUIT



► PANEL CUT OUT



Z	D
1.0 ~ 2.0	43.5~43.7
2.0 ~ 2.5	43.7~44.1
2.5 ~ 3.0	44.1~44.4

TACT SWITCH

PUSH BUTTON SWITCH

LED TOUCH SENSOR SWITCH

5 DIRECTION NAVIGATION SWITCH WITH LED

MEMBRANE SWITCH

LED LIGHT BAR

SLIDE SWITCH

ROTARY SWITCH

ROCKER SWITCH

DETECT SWITCH

ENCODER

INTERRUPTER

MINIATURE MICRO SWITCH

TELEPHONE HOOK SWITCH

DOOR SWITCH

MINI SIZE SOCKET

KNOB

CAP SYMBOL