

TRIUNE PRODUCTS**Features**

- Wide input supply operating range
 - ♦ TS31023 : 5V-16V
 - ♦ TS31223 : 5V-36V
- Adjustable output voltage from 1.25V to $V_{IN} - V_{dropout}$
- 60mA output current capability
- Enable control function

Applications

- Set-top Boxes
- Automotive
- Industrial
- Medical
- Energy harvesting systems
- Wireless Power

Description

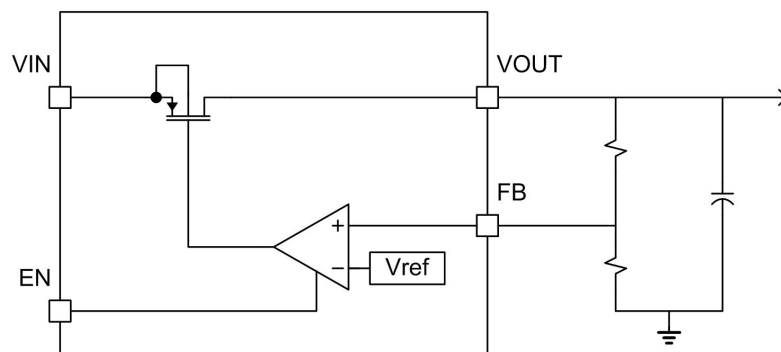
The TS31x23 high voltage linear regulator consists of a low power amplifier with a high voltage p-channel pass gate.

The linear regulator has a wide operating range, and is ideal for systems that may have large voltage transients and require the output load to remain regulated.

An analog current limit is used to limit output current and protect the regulator from external short circuits.

Summary Specification

- Packaged in a 8pin DFN (2x2)

Typical Application Circuit

Pin-out Configuration

Pin #	Pin Symbol	I/O/P	Description
1	GND	P	Ground
2	VOUT	O	Regulated Output Voltage
3	N/C		No Connect
4	N/C		No Connect
5	N/C		No Connect
6	FB	I	Feedback Voltage
7	VIN	P	Input Voltage
8	EN	I	ENABLE Input

Absolute Maximum Ratings

Over operating free-air temperature range unless otherwise noted(1,2)

		Unit
VIN	-0.3 to 18 (TS31023) -0.3 to 40 (TS31223)	V
VOUT	-0.3 to 18 (TS31023) -0.3 to 40 (TS31223)	V
EN, FB	-0.3 to 6.0	V
Electrostatic Discharge – Human Body Model	2	kV
Maximum junction temperature, TJ	150	°C
Storage temperature range, Tstg	-65 to 150	°C
Lead Temperature (soldering, 10 seconds)	260	°C

Note 1: Stresses beyond those listed under “absolute maximum ratings” may cause permanent damage to the device. These are stress ratings only, and functional operation of the device at these or any other conditions beyond those indicated under “recommended operating conditions” is not implied. Exposure to absolute-maximum-rated conditions for extended periods may affect device reliability.

Note 2: All voltage values are with respect to network ground terminal.

Thermal Characteristics

Package DFN	θ_{JA} (°C/W) (See Note 4)	θ_{JC} (°C/W) (See Note 5)
8 pin	73.1	10.7

Note 4: This assumes a FR4 board only.

Note 5: This assumes a 1oz. Copper JEDEC standard board with thermal vias. See Exposed Pad section and application note for more information.

Recommended Operating Conditions

Parameter	Min	Max	Units
Unregulated Supply Input Voltage (VIN)	5	16 (TS31023) 36 (TS31223)	V
Enable Input (EN)	0	5	V
Regulated Supply Output Voltage (VOUT)	1.25	$V_{IN} - V_{dropout}$	V
Operating Junction Temperature, T _j	-40	125	°C

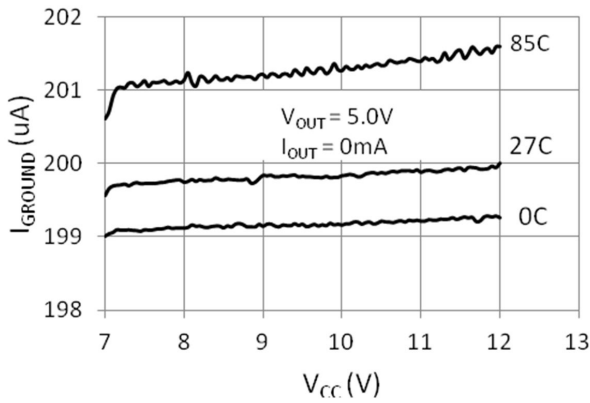
Electrical Characteristics (T=25°C unless otherwise specified)

Electrical characteristics, VIN = 12V, T_j = 25C, unless otherwise noted

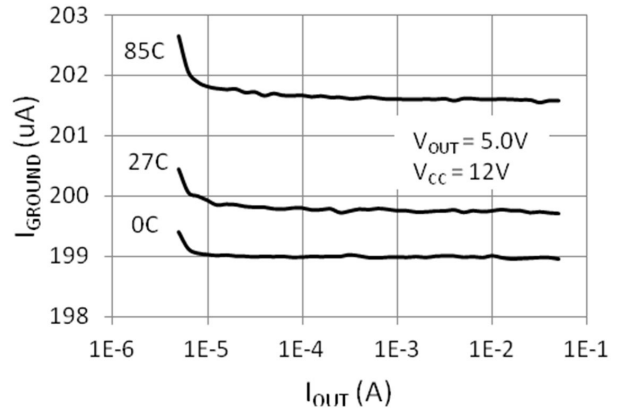
Parameter	Symbol	Conditions	Min.	Typ.	Max.	Units
Input Supply Voltage	VIN	TS31023	5		16	V
		TS31223	5		36	V
Output Voltage	VOUT		1.25		$V_{IN} - V_{dropout}$	V
Feedback Voltage	FB	$V_{IN} = 12V$	1.10	1.20	1.30	V
Output Bypass Capacitor	C _{OUT}		1	2.2	4.7	uF
Disabled Current	I _{off(VIN)}	EN=0V, V _{IN} =12V		1		uA
Quiescent Current	I _{qq(VIN)}	EN=5V, I _{OUT} = 0		220		uA
Load Capability	I _{OUT}				60	mA
DC Line Regulation (TS31023)	V _{Line}	$V_{IN} = 5.5V \text{ to } 16V, V_{OUT}=5.0V,$ $I_{OUT} = 5mA$		0.1	0.6	%
DC Line Regulation (TS31223)		$V_{IN} = 5.5V \text{ to } 36V, V_{OUT}=5.0V,$ $I_{OUT} = 5mA$		0.1	0.6	%
DC Load Regulation (TS31023)	V _{Load}	$V_{IN} = 12V, V_{OUT}=5.0V,$ $I_{OUT} = 1mA \text{ to } 60mA$		0.02	0.35	%
		$V_{IN} = 6V, V_{OUT}=5.0V,$ $I_{OUT} = 1mA \text{ to } 60mA$		0.02	0.15	%
Current Limit	I _{Limit}	$V_{IN} = 12V$		100		mA

Typical Performance Characteristics

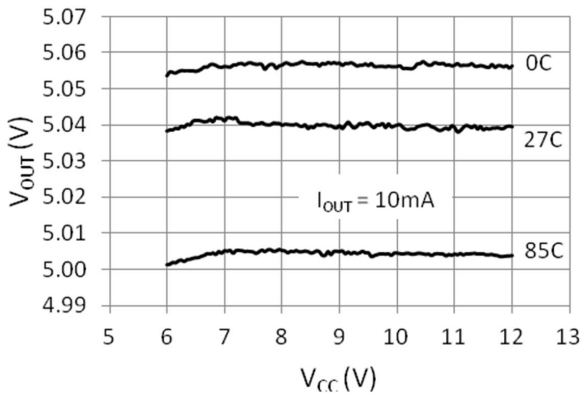
I_{qq} Performance vs. Supply Voltage



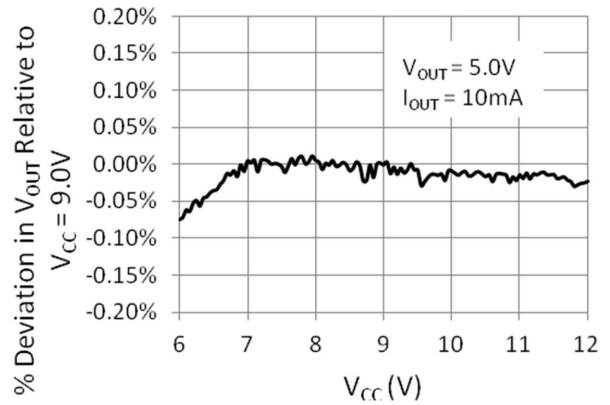
I_{qq} Performance vs. Load Current



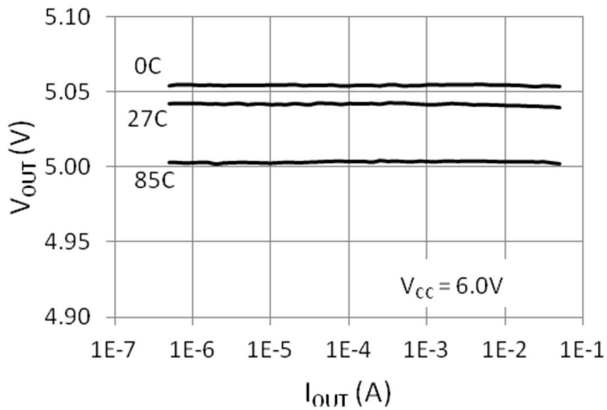
V_{OUT} Performance vs. V_{CC}



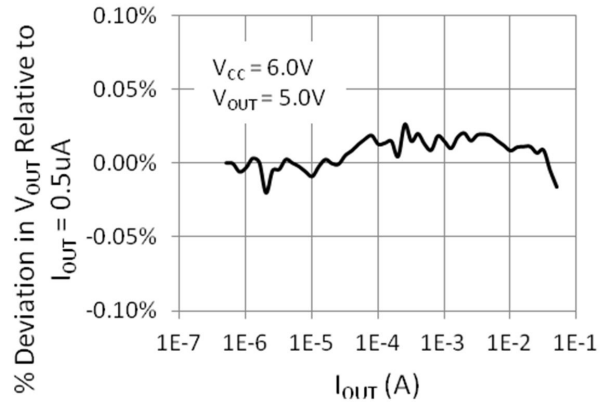
Line Regulation Performance



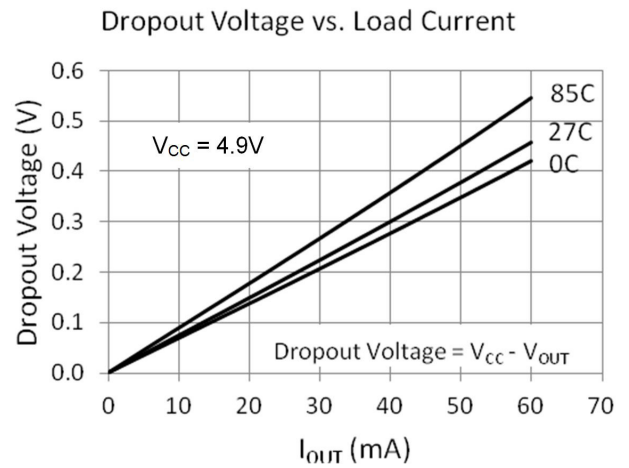
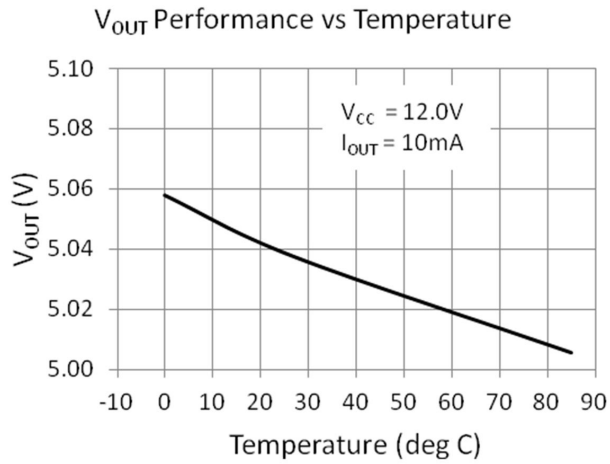
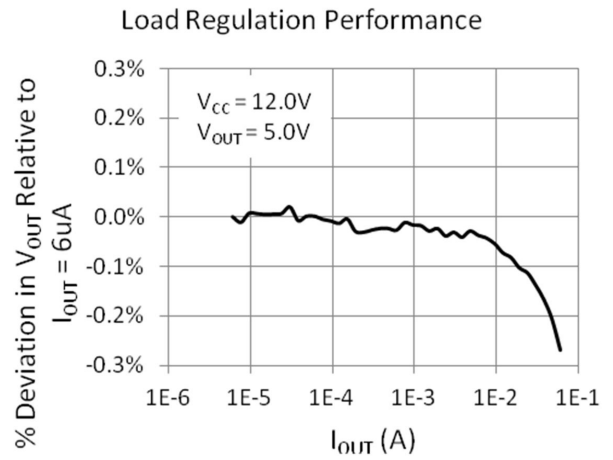
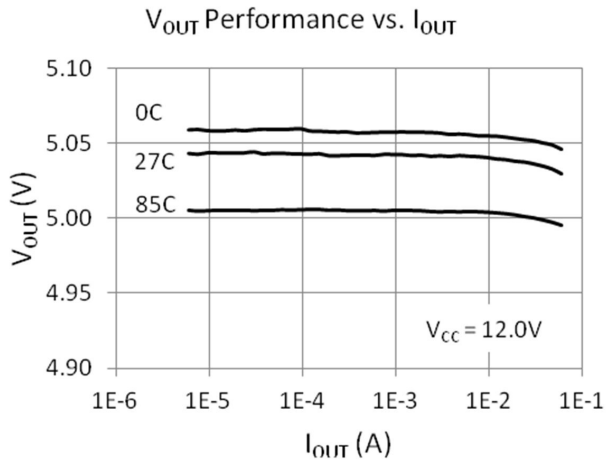
V_{OUT} Performance vs. I_{OUT}



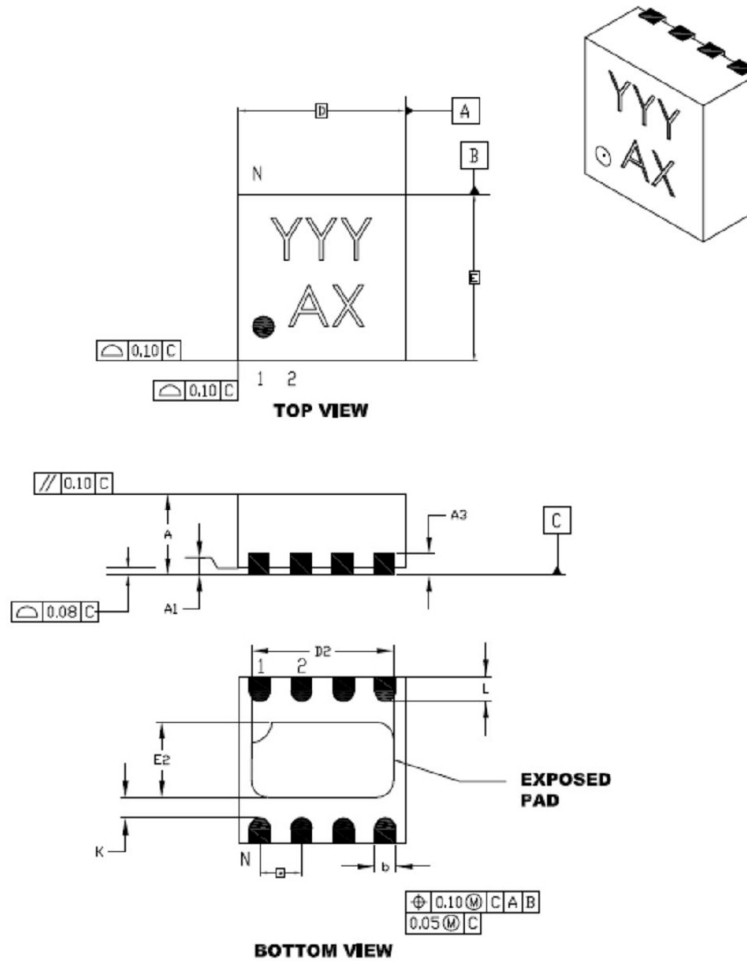
Load Regulation Performance



Typical Performance Characteristics continued

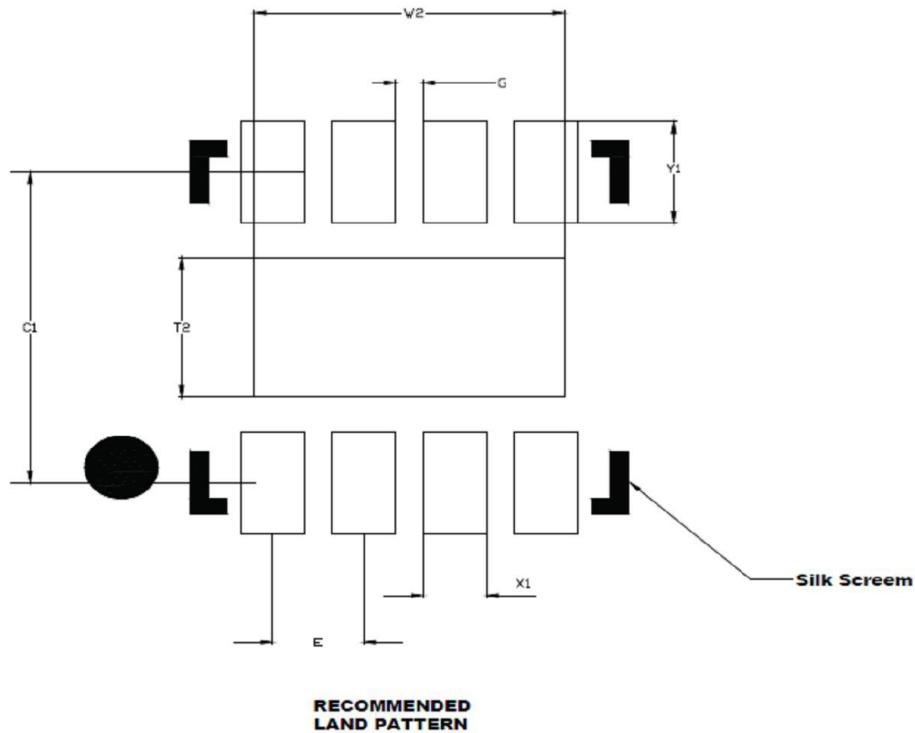


Package Mechanical Drawings (all dimensions in mm)



Units		Millimeters		
Dimensions Limits		MIN	NOM	MAX
Number of Pins	N	8		
Pitch	e	0.50 BSC		
Overall Height	A	0.80	0.90	1.00
Standoff	A1	0.00	0.02	0.05
Contact Thickness	A3	0.20 REF		
Overall Length	D	2.00 BSC		
Exposed Pad Width	E2	0.75	0.90	1.00
Overall Width	E	2.00 BSC		
Exposed Pad Length	D2	1.55	1.70	1.80
Contact Width	b	0.18	0.25	0.30
Contact Length	L	0.20	0.30	0.40
Contact-to-Exposed Pad	K	0.20	-	-

Recommended PCB Land Pattern



		Units	Millimeters		
		Dimensions Limits	MIN	NOM	MAX
Contact Pitch	E	0.50 BSC			
Optional Center Pad Width	W2	-	-	1.70	
Optional Center Pad Length	T2	-	-	0.90	
Contact Pad Spacing	C1	-	2.00	-	
Contact Pad Width (X8)	X1	-	-	0.35	
Contact Pad Length (X8)	Y1	-	-	0.65	
Distance Between Pads	G	0.15	-	-	

Ordering Information

Part Number:

TS31023-QFNR

TS31223-QFNR