

### Features

- ◆ Module for true current sharing operation
- ◆ Alarm outputs, redundancy OK signal
- ◆ Hot swappable inputs
- ◆ Remote On/Off
- ◆ International safety approval package
- ◆ 3-year product warranty



With this module and two power supplies of the TSP series (of same type) a highly reliable, redundant power system can be configured without any additional components. This module enforces the equivalent sharing of the output current of the power supplies. In the event of a failed or disconnected power supply, the second unit will automatically supply the full current to the load. The redundancy of the system is monitored and, indicated by an alarm output. The inputs are hot swappable.

### Models

Order Code	Input	Max Power per Input	Output Voltage adjust.	Output Current max. **	Output Power max.
TSP-REM360*	2 x 24 VDC	2 x 360 W	24 VDC	15.0 A	360 W
TSP-REM600*	2 x Control input	2 x 600 W	(24–27 VDC)	25.0 A	600 W

\* For ATEX / IECEx compliant model add appendix -EX to order code.


\*\* Maximum current at nominal  $V_{out}$

Redundancy Module	Possible TSP input source
TSP-REM360	TSP 90-124 TSP 90-124N TSP 180-124 TSP 360-124
TSP-REM600	TSP 600-124

### Output Specifications

Output Voltage adjustable range with potentiometer	24 – 27 VDC
Ripple and noise (20 MHz bandwidth)	230 mVp-p typ.
Capacitive load	unlimited

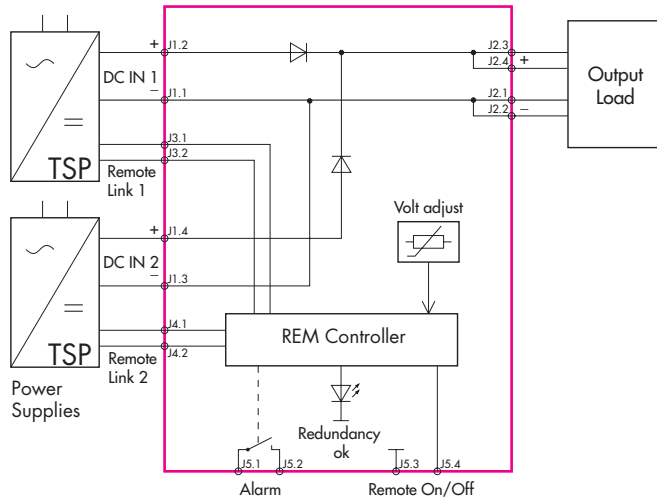
### General Specifications

Operating temperature	–25°C to +70°C max. derating above +40°C : 1.5 %/K
Storage temperature	–25°C to +85°C max.
Temperature coefficient	0.02 %/K
Humidity (non condensing)	5 % to 90 % rel. H max.
Reliability, calculated MTBF at +25°C acc. to IEC 61709	– TSP-REM360 >2 Mio h – TSP-REM600 >1.9 Mio h
Remote On/Off	by ext. contact: contact open = On contact closed = Off
Alarm relay contact	30 VDC / 1.0 A
Redundancy OK signal (Alarm)	trigger threshold at 18...22VDC, contact open one or both
Remote link cable (0.5 m)	2 cables included (order code TSPJC) <a href="http://www.tracopower.com/products/tsp-jc.pdf">www.tracopower.com/products/tsp-jc.pdf</a>
Degree of protection	IP 20 (IEC/EN 60529)
Isolation	according to IEC/EN 60950-1, UL 60950-1, UL 508
Altitude during operation	tba.
Safety standard	IEC/EN 60950-1, UL 60950-, EN60079, UL60079, UL508 IEC/EN 61010-1, IEC/EN 61010-2-201
Safety approvals	UL 508  I13G Ex nA nC IIC T4 Gc UL60079-15-2 class 1, division 2 IEC 60950-1 (SIQ for EN) IEC/EN 61010-1, IEC/EN 61010-2-201 <a href="http://www.tracopower.com/overview/tsp">www.tracopower.com/overview/tsp</a>
	– CSA – CB test certificate  – Certification documents
Electromagnetic compatibility	in correspondence to connected units (no internal switching device)
Environment	– Vibration acc. IEC 60068-2-6; – Shock acc. IEC 60068-2-27 3 axis, sine sweep, 10 – 55 Hz, 1 g, 1 oct/min 3 axis, 15 g half sine, 11 ms
Enclosure material	aluminium (chassis) / stainless steel (cover)
Mounting	– DIN-rail mounting for DIN-rails as per EN 50022-35x15/7.5 (snap-on with self-locking spring) with wall mounting bracket - see page 4 – Wall mounting (option)
Connection	detachable screw terminals (plugs included) 2 terminals per output
Installation instructions	<a href="http://www.tracopower.com/overview/tsp">www.tracopower.com/overview/tsp</a>

All specifications valid at nominal input voltage, full load and +25°C after warm-up time unless otherwise stated.

**Function**

Function Diagram:



**Outline Dimensions**

TSP-REM360

TSP-REM600

