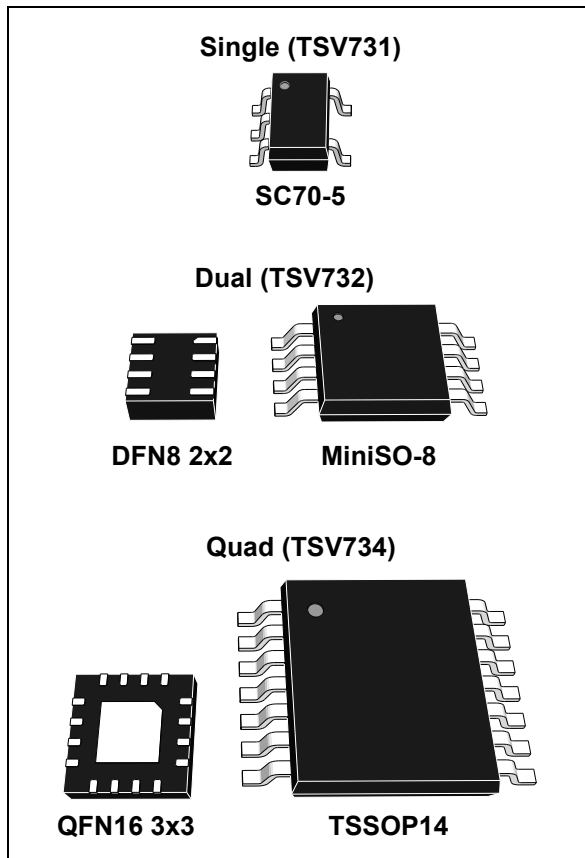


High accuracy (200 μ V) micropower 60 μ A, 900 kHz
5 V CMOS operational amplifiers

Datasheet - preliminary data



Features

- Low offset voltage: 200 μ V max.
- Low power consumption: 60 μ A at 5 V
- Low supply voltage: 1.5 V to 5.5 V
- Gain bandwidth product: 900 kHz typ.
- Low input bias current: 1 pA typ.
- Rail-to-rail input and output
- EMI hardened operational amplifiers
- High tolerance to ESD: 4 kV HBM
- Extended temperature range: -40 to +125 °C

Benefits

- Higher accuracy without calibration
- Energy saving
- Guaranteed operation on low-voltage battery

Related products

- See the TSV71 series (150 kHz for 14 μ A) for more power savings

Applications

- Battery powered applications
- Portable devices
- Signal conditioning
- Active filtering
- Medical instrumentation

Description

The TSV73x series of single, dual, and quad operational amplifiers offer low-voltage operation, rail-to-rail input and output, and excellent accuracy (V_{io} lower than 200 μ V at 25 °C).

These devices benefit from STMicroelectronics® 5 V CMOS technology and offer an excellent speed/power consumption ratio (900 kHz typical gain bandwidth) while consuming 60 μ A typical at 5 V. The TSV73x series also feature an ultra-low input bias current.

The single version (TSV731), the dual version (TSV732), and the quad version (TSV734) are housed in the smallest industrial packages.

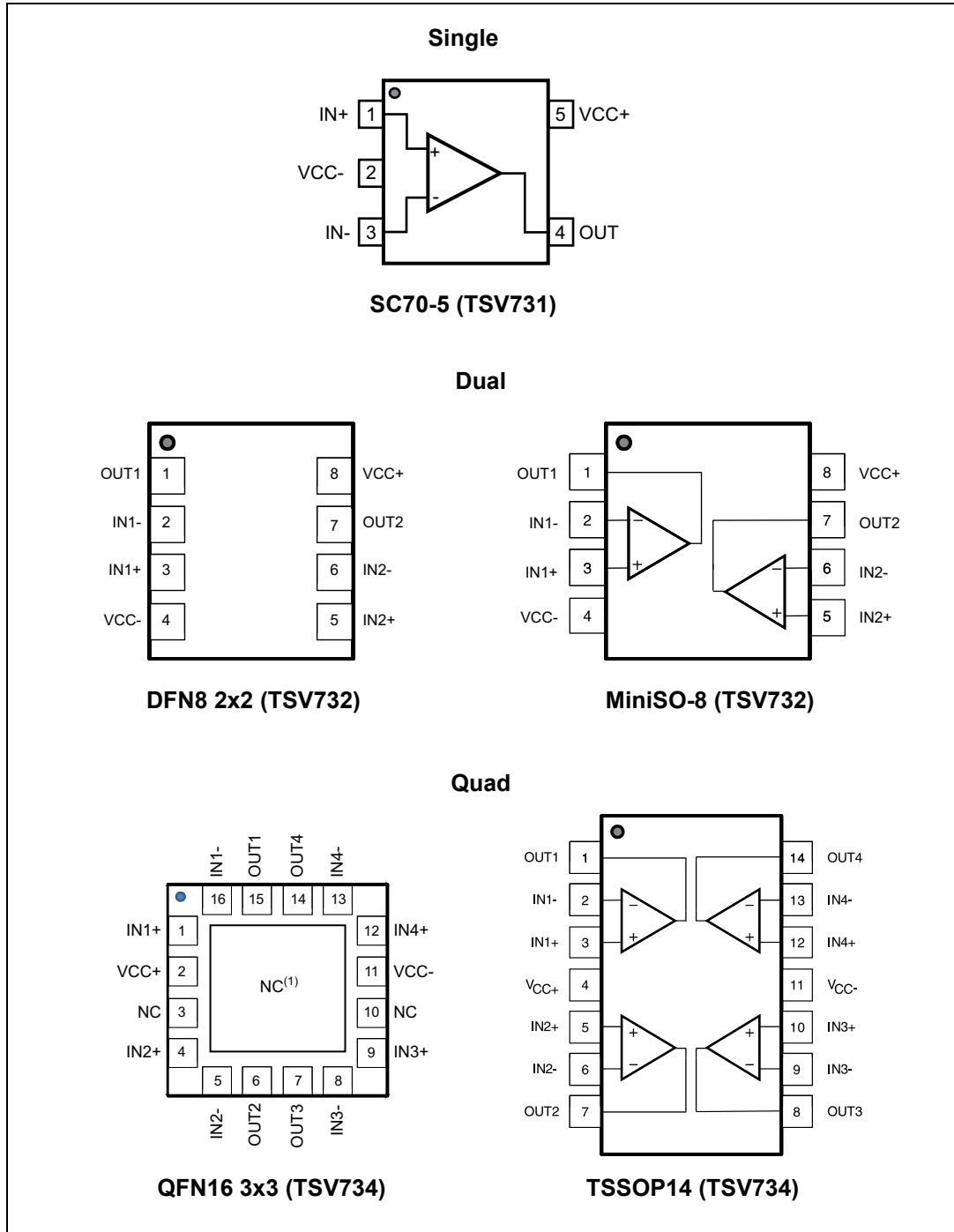
These characteristics make the TSV73x family ideal for sensor interfaces, battery-powered and portable applications, and active filtering.

Contents

| | | |
|----------|--|-----------|
| 1 | Pin connections | 3 |
| 2 | Absolute maximum ratings and operating conditions | 4 |
| 3 | Electrical characteristics | 6 |
| 4 | Application information | 16 |
| | 4.1 Operating voltages | 16 |
| | 4.2 Rail-to-rail input | 16 |
| | 4.3 Rail-to-rail output | 16 |
| | 4.4 Input offset voltage drift over temperature | 16 |
| | 4.5 Long-term input offset voltage drift | 17 |
| | 4.6 Initialization time | 19 |
| | 4.7 PCB layouts | 19 |
| | 4.8 Macromodel | 20 |
| 5 | Package information | 21 |
| | 5.1 SC70-5 package information | 22 |
| | 5.2 DFN8 2x2 package information | 23 |
| | 5.3 MiniSO-8 package information | 24 |
| | 5.4 QFN16 3x3 package information | 25 |
| | 5.5 TSSOP14 package information | 27 |
| 6 | Ordering information | 28 |
| 7 | Revision history | 28 |

1 Pin connections

Figure 1. Pin connections (top view)



1. The exposed pads of the QFN16 3x3 can be connected to VCC- or left floating.

2 Absolute maximum ratings and operating conditions

Table 1. Absolute maximum ratings (AMR)

| Symbol | Parameter | Value | Unit |
|------------|--|------------------------------------|------|
| V_{CC} | Supply voltage ⁽¹⁾ | 6 | V |
| V_{id} | Differential input voltage ⁽²⁾ | $\pm V_{CC}$ | |
| V_{in} | Input voltage ⁽³⁾ | $V_{CC-} - 0.2$ to $V_{CC+} + 0.2$ | |
| I_{in} | Input current ⁽⁴⁾ | 10 | mA |
| T_{stg} | Storage temperature | -65 to +150 | °C |
| R_{thja} | Thermal resistance junction-to-ambient ⁽⁵⁾⁽⁶⁾ | | °C/W |
| | SC70-5 | 205 | |
| | DFN8 2x2 | 120 | |
| | MiniSO8 | 190 | |
| | QFN16 3x3 | 45 | |
| | TSSOP14 | 100 | |
| R_{thjc} | Thermal resistance junction-to-case DFN8 2x2 | 33 | |
| T_j | Maximum junction temperature | 150 | °C |
| ESD | HBM: human body model ⁽⁷⁾ | 4 | kV |
| | MM: machine model for TSV731 ⁽⁸⁾ | 150 | V |
| | MM: machine model for TSV732 ⁽⁸⁾ | 200 | |
| | MM: machine model for TSV734 ⁽⁸⁾ | 300 | |
| | CDM: charged device model except MiniSO8 ⁽⁹⁾ | 1.5 | kV |
| | CDM: charged device model for MiniSO8 ⁽⁹⁾ | 1.3 | |
| | Latchup immunity | 200 | mA |

1. All voltage values, except the differential voltage are with respect to the network ground terminal.
2. The differential voltage is a non-inverting input terminal with respect to the inverting input terminal. The TSV732 and TSV734 devices include an internal differential voltage limiter that clamps internal differential voltage at 0.5 V.
3. $V_{CC} - V_{in}$ must not exceed 6 V, V_{in} must not exceed 6 V.
4. Input current must be limited by a resistor in series with the inputs.
5. Short-circuits can cause excessive heating and destructive dissipation.
6. R_{th} are typical values.
7. Human body model: 100 pF discharged through a 1.5 kΩ resistor between two pins of the device, done for all couples of pin combinations with other pins floating.
8. Machine model: a 200 pF cap is charged to the specified voltage, then discharged directly between two pins of the device with no external series resistor (internal resistor < 5 Ω), done for all couples of pin combinations with other pins floating.
9. Charged device model: all pins plus package are charged together to the specified voltage and then discharged directly to ground.

Table 2. Operating conditions

| Symbol | Parameter | Value | Unit |
|------------|--------------------------------------|------------------------------------|------|
| V_{CC} | Supply voltage | 1.5 to 5.5 | V |
| V_{icm} | Common mode input voltage range | $V_{CC-} - 0.1$ to $V_{CC+} + 0.1$ | |
| T_{oper} | Operating free air temperature range | -40 to +125 | °C |

3 Electrical characteristics

Table 3. Electrical characteristics at $V_{CC+} = 1.8\text{ V}$ with $V_{CC-} = 0\text{ V}$, $V_{icm} = V_{CC}/2$, $T = 25\text{ °C}$, and $R_L = 10\text{ k}\Omega$ connected to $V_{CC}/2$ (unless otherwise specified)

| Symbol | Parameter | Conditions | Min. | Typ. | Max. | Unit |
|--------------------------|---|---|------|------|-------------|-------------------------|
| DC performance | | | | | | |
| V_{io} | Input offset voltage ($V_{icm} = 0\text{ V}$) | $T = 25\text{ °C}$ | | | 200 | μV |
| | | $-40\text{ °C} < T < 85\text{ °C}$ | | | 500 | |
| | | $-40\text{ °C} < T < 125\text{ °C}$ | | | 650 | |
| $\Delta V_{io}/\Delta T$ | Input offset voltage drift | $-40\text{ °C} < T < 125\text{ °C}^{(1)}$ | | | 4.5 | $\mu\text{V}/\text{°C}$ |
| I_{io} | Input offset current ($V_{out} = V_{CC}/2$) | $T = 25\text{ °C}$ | | 1 | $10^{(2)}$ | pA |
| | | $-40\text{ °C} < T < 125\text{ °C}$ | | 1 | $300^{(2)}$ | |
| I_{ib} | Input bias current ($V_{out} = V_{CC}/2$) | $T = 25\text{ °C}$ | | 1 | $10^{(2)}$ | pA |
| | | $-40\text{ °C} < T < 125\text{ °C}$ | | 1 | $300^{(2)}$ | |
| CMR | Common mode rejection ratio $20 \log (\Delta V_{icm}/\Delta V_{io})$ $V_{icm} = 0\text{ V to } V_{CC}$, $V_{out} = V_{CC}/2$, $R_L > 1\text{ M}\Omega$ | $T = 25\text{ °C}$ | 72 | 90 | | dB |
| | | $-40\text{ °C} < T < 125\text{ °C}$ | 66 | | | |
| A_{vd} | Large signal voltage gain $V_{out} = 0.5\text{ V to } (V_{CC} - 0.5\text{ V})$ | $T = 25\text{ °C}$ | 105 | | | dB |
| | | $-40\text{ °C} < T < 125\text{ °C}$ | 90 | | | |
| V_{OH} | High level output voltage ($V_{OH} = V_{CC} - V_{out}$) | $T = 25\text{ °C}$ | | | 75 | mV |
| | | $-40\text{ °C} < T < 125\text{ °C}$ | | | 80 | |
| V_{OL} | Low level output voltage | $T = 25\text{ °C}$ | | | 40 | mV |
| | | $-40\text{ °C} < T < 125\text{ °C}$ | | | 60 | |
| I_{out} | I_{sink} ($V_{out} = V_{CC}$) | $T = 25\text{ °C}$ | 6 | 12 | | mA |
| | | $-40\text{ °C} < T < 125\text{ °C}$ | 4 | | | |
| | I_{source} ($V_{out} = 0\text{ V}$) | $T = 25\text{ °C}$ | 5 | 7 | | |
| | | $-40\text{ °C} < T < 125\text{ °C}$ | 3 | | | |
| I_{CC} | Supply current (per channel, $V_{out} = V_{CC}/2$, $R_L > 1\text{ M}\Omega$) | $T = 25\text{ °C}$ | | 58 | 70 | μA |
| | | $-40\text{ °C} < T < 125\text{ °C}$ | | | 85 | |

Table 3. Electrical characteristics at $V_{CC+} = 1.8\text{ V}$ with $V_{CC-} = 0\text{ V}$, $V_{icm} = V_{CC}/2$, $T = 25\text{ °C}$, and $R_L = 10\text{ k}\Omega$ connected to $V_{CC}/2$ (unless otherwise specified) (continued)

| Symbol | Parameter | Conditions | Min. | Typ. | Max. | Unit |
|-----------------------|------------------------------------|--|------|------|------|--------------------------------------|
| AC performance | | | | | | |
| GBP | Gain bandwidth product | $R_L = 10\text{ k}\Omega$, $C_L = 100\text{ pF}$ | 700 | 850 | | kHz |
| F_u | Unity gain frequency | | | 650 | | |
| Φ_m | Phase margin | | | 45 | | Degrees |
| G_m | Gain margin | | | 12 | | dB |
| SR | Slew rate ⁽³⁾ | $R_L = 10\text{ k}\Omega$, $C_L = 100\text{ pF}$, $V_{out} = 0.5\text{ V}$ to $V_{CC} - 0.5\text{ V}$ | | 0.35 | | V/ μ s |
| e_n | Equivalent input noise voltage | $f = 1\text{ kHz}$ | | 35 | | $\frac{\text{nV}}{\sqrt{\text{Hz}}}$ |
| | | $f = 10\text{ kHz}$ | | 32 | | |
| t_{init} | Initialization time ⁽⁴⁾ | $T = 25\text{ °C}$ | | | 5 | ms |
| | | $-40\text{ °C} < T < 125\text{ °C}$ | | | 60 | |

1. See [Section 4.4: Input offset voltage drift over temperature](#).
2. Guaranteed by characterization.
3. Slew rate value is calculated as the average between positive and negative slew rates.
4. Initialization time is defined as the delay after power-up to guarantee operation within specified performances. Guaranteed by design. See [Section 4.6: Initialization time](#).

Table 4. Electrical characteristics at $V_{CC+} = 3.3\text{ V}$ with $V_{CC-} = 0\text{ V}$, $V_{icm} = V_{CC}/2$, $T = 25\text{ }^\circ\text{C}$, and $R_L = 10\text{ k}\Omega$ connected to $V_{CC}/2$ (unless otherwise specified)

| Symbol | Parameter | Conditions | Min. | Typ. | Max. | Unit |
|--------------------------|---|---|------|------|-------------|---|
| DC performance | | | | | | |
| V_{io} | Input offset voltage | $T = 25\text{ }^\circ\text{C}$ | | | 200 | μV |
| | | $-40\text{ }^\circ\text{C} < T < 85\text{ }^\circ\text{C}$ | | | 500 | |
| | | $-40\text{ }^\circ\text{C} < T < 125\text{ }^\circ\text{C}$ | | | 650 | |
| $\Delta V_{io}/\Delta T$ | Input offset voltage drift | $-40\text{ }^\circ\text{C} < T < 125\text{ }^\circ\text{C}^{(1)}$ | | | 4.5 | $\mu\text{V}/^\circ\text{C}$ |
| ΔV_{io} | Long-term input offset voltage drift | $T = 25\text{ }^\circ\text{C}^{(2)}$ | | 0.3 | | $\frac{\mu\text{V}}{\sqrt{\text{month}}}$ |
| I_{io} | Input offset current ($V_{out} = V_{CC}/2$) | $T = 25\text{ }^\circ\text{C}$ | | 1 | $10^{(3)}$ | pA |
| | | $-40\text{ }^\circ\text{C} < T < 125\text{ }^\circ\text{C}$ | | 1 | $300^{(3)}$ | |
| I_{ib} | Input bias current ($V_{out} = V_{CC}/2$) | $T = 25\text{ }^\circ\text{C}$ | | 1 | $10^{(3)}$ | pA |
| | | $-40\text{ }^\circ\text{C} < T < 125\text{ }^\circ\text{C}$ | | 1 | $300^{(3)}$ | |
| CMR | Common mode rejection ratio $20 \log (\Delta V_{icm}/\Delta V_{io})$ $V_{icm} = 0\text{ V to } V_{CC}$, $V_{out} = V_{CC}/2$, $R_L > 1\text{ M}\Omega$ | $T = 25\text{ }^\circ\text{C}$ | 83 | 100 | | dB |
| | | $-40\text{ }^\circ\text{C} < T < 125\text{ }^\circ\text{C}$ | 76 | | | |
| A_{vd} | Large signal voltage gain $V_{out} = 0.5\text{ V to } (V_{CC} - 0.5\text{ V})$ | $T = 25\text{ }^\circ\text{C}$ | 105 | | | |
| | | $-40\text{ }^\circ\text{C} < T < 125\text{ }^\circ\text{C}$ | 90 | | | |
| V_{OH} | High level output voltage ($V_{OH} = V_{CC} - V_{out}$) | $T = 25\text{ }^\circ\text{C}$ | | | 75 | mV |
| | | $-40\text{ }^\circ\text{C} < T < 125\text{ }^\circ\text{C}$ | | | 80 | |
| V_{OL} | Low level output voltage | $T = 25\text{ }^\circ\text{C}$ | | | 40 | mV |
| | | $-40\text{ }^\circ\text{C} < T < 125\text{ }^\circ\text{C}$ | | | 60 | |
| I_{out} | $I_{sink} (V_{out} = V_{CC})$ | $T = 25\text{ }^\circ\text{C}$ | 25 | 40 | | mA |
| | | $-40\text{ }^\circ\text{C} < T < 125\text{ }^\circ\text{C}$ | 15 | | | |
| | $I_{source} (V_{out} = 0\text{ V})$ | $T = 25\text{ }^\circ\text{C}$ | 20 | 28 | | |
| | | $-40\text{ }^\circ\text{C} < T < 125\text{ }^\circ\text{C}$ | 15 | | | |
| I_{CC} | Supply current (per channel, $V_{out} = V_{CC}/2$, $R_L > 1\text{ M}\Omega$) | $T = 25\text{ }^\circ\text{C}$ | | 59 | 70 | μA |
| | | $-40\text{ }^\circ\text{C} < T < 125\text{ }^\circ\text{C}$ | | | 85 | |

Table 4. Electrical characteristics at $V_{CC+} = 3.3\text{ V}$ with $V_{CC-} = 0\text{ V}$, $V_{icm} = V_{CC}/2$, $T = 25\text{ °C}$, and $R_L = 10\text{ k}\Omega$ connected to $V_{CC}/2$ (unless otherwise specified) (continued)

| Symbol | Parameter | Conditions | Min. | Typ. | Max. | Unit |
|-----------------------|------------------------------------|---|------|------|------|------------------------|
| AC performance | | | | | | |
| GBP | Gain bandwidth product | $R_L = 10\text{ k}\Omega$ $C_L = 100\text{ pF}$ | 700 | 850 | | kHz |
| F_u | Unity gain frequency | | | 650 | | |
| Φ_m | Phase margin | | | 45 | | Degrees |
| G_m | Gain margin | | | 15 | | dB |
| SR | Slew rate ⁽⁴⁾ | $R_L = 10\text{ k}\Omega$ $C_L = 100\text{ pF}$, $V_{out} = 0.5\text{ V to } V_{CC} - 0.5\text{ V}$ | | 0.35 | | V/ μ s |
| e_n | Equivalent input noise voltage | f = 1 kHz | | 35 | | $\frac{nV}{\sqrt{Hz}}$ |
| | | f = 10 kHz | | 32 | | |
| t_{init} | Initialization time ⁽⁵⁾ | T = 25 °C | | | 5 | ms |
| | | -40 °C < T < 125 °C | | | 50 | |

1. See [Section 4.4: Input offset voltage drift over temperature](#).
2. Typical value is based on the V_{io} drift observed after 1000h at 125 °C extrapolated to 25 °C using the Arrhenius law and assuming an activation energy of 0.7 eV. The operational amplifier is aged in follower mode configuration. See [Section 4.5: Long-term input offset voltage drift](#).
3. Guaranteed by characterization.
4. Slew rate value is calculated as the average between positive and negative slew rates.
5. Initialization time is defined as the delay after power-up which guarantees operation within specified performances. Guaranteed by design. See [Section 4.6: Initialization time](#).

Table 5. Electrical characteristics at $V_{CC+} = 5\text{ V}$ with $V_{CC-} = 0\text{ V}$, $V_{icm} = V_{CC}/2$, $T = 25\text{ }^{\circ}\text{C}$, and $R_L = 10\text{ k}\Omega$ connected to $V_{CC}/2$ (unless otherwise specified)

| Symbol | Parameter | Conditions | Min. | Typ. | Max. | Unit |
|--------------------------|---|---|------|-------------------|-------------|---|
| DC performance | | | | | | |
| V_{io} | Input offset voltage | $T = 25\text{ }^{\circ}\text{C}$ | | | 200 | μV |
| | | $-40\text{ }^{\circ}\text{C} < T < 85\text{ }^{\circ}\text{C}$ | | | 500 | |
| | | $-40\text{ }^{\circ}\text{C} < T < 125\text{ }^{\circ}\text{C}$ | | | 650 | |
| $\Delta V_{io}/\Delta T$ | Input offset voltage drift | $-40\text{ }^{\circ}\text{C} < T < 125\text{ }^{\circ}\text{C}^{(1)}$ | | | 4.5 | $\mu\text{V}/^{\circ}\text{C}$ |
| ΔV_{io} | Long-term input offset voltage drift | $T = 25\text{ }^{\circ}\text{C}^{(2)}$ | | 0.7 | | $\frac{\mu\text{V}}{\sqrt{\text{month}}}$ |
| I_{io} | Input offset current ($V_{out} = V_{CC}/2$) | $T = 25\text{ }^{\circ}\text{C}$ | | 1 | $10^{(3)}$ | pA |
| | | $-40\text{ }^{\circ}\text{C} < T < 125\text{ }^{\circ}\text{C}$ | | 1 | $300^{(3)}$ | |
| I_{ib} | Input bias current ($V_{out} = V_{CC}/2$) | $T = 25\text{ }^{\circ}\text{C}$ | | 1 | $10^{(3)}$ | pA |
| | | $-40\text{ }^{\circ}\text{C} < T < 125\text{ }^{\circ}\text{C}$ | | 1 | $300^{(3)}$ | |
| CMR | Common mode rejection ratio $20\log(\Delta V_{icm}/\Delta V_{io})$ $V_{icm} = 0\text{ V to }V_{CC}$, $V_{out} = V_{CC}/2$, $R_L > 1\text{ M}\Omega$ | $T = 25\text{ }^{\circ}\text{C}$ | 80 | 94 | | dB |
| | | $-40\text{ }^{\circ}\text{C} < T < 125\text{ }^{\circ}\text{C}$ | 78 | | | |
| SVR | Supply voltage rejection ratio $20\log(\Delta V_{CC}/\Delta V_{io})$ $V_{CC} = 1.5\text{ to }5.5\text{ V}$, $V_{ic} = 0\text{ V}$ | $T = 25\text{ }^{\circ}\text{C}$ | 76 | 90 | | dB |
| | | $-40\text{ }^{\circ}\text{C} < T < 125\text{ }^{\circ}\text{C}$ | 74 | | | |
| A_{vd} | Large signal voltage gain $V_{out} = 0.5\text{ V to } (V_{CC} - 0.5\text{ V})$ | $R_L = 10\text{ k}\Omega$, $T = 25\text{ }^{\circ}\text{C}$ | 105 | | | dB |
| | | $R_L = 10\text{ k}\Omega$, $-40\text{ }^{\circ}\text{C} < T < 125\text{ }^{\circ}\text{C}$ | 90 | | | |
| EMIRR | EMI rejection ratio $\text{EMIRR} = 20\log(V_{RFpeak}/\Delta V_{io})$ | $V_{RF} = 100\text{ mV}_{RFpeak}$, $f = 400\text{ MHz}$ | | 41 ⁽⁴⁾ | | dB |
| | | $V_{RF} = 100\text{ mV}_{RFpeak}$, $f = 900\text{ MHz}$ | | 51 ⁽⁴⁾ | | |
| | | $V_{RF} = 100\text{ mV}_{RFpeak}$, $f = 1800\text{ MHz}$ | | 61 ⁽⁴⁾ | | |
| | | $V_{RF} = 100\text{ mV}_{RFpeak}$, $f = 2400\text{ MHz}$ | | 66 ⁽⁴⁾ | | |
| V_{OH} | High level output voltage ($V_{OH} = V_{CC} - V_{out}$) | $T = 25\text{ }^{\circ}\text{C}$ | | | 75 | mV |
| | | $-40\text{ }^{\circ}\text{C} < T < 125\text{ }^{\circ}\text{C}$ | | | 80 | |
| V_{OL} | Low level output voltage | $T = 25\text{ }^{\circ}\text{C}$ | | | 40 | mV |
| | | $-40\text{ }^{\circ}\text{C} < T < 125\text{ }^{\circ}\text{C}$ | | | 60 | |
| I_{out} | I_{sink} ($V_{out} = V_{CC}$) | $T = 25\text{ }^{\circ}\text{C}$ | 40 | 68 | | mA |
| | | $-40\text{ }^{\circ}\text{C} < T < 125\text{ }^{\circ}\text{C}$ | 25 | | | |
| | I_{source} ($V_{out} = 0\text{ V}$) | $T = 25\text{ }^{\circ}\text{C}$ | 40 | 52 | | |
| | | $-40\text{ }^{\circ}\text{C} < T < 125\text{ }^{\circ}\text{C}$ | 25 | | | |
| I_{CC} | Supply current (per channel, $V_{out} = V_{CC}/2$, $R_L > 1\text{ M}\Omega$) | $T = 25\text{ }^{\circ}\text{C}$ | | 60 | 70 | μA |
| | | $-40\text{ }^{\circ}\text{C} < T < 125\text{ }^{\circ}\text{C}$ | | | 85 | |

Table 5. Electrical characteristics at $V_{CC+} = 5\text{ V}$ with $V_{CC-} = 0\text{ V}$, $V_{icm} = V_{CC}/2$, $T = 25\text{ }^{\circ}\text{C}$, and $R_L = 10\text{ k}\Omega$ connected to $V_{CC}/2$ (unless otherwise specified) (continued)

| Symbol | Parameter | Conditions | Min. | Typ. | Max. | Unit |
|-----------------------|--|--|------|-------|------|--------------------------------------|
| AC performance | | | | | | |
| GBP | Gain bandwidth product | $R_L = 10\text{ k}\Omega$, $C_L = 100\text{ pF}$ | 700 | 900 | | kHz |
| F_u | Unity gain frequency | | | 700 | | |
| Φ_m | Phase margin | | | 48 | | Degrees |
| G_m | Gain margin | | | 15 | | dB |
| SR | Slew rate ⁽⁵⁾ | $R_L = 10\text{ k}\Omega$, $C_L = 100\text{ pF}$, $V_{out} = 0.5\text{ V}$ to $V_{CC} - 0.5\text{ V}$ | | 0.35 | | V/ μs |
| $\int e_n$ | Low-frequency peak-to-peak input noise | Bandwidth: $f = 0.1$ to 10 Hz | | 7 | | μV_{pp} |
| e_n | Equivalent input noise voltage | $f = 1\text{ kHz}$ | | 35 | | $\frac{\text{nV}}{\sqrt{\text{Hz}}}$ |
| | | $f = 10\text{ kHz}$ | | 32 | | |
| THD+N | Total harmonic distortion + noise | $f_{in} = 1\text{ kHz}$, $A_{CL} = 1$, $R_L = 100\text{ k}\Omega$, $V_{icm} = (V_{CC} - 1\text{ V})/2$, $BW = 22\text{ kHz}$, $V_{out} = 0.5\text{ V}_{pp}$ | | 0.002 | | % |
| t_{init} | Initialization time ⁽⁶⁾ | $T = 25\text{ }^{\circ}\text{C}$ | | | 5 | ms |
| | | $-40\text{ }^{\circ}\text{C} < T < 125\text{ }^{\circ}\text{C}$ | | | 50 | |

1. See [Section 4.4: Input offset voltage drift over temperature](#).
2. Typical value is based on the V_{io} drift observed after 1000h at $125\text{ }^{\circ}\text{C}$ extrapolated to $25\text{ }^{\circ}\text{C}$ using the Arrhenius law and assuming an activation energy of 0.7 eV . The operational amplifier is aged in follower mode configuration. See [Section 4.5: Long-term input offset voltage drift](#).
3. Guaranteed by characterization.
4. Tested on SC70-5 package.
5. Slew rate value is calculated as the average between positive and negative slew rates.
6. Initialization time is defined as the delay after power-up to guarantee operation within specified performances. Guaranteed by design. See [Section 4.6: Initialization time](#).

Figure 2. Supply current vs. supply voltage at $V_{icm} = V_{CC}/2$

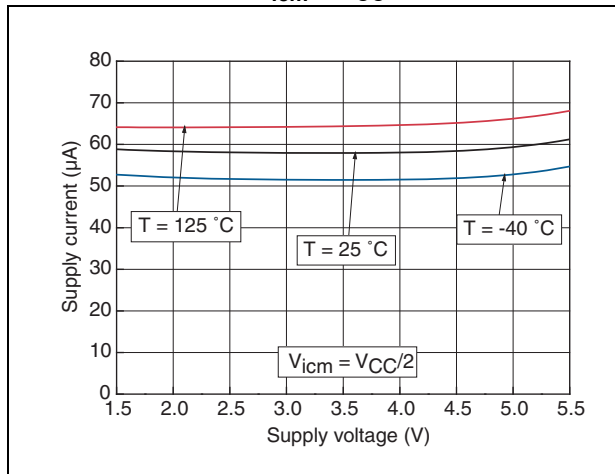


Figure 3. Input offset voltage distribution at $V_{CC} = 5 V, V_{icm} = V_{CC}/2$

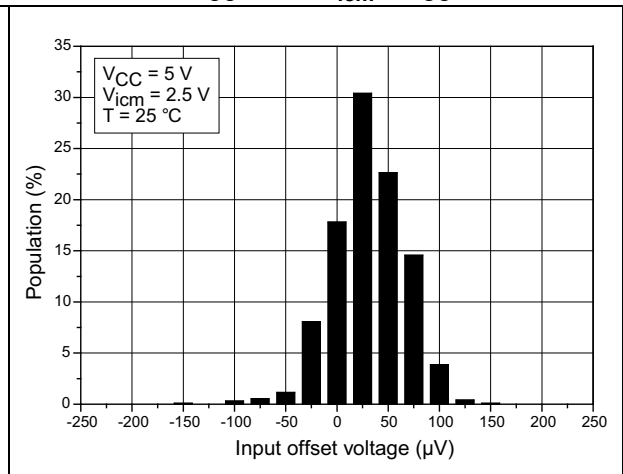


Figure 4. Input offset voltage distribution at $V_{CC} = 3.3 V, V_{icm} = V_{CC}/2$

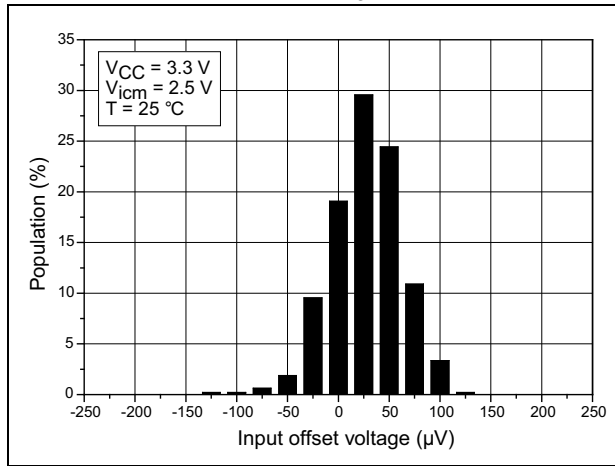


Figure 5. Input offset voltage temperature coefficient distribution

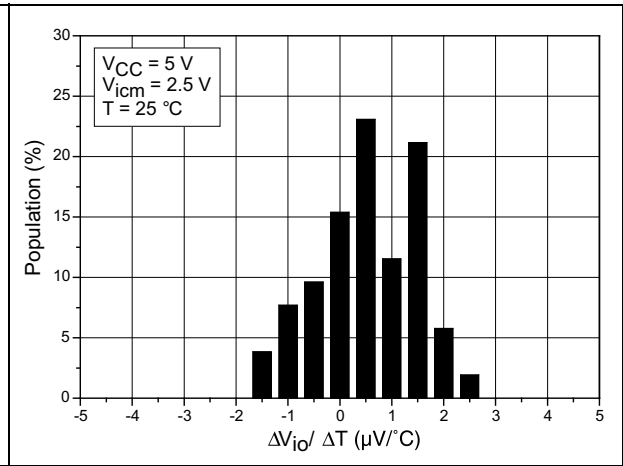


Figure 6. Input offset voltage vs. input common mode voltage

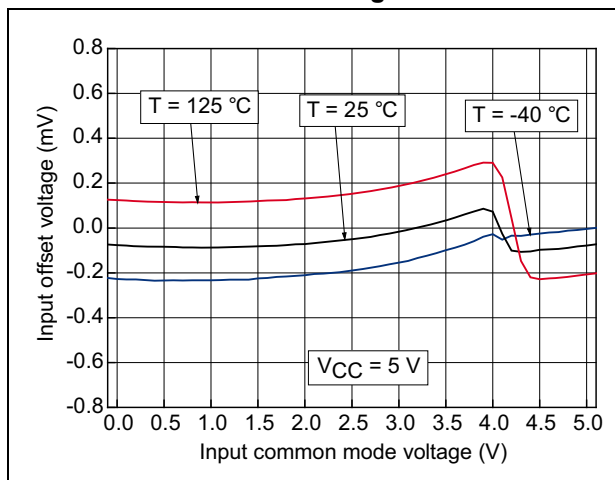


Figure 7. Input offset voltage vs. temperature

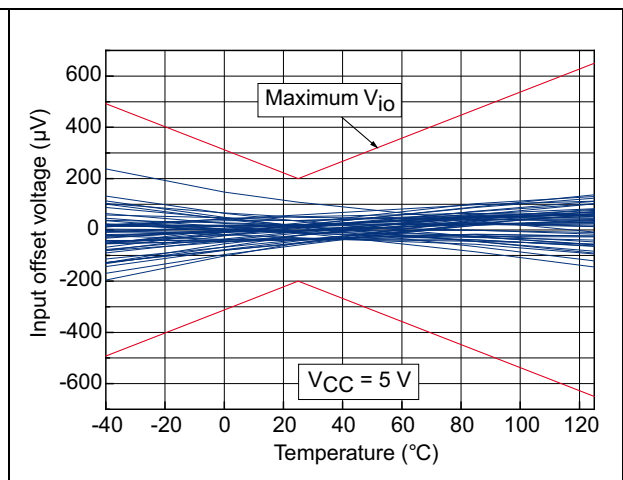


Figure 8. Output current vs. output voltage at $V_{CC} = 1.5\text{ V}$

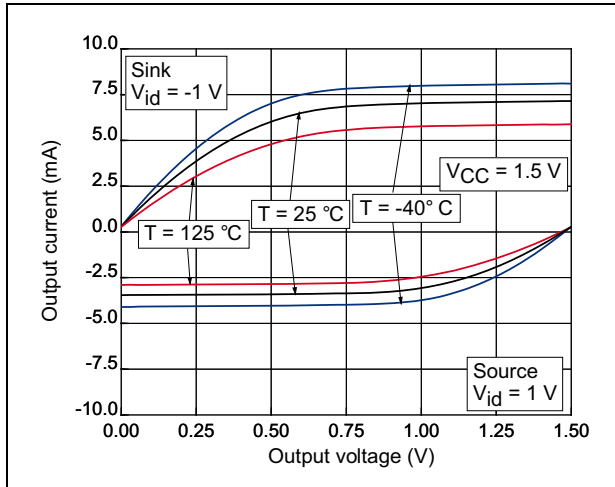


Figure 9. Output current vs. output voltage at $V_{CC} = 5\text{ V}$

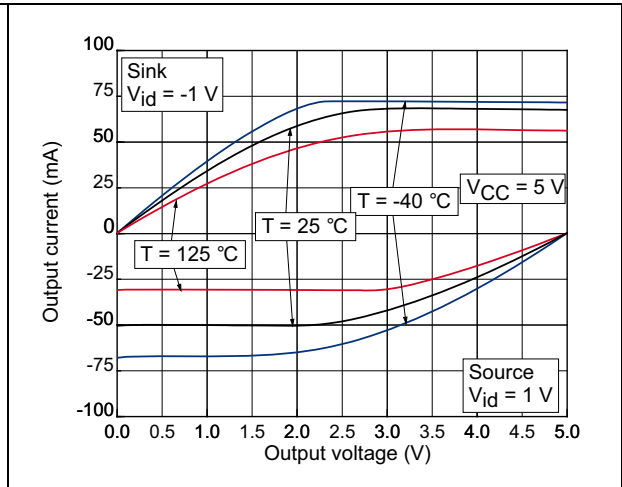


Figure 10. Output current vs. supply voltage

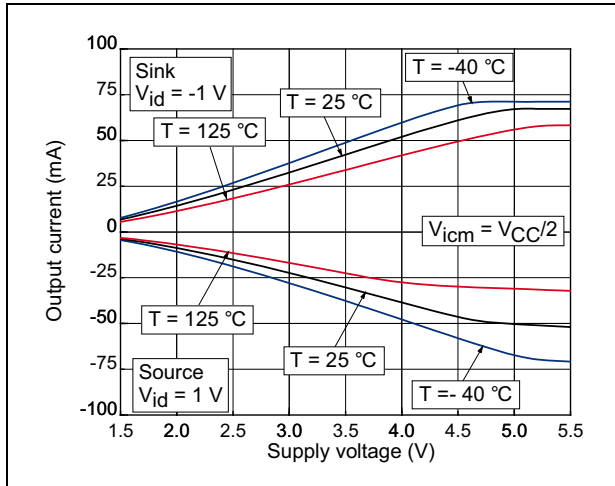


Figure 11. Bode diagram at $V_{CC} = 1.5\text{ V}$

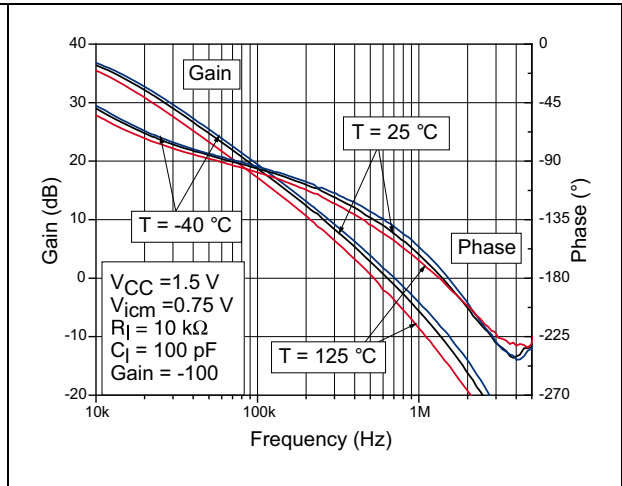


Figure 12. Bode diagram at $V_{CC} = 5\text{ V}$

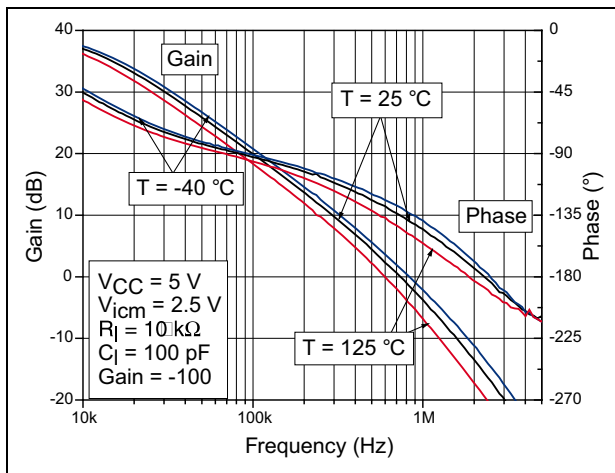


Figure 13. Closed-loop gain diagram vs. capacitive load

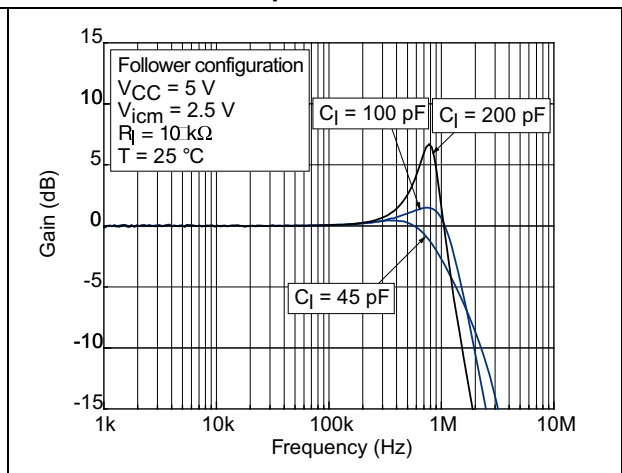


Figure 14. Positive slew rate

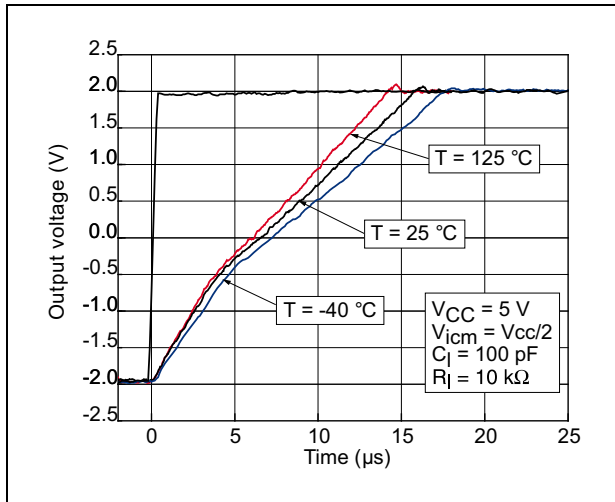


Figure 15. Negative slew rate

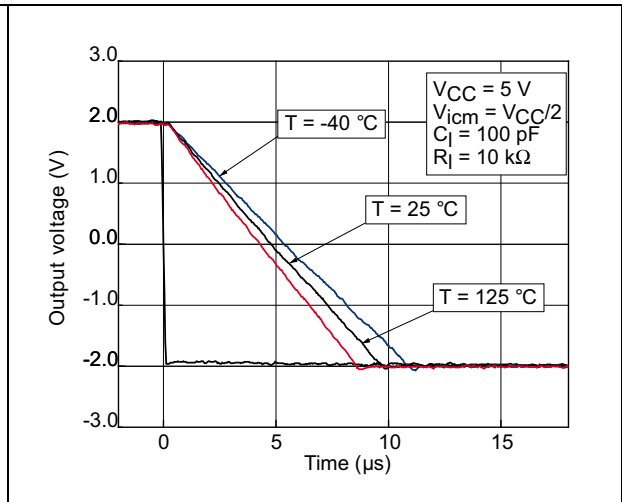


Figure 16. Slew rate vs. supply voltage

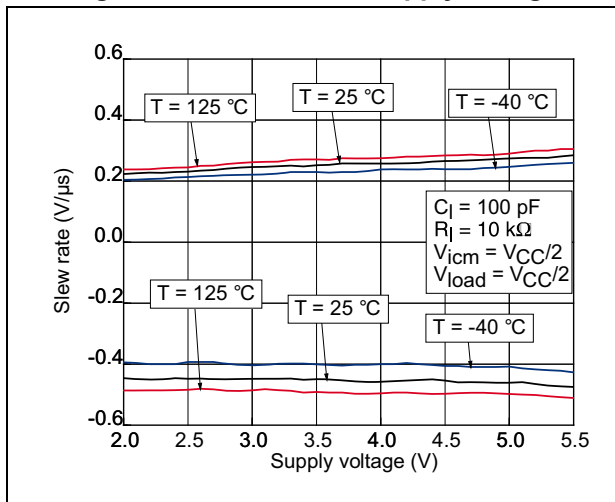


Figure 17. Noise vs. frequency

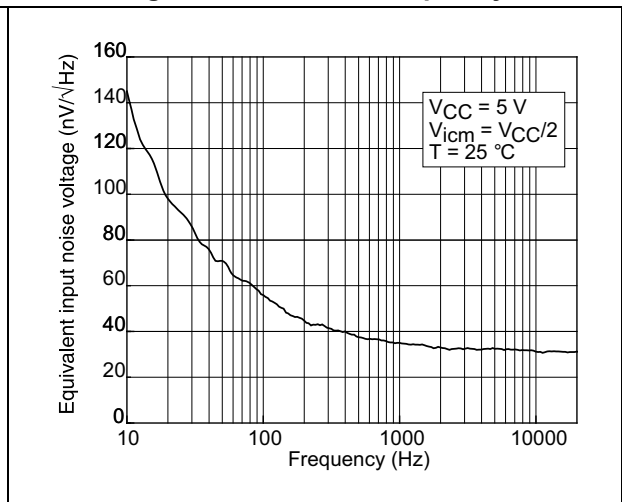


Figure 18. 0.1 Hz to 10 Hz noise

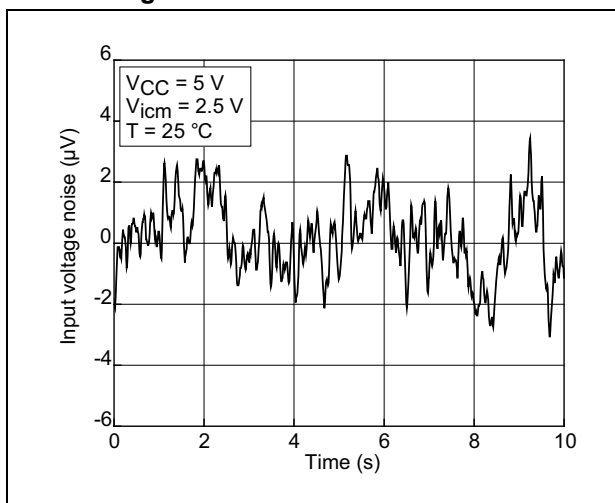


Figure 19. THD+N vs. frequency

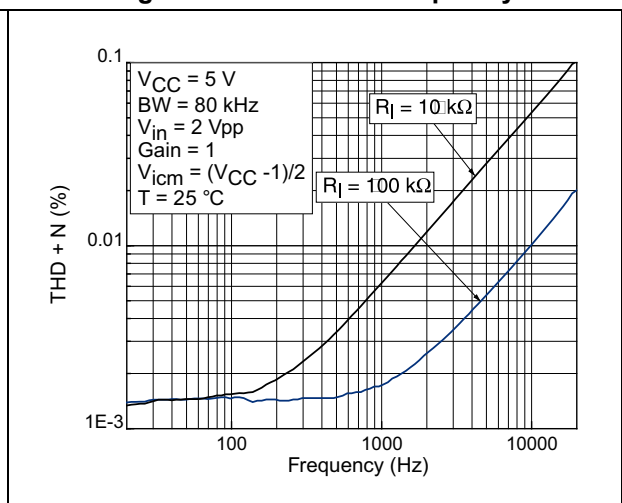


Figure 20. THD+N vs. output voltage

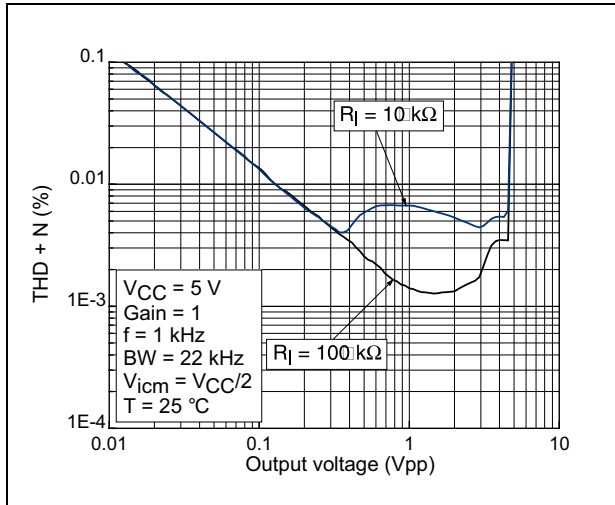
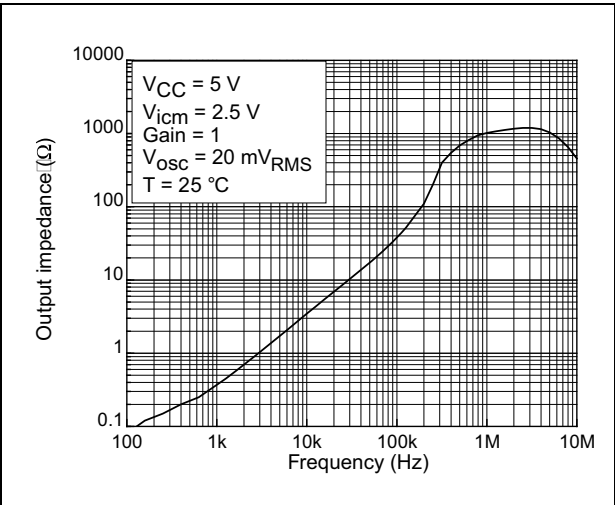


Figure 21. Output impedance vs. frequency in closed-loop configuration



4 Application information

4.1 Operating voltages

The TSV73x series of devices can operate from 1.5 V to 5.5 V. The parameters are fully specified for 1.8 V, 3.3 V, and 5 V power supplies. However, they are very stable in the full V_{CC} range and several characterization curves show TSV73x device characteristics at 1.5 V. In addition, the main specifications are guaranteed in the extended temperature range from $-40\text{ }^{\circ}\text{C}$ to $+125\text{ }^{\circ}\text{C}$.

4.2 Rail-to-rail input

The TSV731, TSV732, and TSV734 devices have a rail-to-rail input, and the input common mode range is extended from $V_{CC-} - 0.1\text{ V}$ to $V_{CC+} + 0.1\text{ V}$.

4.3 Rail-to-rail output

The output levels of the TSV73x operational amplifiers can go close to the rails: to a maximum of 40 mV below the upper rail and to a maximum of 75 mV above the lower rail when a 10 k Ω resistive load is connected to $V_{CC}/2$.

4.4 Input offset voltage drift over temperature

The maximum input voltage drift over the temperature variation is defined as the offset variation related to offset value measured at $25\text{ }^{\circ}\text{C}$. The operational amplifier is one of the main circuits of the signal conditioning chain, and the amplifier input offset is a major contributor to the chain accuracy. The signal chain accuracy at $25\text{ }^{\circ}\text{C}$ can be compensated during production at application level. The maximum input voltage drift over temperature enables the system designer to anticipate the effect of temperature variations.

The maximum input voltage drift over temperature is computed using [Equation 1](#).

Equation 1

$$\frac{\Delta V_{io}}{\Delta T} = \max \left| \frac{V_{io}(T) - V_{io}(25\text{ }^{\circ}\text{C})}{T - 25\text{ }^{\circ}\text{C}} \right|$$

with $T = -40\text{ }^{\circ}\text{C}$ and $125\text{ }^{\circ}\text{C}$.

The datasheet maximum value is guaranteed by a measurement on a representative sample size ensuring a C_{pk} (process capability index) greater than 1.33.

4.5 Long-term input offset voltage drift

To evaluate product reliability, two types of stress acceleration are used:

- Voltage acceleration, by changing the applied voltage
- Temperature acceleration, by changing the die temperature (below the maximum junction temperature allowed by the technology) with the ambient temperature.

The voltage acceleration has been defined based on JEDEC results, and is defined using [Equation 2](#).

Equation 2

$$A_{FV} = e^{\beta \cdot (V_S - V_U)}$$

Where:

A_{FV} is the voltage acceleration factor

β is the voltage acceleration constant in $1/V$, constant technology parameter ($\beta = 1$)

V_S is the stress voltage used for the accelerated test

V_U is the voltage used for the application

The temperature acceleration is driven by the Arrhenius model, and is defined in [Equation 3](#).

Equation 3

$$A_{FT} = e^{\frac{E_a}{k} \cdot \left(\frac{1}{T_U} - \frac{1}{T_S} \right)}$$

Where:

A_{FT} is the temperature acceleration factor

E_a is the activation energy of the technology based on the failure rate

k is the Boltzmann constant ($8.6173 \times 10^{-5} \text{ eV.K}^{-1}$)

T_U is the temperature of the die when V_U is used (K)

T_S is the temperature of the die under temperature stress (K)

The final acceleration factor, A_F , is the multiplication of the voltage acceleration factor and the temperature acceleration factor ([Equation 4](#)).

Equation 4

$$A_F = A_{FT} \times A_{FV}$$

A_F is calculated using the temperature and voltage defined in the mission profile of the product. The A_F value can then be used in [Equation 5](#) to calculate the number of months of use equivalent to 1000 hours of reliable stress duration.

Equation 5

$$\text{Months} = A_F \times 1000 \text{ h} \times 12 \text{ months} / (24 \text{ h} \times 365.25 \text{ days})$$

To evaluate the op-amp reliability, a follower stress condition is used where V_{CC} is defined as a function of the maximum operating voltage and the absolute maximum rating (as recommended by JEDEC rules).

The V_{io} drift (in μV) of the product after 1000 h of stress is tracked with parameters at different measurement conditions (see [Equation 6](#)).

Equation 6

$$V_{CC} = \max V_{op} \text{ with } V_{icm} = V_{CC} / 2$$

The long term drift parameter (ΔV_{io}), estimating the reliability performance of the product, is obtained using the ratio of the V_{io} (input offset voltage value) drift over the square root of the calculated number of months ([Equation 7](#)).

Equation 7

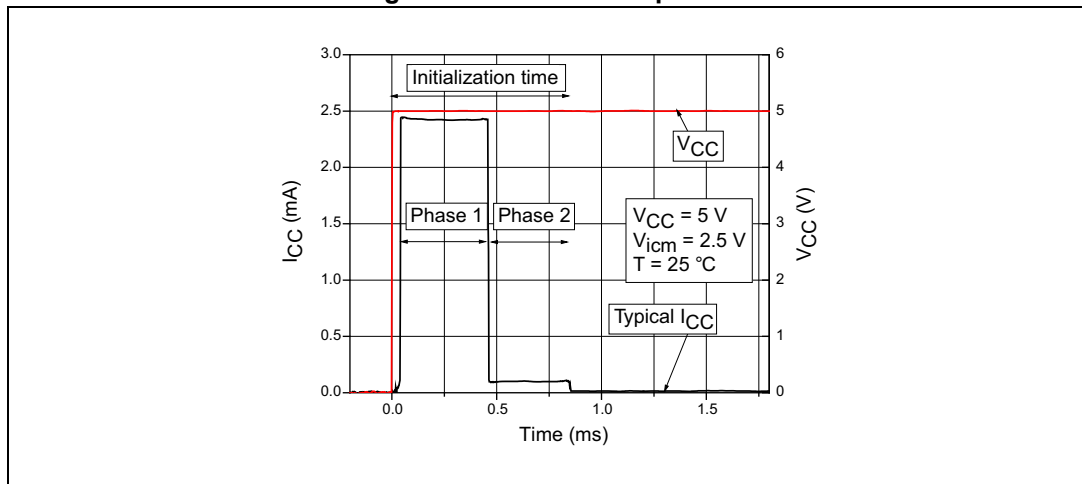
$$\Delta V_{io} = \frac{V_{io} \text{ drift}}{\sqrt{(\text{months})}}$$

where V_{io} drift is the measured drift value in the specified test conditions after 1000 h stress duration.

4.6 Initialization time

The TSV73x series of devices use a proprietary trimming topology that is initiated at each device power-up and allows excellent V_{io} performance to be achieved. The initialization time is defined as the delay after power-up which guarantees operation within specified performances. During this period, the current consumption (I_{CC}) and the input offset voltage (V_{io}) can be different to the typical ones.

Figure 22. Initialization phase



The initialization time is V_{CC} and temperature dependent. Table 6 sums up the measurement results for different supply voltages and for temperatures varying from $-40\text{ }^\circ\text{C}$ to $125\text{ }^\circ\text{C}$.

Table 6. Initialization time measurement results

| V_{CC} (V) | Temperature: $-40\text{ }^\circ\text{C}$ | | Temperature: $25\text{ }^\circ\text{C}$ | | Temperature: $125\text{ }^\circ\text{C}$ | |
|--------------|--|-----------------------|---|-----------------------|--|-----------------------|
| | T_{init} (ms) | I_{CC} phase 1 (mA) | T_{init} (ms) | I_{CC} phase 1 (mA) | T_{init} (ms) | I_{CC} phase 1 (mA) |
| 1.8 | 37 | 0.33 | 3.2 | 0.40 | 0.35 | 0.46 |
| 3.3 | 2.9 | 1.4 | 0.95 | 1.3 | 0.34 | 1.2 |
| 5 | 2.4 | 3.2 | 0.85 | 2.4 | 0.31 | 2.9 |

4.7 PCB layouts

For correct operation, it is advised to add a 10 nF decoupling capacitors as close as possible to the power supply pins.

4.8 Macromodel

Accurate macromodels of the TSV73x devices are available on the STMicroelectronics' website at www.st.com. These model are a trade-off between accuracy and complexity (that is, time simulation) of the TSV73x operational amplifiers. They emulate the nominal performance of a typical device within the specified operating conditions mentioned in the datasheet. They also help to validate a design approach and to select the right operational amplifier, *but they do not replace on-board measurements*.

5 Package information

In order to meet environmental requirements, ST offers these devices in different grades of ECOPACK[®] packages, depending on their level of environmental compliance. ECOPACK[®] specifications, grade definitions and product status are available at: www.st.com. ECOPACK[®] is an ST trademark.

5.1 SC70-5 package information

Figure 23. SC70-5 package mechanical drawing

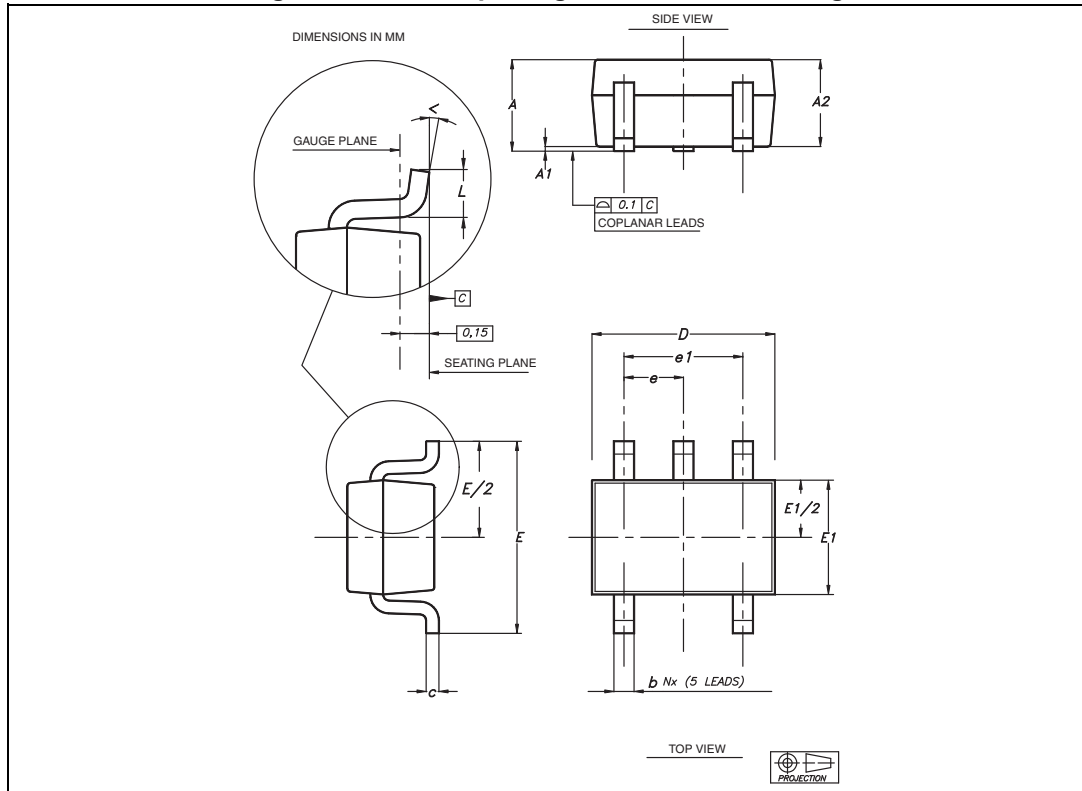


Table 7. SC70-5 package mechanical data

| Symbol | Dimensions | | | | | |
|--------|-------------|------|------|--------|-------|-------|
| | Millimeters | | | Inches | | |
| | Min. | Typ. | Max. | Min. | Typ. | Max. |
| A | 0.80 | | 1.10 | 0.032 | | 0.043 |
| A1 | 0 | | 0.10 | | | 0.004 |
| A2 | 0.80 | 0.90 | 1.00 | 0.032 | 0.035 | 0.039 |
| b | 0.15 | | 0.30 | 0.006 | | 0.012 |
| c | 0.10 | | 0.22 | 0.004 | | 0.009 |
| D | 1.80 | 2.00 | 2.20 | 0.071 | 0.079 | 0.087 |
| E | 1.80 | 2.10 | 2.40 | 0.071 | 0.083 | 0.094 |
| E1 | 1.15 | 1.25 | 1.35 | 0.045 | 0.049 | 0.053 |
| e | | 0.65 | | | 0.025 | |
| e1 | | 1.30 | | | 0.051 | |
| L | 0.26 | 0.36 | 0.46 | 0.010 | 0.014 | 0.018 |
| < | 0° | | 8° | 0° | | 8° |

5.2 DFN8 2x2 package information

Figure 24. DFN8 2x2 package mechanical drawing

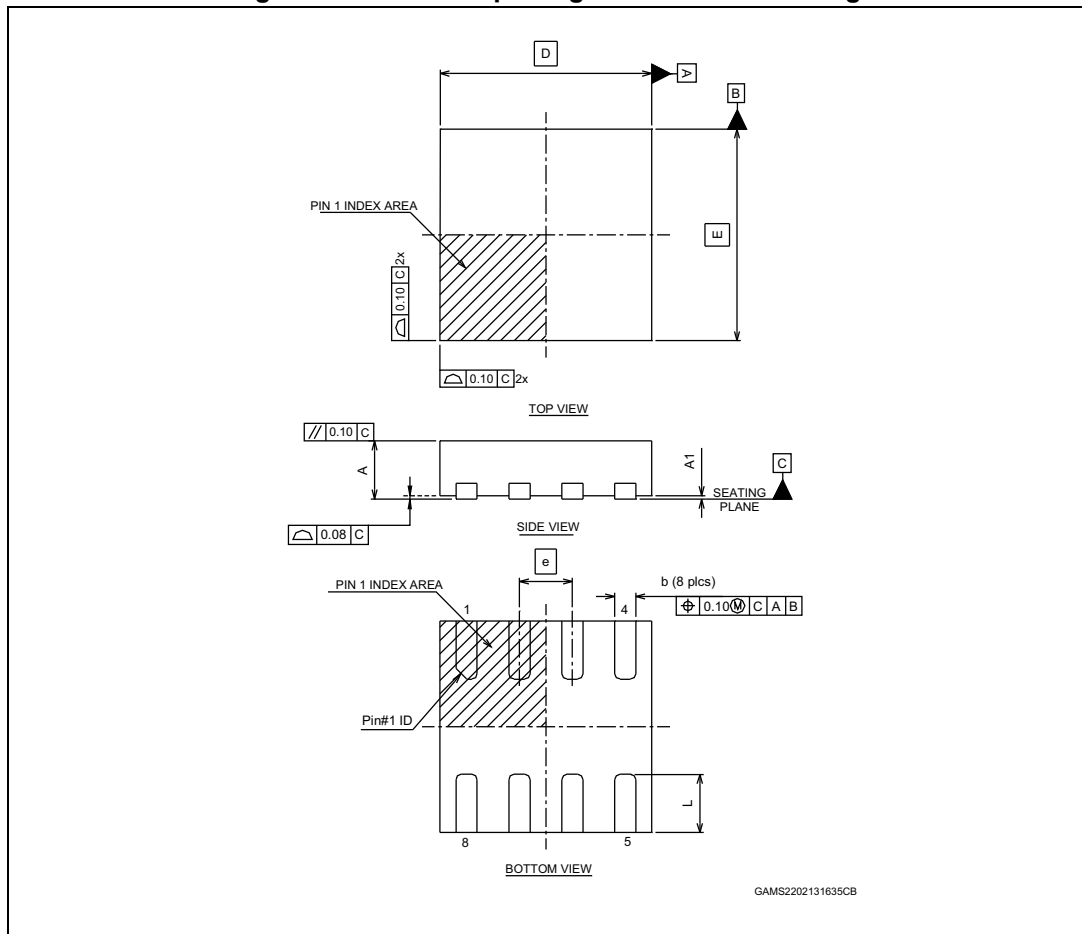


Table 8. DFN8 2x2 package mechanical data

| Ref. | Dimensions | | | | | |
|------|-------------|------|------|--------|-------|-------|
| | Millimeters | | | Inches | | |
| | Min. | Typ. | Max. | Min. | Typ. | Max. |
| A | 0.70 | 0.75 | 0.80 | 0.028 | 0.030 | 0.031 |
| A1 | 0.00 | 0.02 | 0.05 | 0.000 | 0.001 | 0.002 |
| b | 0.15 | 0.20 | 0.25 | 0.006 | 0.008 | 0.010 |
| D | | 2.00 | | | 0.079 | |
| E | | 2.00 | | | 0.079 | |
| e | | 0.50 | | | 0.020 | |
| L | 0.045 | 0.55 | 0.65 | 0.018 | 0.022 | 0.026 |
| N | 8 | | | 8 | | |

5.3 MiniSO-8 package information

Figure 25. MiniSO-8 package mechanical drawing

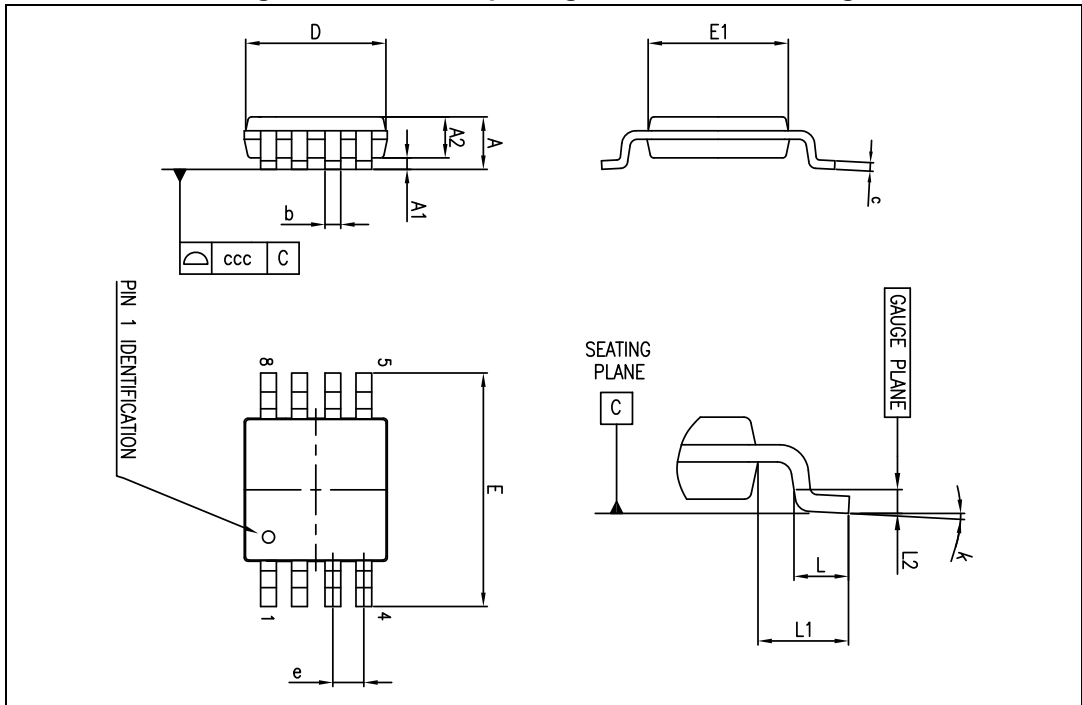


Table 9. MiniSO-8 package mechanical data

| Ref. | Dimensions | | | | | |
|------|-------------|------|------|--------|-------|-------|
| | Millimeters | | | Inches | | |
| | Min. | Typ. | Max. | Min. | Typ. | Max. |
| A | | | 1.1 | | | 0.043 |
| A1 | 0 | | 0.15 | 0 | | 0.006 |
| A2 | 0.75 | 0.85 | 0.95 | 0.030 | 0.033 | 0.037 |
| b | 0.22 | | 0.40 | 0.009 | | 0.016 |
| c | 0.08 | | 0.23 | 0.003 | | 0.009 |
| D | 2.80 | 3.00 | 3.20 | 0.11 | 0.118 | 0.126 |
| E | 4.65 | 4.90 | 5.15 | 0.183 | 0.193 | 0.203 |
| E1 | 2.80 | 3.00 | 3.10 | 0.11 | 0.118 | 0.122 |
| e | | 0.65 | | | 0.026 | |
| L | 0.40 | 0.60 | 0.80 | 0.016 | 0.024 | 0.031 |
| L1 | | 0.95 | | | 0.037 | |
| L2 | | 0.25 | | | 0.010 | |
| k | 0° | | 8° | 0° | | 8° |
| ccc | | | 0.10 | | | 0.004 |

5.4 QFN16 3x3 package information

Figure 26. QFN16 3x3 package mechanical drawing

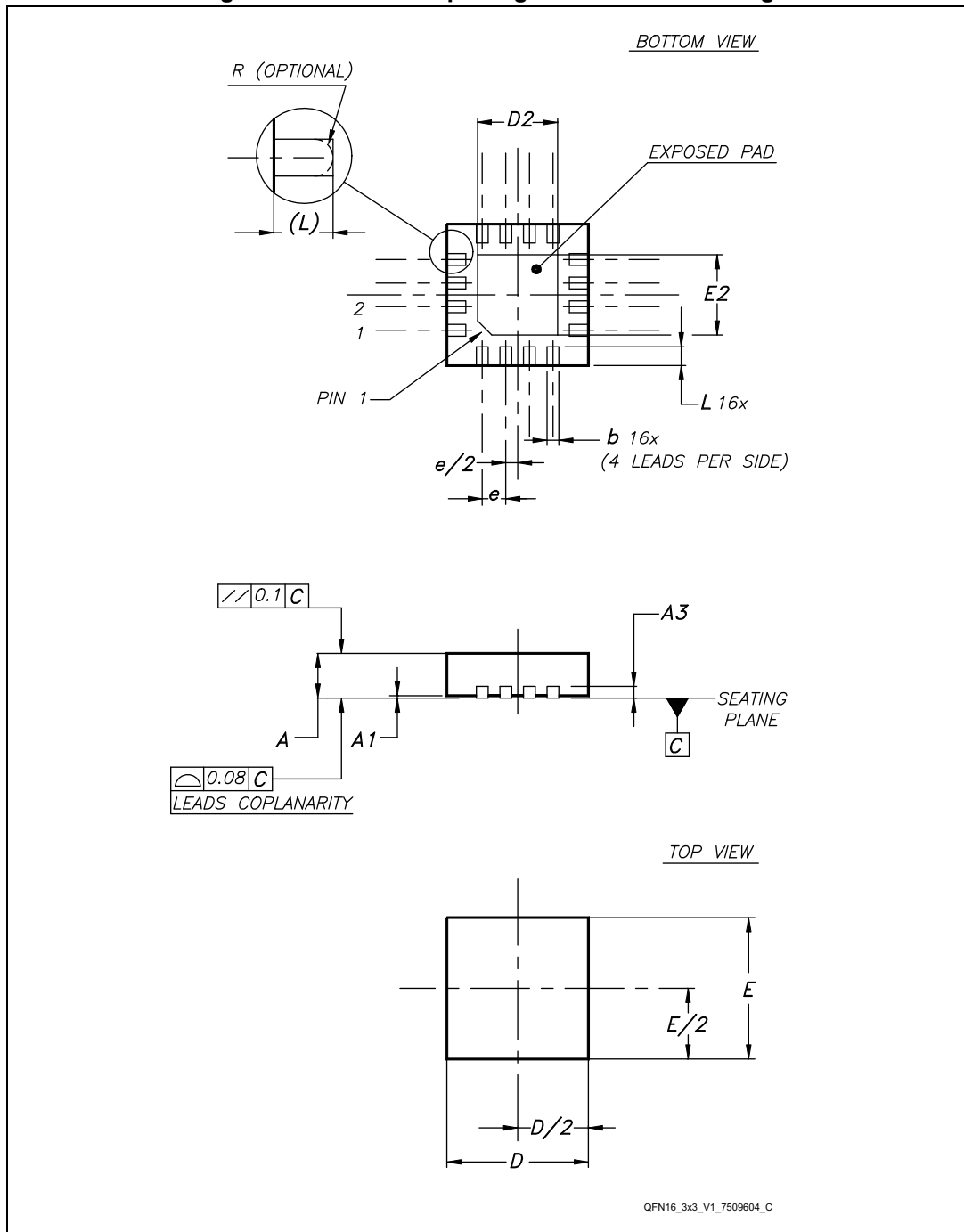
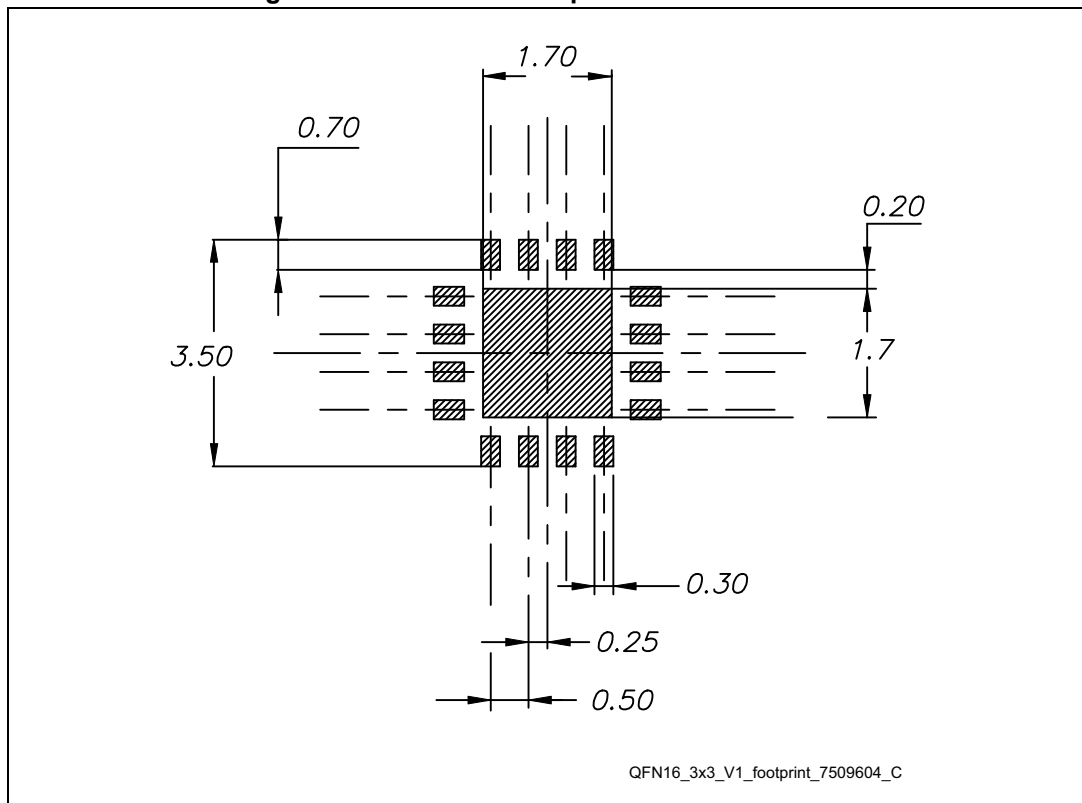


Table 10. QFN16 3x3 mm package mechanical data (pitch 0.5 mm)

| Ref. | Dimensions | | | | | |
|------|-------------|------|------|--------|-------|-------|
| | Millimeters | | | Inches | | |
| | Min. | Typ. | Max. | Min. | Typ. | Max. |
| A | 0.80 | 0.90 | 1.00 | 0.031 | 0.035 | 0.039 |
| A1 | 0 | | 0.05 | 0 | | 0.002 |
| A3 | | 0.20 | | | 0.008 | |
| b | 0.18 | | 0.30 | 0.007 | | 0.012 |
| D | 2.90 | 3.00 | 3.10 | 0.114 | 0.118 | 0.122 |
| D2 | 1.50 | | 1.80 | 0.059 | | 0.071 |
| E | 2.90 | 3.00 | 3.10 | 0.114 | 0.118 | 0.122 |
| E2 | 1.50 | | 1.80 | 0.059 | | 0.071 |
| e | | 0.50 | | | 0.020 | |
| L | 0.30 | | 0.50 | 0.012 | | 0.020 |

Figure 27. QFN16 3x3 footprint recommendation



5.5 TSSOP14 package information

Figure 28. TSSOP14 package mechanical drawing

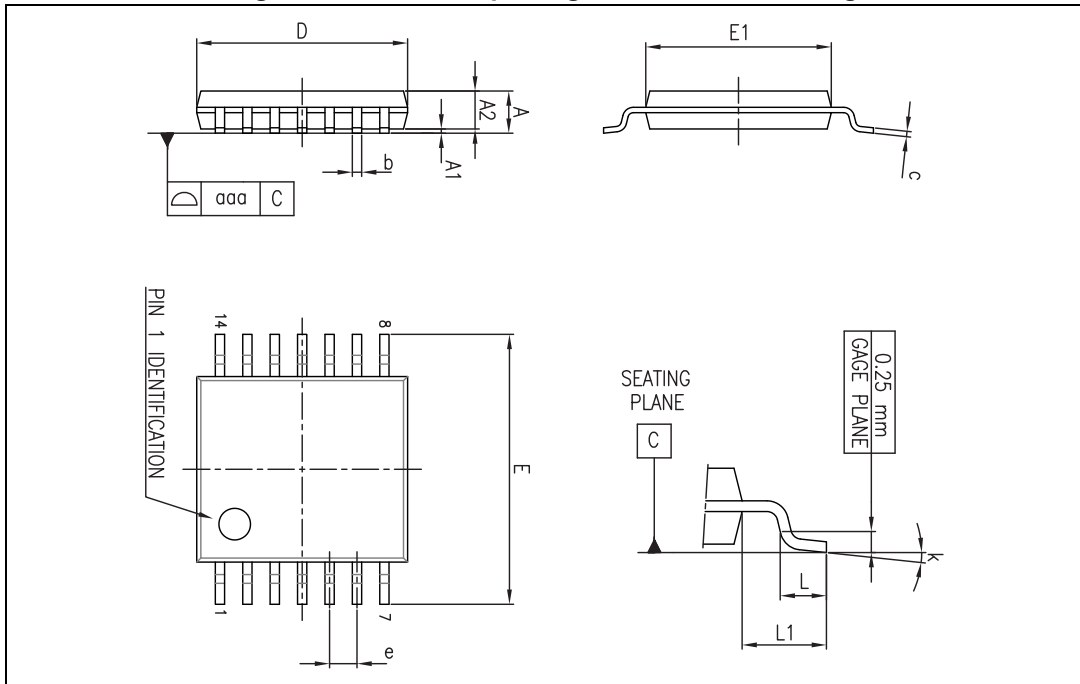


Table 11. TSSOP14 package mechanical data

| Ref. | Dimensions | | | | | |
|------|-------------|------|------|--------|--------|--------|
| | Millimeters | | | Inches | | |
| | Min. | Typ. | Max. | Min. | Typ. | Max. |
| A | | | 1.20 | | | 0.047 |
| A1 | 0.05 | | 0.15 | 0.002 | 0.004 | 0.006 |
| A2 | 0.80 | 1.00 | 1.05 | 0.031 | 0.039 | 0.041 |
| b | 0.19 | | 0.30 | 0.007 | | 0.012 |
| c | 0.09 | | 0.20 | 0.004 | | 0.0089 |
| D | 4.90 | 5.00 | 5.10 | 0.193 | 0.197 | 0.201 |
| E | 6.20 | 6.40 | 6.60 | 0.244 | 0.252 | 0.260 |
| E1 | 4.30 | 4.40 | 4.50 | 0.169 | 0.173 | 0.176 |
| e | | 0.65 | | | 0.0256 | |
| L | 0.45 | 0.60 | 0.75 | 0.018 | 0.024 | 0.030 |
| L1 | | 1.00 | | | 0.039 | |
| k | 0° | | 8° | 0° | | 8° |
| aaa | | | 0.10 | | | 0.004 |

6 Ordering information

Table 12. Order codes

| Order code | Temperature range | Package | Packaging | Marking |
|------------|-------------------|-----------|---------------|----------|
| TSV731ICT | -40° C to +125° C | SC70-5 | Tape and reel | K1X |
| TSV732IQ2T | | DFN8 2x2 | | K1X |
| TSV732IST | | MiniSO8 | | V732 |
| TSV734IQ4T | | QFN16 3x3 | | K1X |
| TSV734IPT | | TSSOP14 | | TSV734IP |

7 Revision history

Table 13. Document revision history

| Date | Revision | Changes |
|-------------|----------|---|
| 24-Sep-2012 | 1 | Initial internal release |
| 26-Mar-2013 | 2 | Initial public release. Datasheet updated for two new products: TSV732 and TSV734. Four new packages added: DFN8 2x2, MiniSO-8, QFN16 3x3, and TSSOP14. Updated Table 3 , Table 4 , and Table 5 . Section 4: Application information : re-written |