

REVISION B
REVISED AND
REDRAWN ON
CAD/CAM
DATE/ENG

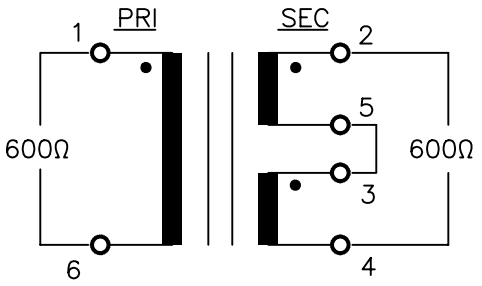
REVISION C
TEMECULA
WAS CARSON
ADDED SAFETY
6/15/95 TS

REVISION D
NEW
FORMAT
07/01/98

- A. Electrical Specifications (@ 25 ° C)
- Pri Source Impedance; 600Ω
 - Sec Load Impedance; 600Ω split
 - Operating Level; -45dBm to +10dBm
 - Insertion Loss;
 - 1.9dB MAX @ 1.8KHz 0dBm, DC90mA
 - Frequency Response (relative to 1.8KHz)
 - +0.3dB, -1.3dB @ 500 to 3500Hz 0dBm, DC90mA
 - +0.3dB, -2.5dB @ 300 to 3500Hz 0dBm, DC90mA
 - Pri Impedance; 600Ω ±20% @ 500 to 1800Hz 0dBm, DC90mA
 - Pri Return Loss; 14dB MIN @ 1.8KHz 0dBm, DC90mA
 - Longitudinal Balance; 60dB MIN @ 300 to 4000Hz
 - Total Harmonic Distortion; 1.0% MAX @ 300 to 3500Hz 0dBm, DC90mA
 - DC Resistance;
 - (1-6) = 75 Ω ±10%
 - (2-4) = 95 Ω ±10%
 - Turns Ratio; $\frac{(1-6)}{(2-5)} : \frac{(2-4)}{(3-4)} = 1 : 1.04 \pm 2\%$ (3-5) shorted
 - Dielectric Strength;
 - 1500Vrms 1 minute @ Pri to Sec, Pri to Core
 - 1500Vrms 1 minute @ Sec to Core

B. Marking; TTC-142-2, TAMURA, T9312, MICROTRAN, date code, country of origin and safety agency logos

C. Schematic Diagram



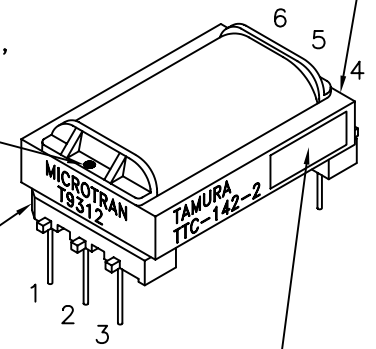
White Dot (PRIMARY)

Bevel (PIN 1)

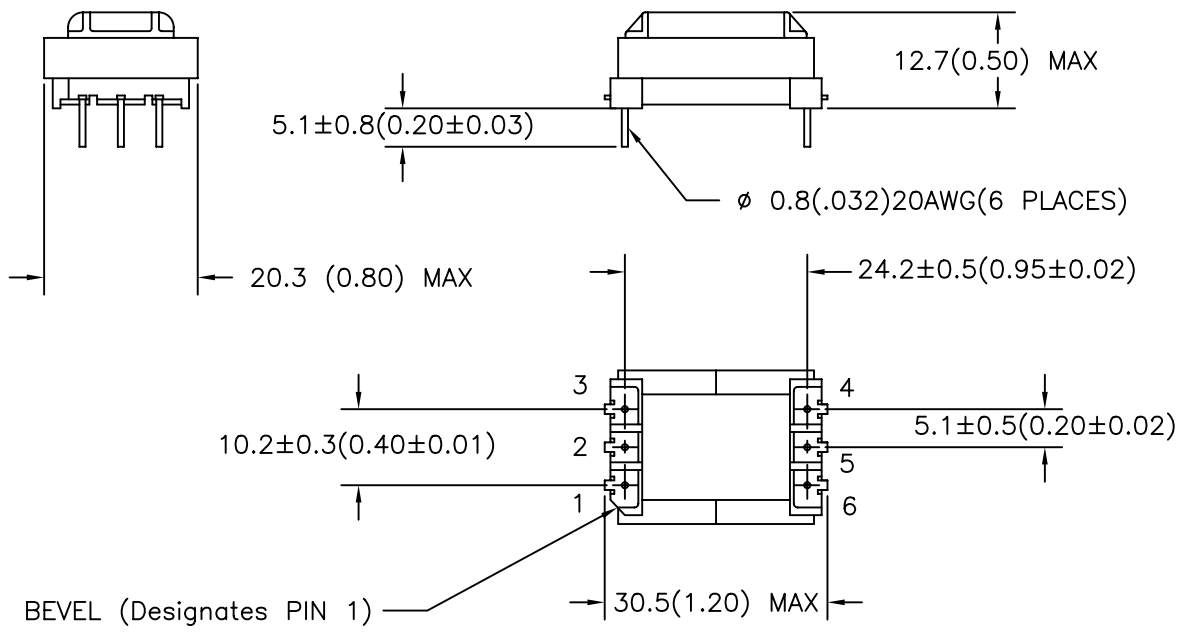
SAFETY APPROVAL LOGOS



Date code and country of origin



D. Mechanical Specifications



PREPARED BY:

J. Peterson

ENGINEER:

T. Shiozawa

QUALITY CONTROL:

D. Kelley

APPROVED:

D. Kelley

DWG CONTROL NO.
P-A1-10038
ACAD\TTC\A1100381.DWG

REV
D

TELECOMMUNICATION COUPLING
TRANSFORMER

TAMURA CORPORATION OF AMERICA
43352 BUSINESS PARK DRIVE, TEMECULA, CA. 92590-6624
(909) 699-1270 FAX 9096769482

TTC-142-2

MODEL SPECIFICATION

DIM: mm(in) SCL: 1/1 SH: 1 OF 1

PROPRIETARY NOTICE: THIS DRAWING PRINT OR DOCUMENT AND SUBJECT MATTER DISCLOSED HEREIN ARE PROPRIETARY ITEMS TO WHICH TAMURA RETAINS THE EXCLUSIVE RIGHT OF DISSEMINATION, REPRODUCTION, MANUFACTURE AND SALE. THIS DRAWING, PRINT OR DOCUMENT IS SUBMITTED IN CONFIDENCE FOR CONSIDERATION BY THE RECIPIENT ALONE UNLESS PERMISSION FOR FURTHER DISCLOSURE IS EXPRESSLY GRANTED IN WRITING.