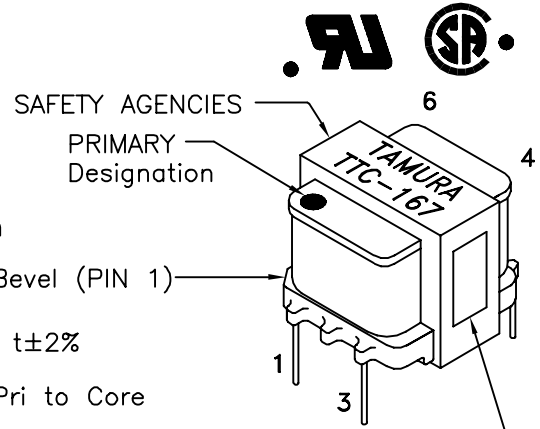


DRY COUPLING TELECOMMUNICATION COUPLING TRANSFORMER FCC PART 68

A. Electrical Specifications (@ 25 ° C)

1. Pri Source Impedance; 10KΩ
2. Sec Load Impedance; 10KΩ
3. Insertion Loss;
1.7 dB MAX @ 1 KHz 0 dBm
5. Frequency Response (relative to 1 KHz);
±1.0 dB @ 300 Hz to 4 KHz, 0 dBm
7. DC Resistance;
(1-3) = 330 Ω ±20%
(4-6) = 420 Ω ±20%
8. Turns Ratio; (1-3) : (4-6) = 1 : 1.00 ±2%
9. Dielectric Strength;
1000 Vrms, 1 minute @ Pri to Sec, Pri to Core
1000 Vrms, 1 minute @ Sec to Core



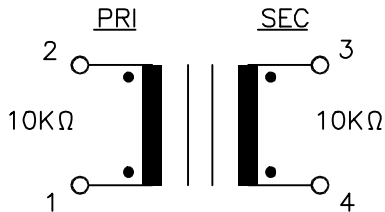
MODEL NUMBER
TTC-167

B. Marking; TTC-167, TAMURA, date code, country of origin and safety logos

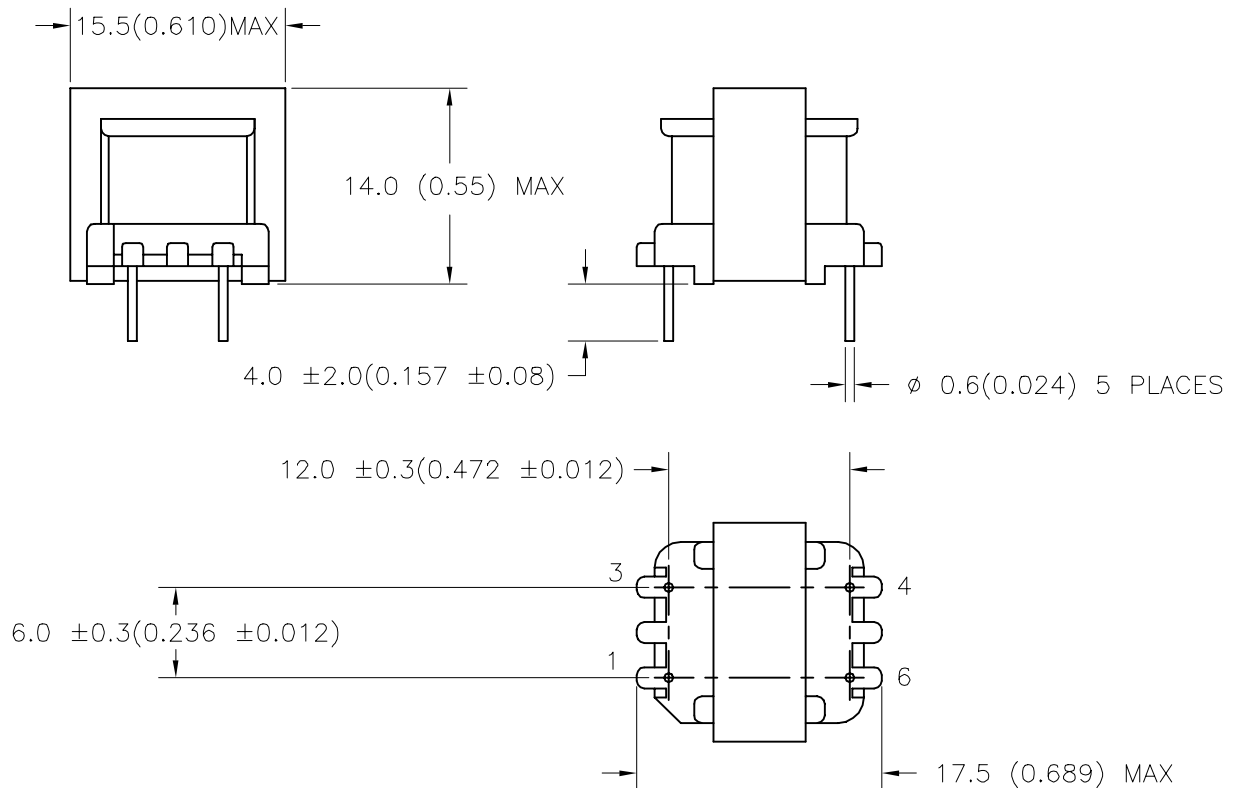
C. Safety: CSA C22.2 No. 66-M1988 File No. LR81383
UL 1863 File No. E142035

Date code and country of origin

D. Schematic Diagram



E. Mechanical Specifications



PREPARED BY:

K. Brennan

ENGINEER:

T. Shiozawa

QUALITY CONTROL:

APPROVED:

D. Kelley

DRAWING CONTROL NO.
P-A1-10697
ACAD\TTC\A1106971.DWG

REV
A

MODEL DESCRIPTION
TELECOMMUNICATION COUPLING
TRANSFORMER

TAMURA CORPORATION OF AMERICA
43352 BUSINESS PARK DRIVE, TEMECULA, CA. 92590-6624
(909) 699-1270 FAX 9096769482

MODEL SPECIFICATION

TTC-167

DIM: mm(In) SCL: 2/1 SH: 1 OF 1

PROPRIETARY NOTICE: THIS DRAWING PRINT OR DOCUMENT AND SUBJECT MATTER DISCLOSED HEREIN ARE PROPRIETARY ITEMS TO WHICH TAMURA RETAINS THE EXCLUSIVE RIGHT OF DISSEMINATION, REPRODUCTION, MANUFACTURE AND SALE. THIS DRAWING, PRINT OR DOCUMENT IS SUBMITTED IN CONFIDENCE FOR CONSIDERATION BY THE RECIPIENT ALONE UNLESS PERMISSION FOR FURTHER DISCLOSURE IS EXPRESSLY GRANTED IN WRITING.