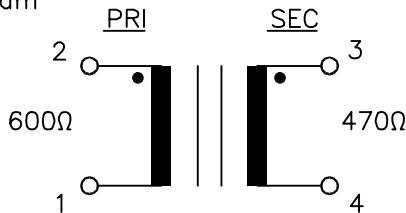


REV. Status

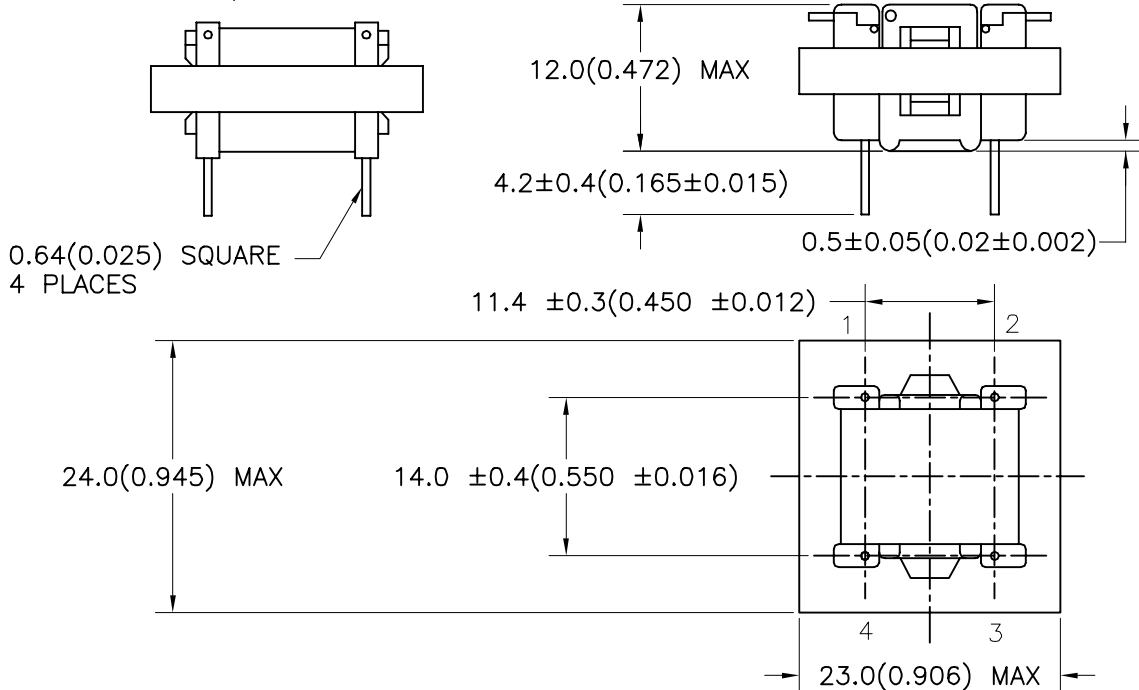
REVISION - 9/19/91 HA
REVISION A 1/3/92 HA
REVISION B REV MARKING LOCATION 6/16/92 TS
REVISION C ADDED SAFETY NOTE 7/30/92 TS
REVISION D TEMECULA -WAS- CARSON 1/13/93 TS
REVISION E ADDED DIM 4.2±0.4 (0.165±0.015) 3/19/93 TS
REVISION F ADDED DIM 0.64(0.025) SQUARE TYPICAL 4 PLACES. DC RES (1-2) -WAS- 95? ± 10%. 3/26/93 TS
REVISION G REV LABEL ADDED TM105 AND MICROTRAN 06/26/96 TS
REVISION H ADDED STANDOFF DIM 0.5(.02) 02/12/97 TS

TELECOMMUNICATION WET COUPLING TRANSFORMER DESIGNED TO OPERATE FROM -20DBM TO +4DBM WITH 0 TO 100 MADC IN PRIMARY AND REFLECT A PRIMARY SOURCE IMPEDANCE OF APPROX. 600Ω WITH 470Ω TO 600Ω LOAD ON SECONDARY:

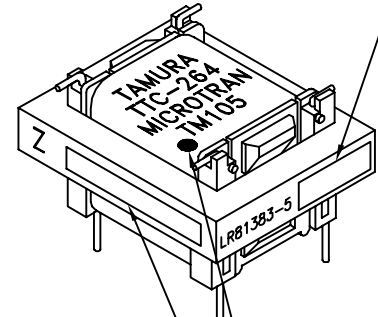
- A. Electrical Specifications (@ 25 ° C)
- Pri Source Impedance; 600Ω
 - Sec Load Impedance; 470Ω
 - Operating Level; -20 dBm to +4 dBm
 - Insertion Loss; 2.5 dBMAX @ 1KHz, 0dBm, DC 30mA
 - Frequency Response (relative to 1 KHz)
 - ±4.0 dB 300 Hz to 600 Hz @ 0 dBm
 - ±1.0 dB 600 Hz to 3.5 KHz @ 0 dBm
 - Longitudinal Balance;
 - 60 dB MIN @ 60 Hz to 1 KHz
 - 46 dB MIN @ 1 KHz to 4 KHz
 - DC Resistance;
 - (1-2) = 108Ω ±10%, -20%
 - (3-4) = 120Ω ±10 %
 - Turns Ratio; (1-2) : (4-3) = 1 : 1.00 ±2%
 - Dielectric Strength;
 - 1500 Vrms 1 minute @ Pri to Sec, Pri to Core
 - 1250 Vrms 1 minute @ Sec to Core
 - Total Harmonic Distortion: 0.5% MAX @ 300 Hz to 3.5 KHz, 0 dBm, DC0mA
- B. Marking; TTC-264, TAMURA, TM105, MICROTRAN, date code and country of origin
- C. Safety: CSA C22.2 No. 66-M1988 File No. LR81383
UL 1863 File No. E142035
- D. Schematic Diagram



E. Mechanical Specifications



SAFETY APPROVAL LOGOS



DATE CODE AND COUNTRY OF ORIGIN

DOT ON LABEL DESIGNATES PIN 1

MODEL NUMBER
TTC-264

PREPARED BY:

ENGINEER:

DWG CONTROL NO. REV
P-A1-10434 H
ACAD\TTC\A1104341.DWG

REV

H

TELECOMMUNICATION COUPLING
TRANSFORMER

QUALITY CONTROL:

CONTENTS OF THIS DRAWING ARE
SUBJECT TO CHANGE WITHOUT
PRIOR NOTICE

TAMURA CORPORATION OF AMERICA
43352 BUSINESS PARK DRIVE, TEMECULA, CA. 92590-6624
(909) 699-1270 FAX 9096769482

TTC-264

MODEL SPECIFICATION

DIM: mm(In) SCL: NONE Sh: 1 OF 1

APPROVED:

PROPRIETARY NOTICE: THIS DRAWING PRINT OR DOCUMENT AND SUBJECT MATTER DISCLOSED HEREIN ARE PROPRIETARY ITEMS TO WHICH TAMURA RETAINS THE EXCLUSIVE RIGHT OF DISSEMINATION, REPRODUCTION, MANUFACTURE AND SALE. THIS DRAWING, PRINT OR DOCUMENT IS SUBMITTED IN CONFIDENCE FOR CONSIDERATION BY THE RECIPIENT ALONE UNLESS PERMISSION FOR FURTHER DISCLOSURE IS EXPRESSLY GRANTED IN WRITING.