

REV. Status

REVISION - 09/28/00 MP

REVISION A REVISOR MARKING & TOLERANCE ON PINS 04/14/05 MP

REVISION B TUV REMOVED UPDATED SAFETY 04/13/10 MP

REVISION C REMOVED FCC 05/18/10 MP

TELECOMMUNICATION MODEM COUPLING TRANSFORMER FOR DC Bias ('WET') APPLICATION

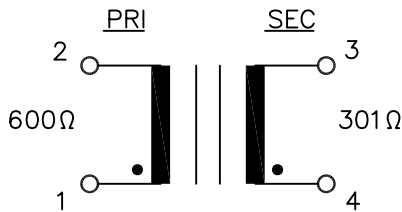
A. Electrical Specifications (@ 25°C)

1. Pri Source Impedance; 600Ω
2. Sec Load Impedance; 301Ω
3. Operating Level; -20dBm to +4dBm
4. Insertion Loss; 3.75dB MAX @ 1KHz, 0dBm, DC 65mA
5. Frequency Response (relative to 1 KHz) ±4.0dB @ 300Hz to 600Hz, 0dBm ±1.0dB @ 600Hz to 3.5KHz, 0dBm
6. Longitudinal Balance; 66dB MIN @ 60Hz to 1KHz 46dB MIN @ 1KHz to 4KHz
7. DC Resistance; (1-2)=152Ω ±15% (3-4)=152Ω ±15%
8. Turns Ratio; (1-2):(4-3) = 1:1.00±2%
9. Dielectric Strength; 1875Vrms 1 second Pri to Sec

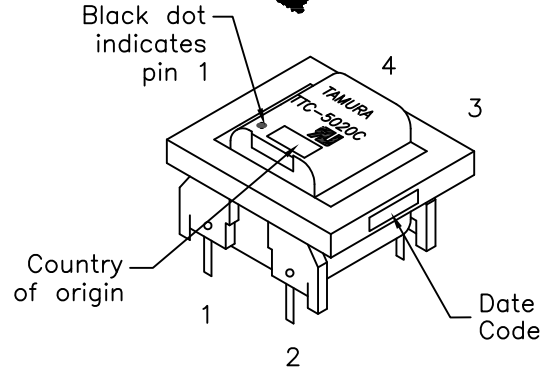
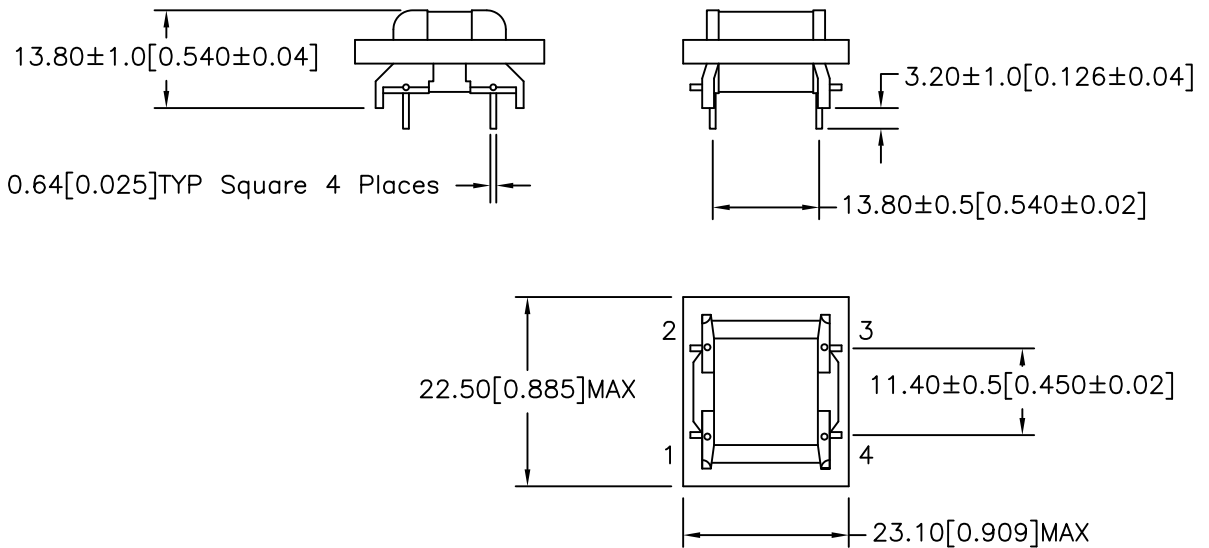
B. Marking; TTC-5020C, TAMURA, date code and country of origin "C" designates UL approved family classification

C. Safety: UL1950 3rd Edition, UL FILE E208555, CSA C22.2 No.950-95.

D. Schematic Diagram



E. Mechanical Specifications



MODEL NUMBER

TTC-5020

PREPARED BY:

C. POPPE

ENGINEER:

M. PITCHAI

SAFETY ENGINEER

B. OCONNELL

APPROVED:

P. BRUNE

DRAWING CONTROL NO. P-A1-12509	REV C	MODEL DESCRIPTION MODEM COUPLING TRANSFORMER	MODEL SPECIFICATION TTC-5020
CONTENTS OF THIS DRAWING ARE SUBJECT TO CHANGE WITHOUT PRIOR NOTICE		TAMURA CORPORATION OF AMERICA 1040 SOUTH ANDREASEN DRIVE, #100 ESCONDIDO, CA. 92029 (951) 699-1270 FAX 7607400536	DIM: mm[In] SCL: 1/1 SH: 1 OF 1
PROPRIETARY NOTICE: THIS DRAWING PRINT OR DOCUMENT AND SUBJECT MATTER DISCLOSED HEREIN ARE PROPRIETARY ITEMS TO WHICH TAMURA RETAINS THE EXCLUSIVE RIGHT OF DISSEMINATION, REPRODUCTION, MANUFACTURE AND SALE. THIS DRAWING, PRINT OR DOCUMENT IS SUBMITTED IN CONFIDENCE FOR CONSIDERATION BY THE RECIPIENT ALONE UNLESS PERMISSION FOR FURTHER DISCLOSURE IS EXPRESSLY GRANTED IN WRITING.			