

REV. Status
 REVISION -
 04/14/05 MP
 REVISION A
 ADDED REFLOW
 PROFILE & RoHS
 11/13/07 YS
 REVISION B
 REVISED TEMP
 RATING
 06/09/15 MP

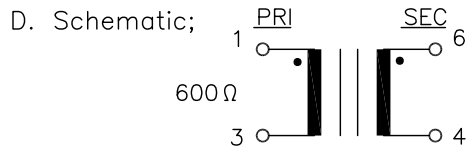
MINIATURE ENCAPSULATED TELECOMMUNICATION V.90 MODEM TRANSFORMER

A. Electrical Specifications (@ 25° C)

1. Primary Impedance; 600Ω
2. Secondary Impedance; 287Ω
3. Insertion Loss: 4.0dB MAX @ 2KHz, 0dBm
4. Frequency Response; ±0.20dB @ 200Hz to 4KHz, 0dBm
5. Longitudinal Balance; 80dB MIN @ 200Hz to 4KHz, 0dBm
6. Return Loss; 14dB MIN @ 200Hz to 4KHz, 0dBm
7. Primary Inductance; 7.0H MIN @ 200Hz, 0.78Vrms, Lp Measured (1-3)
8. Leakage Inductance; 10mH MAX @ 1KHz, 0.78Vrms Measured (1-3) with 6 & 4 shorted
9. DC Resistance; (1-3):175Ω ±15% (6-4):175Ω ±15%
10. Turns Ratio; (1-3):(6-4)=1:1.00 ±2%
11. Total Harmonic Distortion; -84dB MAX @ 600Hz, -10dBm (-90dB TYP)
12. Dielectric Strength; 1875Vrms 1 second @ Pri-Sec

B. Marking; TTC-5036H, TAMURA, date code and country of origin "H" designates Safety Approved family classification.

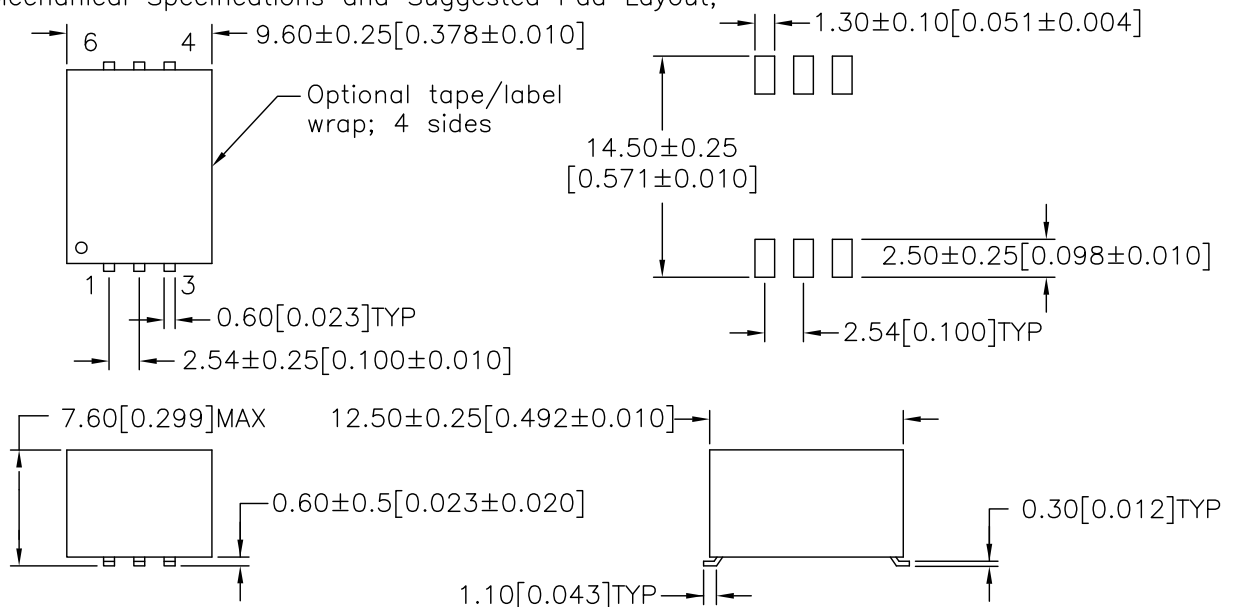
C. Safety; Certified to UL60950, EN60950



E. Operating Temperature: -20 to +85°C
 Storage Temperature: -20 to +85°C

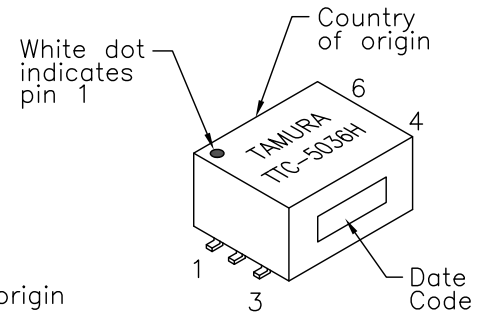
F. Suggested Reflow Profile (Terminal)
 Customer to determine proper profile based on actual conditions.

G. Mechanical Specifications and Suggested Pad Layout;

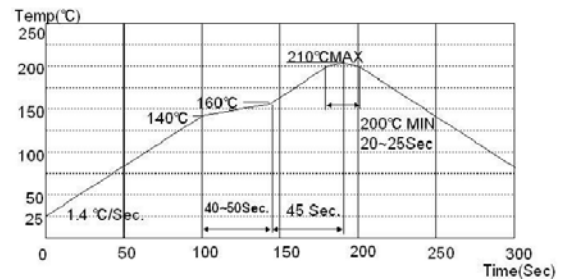


UL #E208555

MODEL NUMBER
TTC-5036



NOTE: Board washing is not recommended for these parts.



PREPARED BY:
 C. POPPE

ENGINEER: MATHI P.	DRAWING CONTROL NO. P-A1-13360	REV B	MODEL DESCRIPTION TELECOMMUNICATION V.90 MODEM TRANSFORMER	MODEL SPECIFICATION TTC-5036
SAFETY ENGINEER			DIM: mm[In] SCL: 2/1 SH: 1 OF 1	
APPROVED: M. PITCHAI			PROPRIETARY NOTICE: THIS DRAWING PRINT OR DOCUMENT AND SUBJECT MATTER DISCLOSED HEREIN ARE PROPRIETARY ITEMS TO WHICH TAMURA RETAINS THE EXCLUSIVE RIGHT OF DISSEMINATION, REPRODUCTION, MANUFACTURE AND SALE. THIS DRAWING, PRINT OR DOCUMENT IS SUBMITTED IN CONFIDENCE FOR CONSIDERATION BY THE RECIPIENT ALONE UNLESS PERMISSION FOR FURTHER DISCLOSURE IS EXPRESSLY GRANTED IN WRITING.	

CONTENTS OF THIS DRAWING ARE SUBJECT TO CHANGE WITHOUT PRIOR NOTICE
TAMURA CORPORATION OF AMERICA
 1040 SOUTH ANDREASEN DRIVE, #100 ESCONDIDO, CA. 92029
 (951) 699-1270 FAX 7607400536