

TY - 302P

Description:

The TY series transformers are used for a variety of applications including impedance matching, isolation, repeat coil, line balancing, bridging and hybrid circuit.

Electrical Specifications at 25° C:

Impedance (Ohms)		Max. DC Current (mA)	Typ. Insertion Loss (dB)	Typ. Return Loss (dB)	Trans-Hybrid Loss (dB)	DCR (Ohms)	
Pri	Sec					Pri	Sec
600 (4W)	600/600	0	.65	32	55	34	24/24

Designed to meet FCC Part 68

Longitudinal Balance: (FCC 68.310) – 60 dB min. 200 – 1000 Hz
45 dB min. 1000 – 4000 Hz

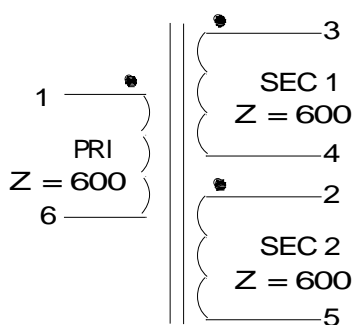
Dielectric Strength: (FCC 68.304) – 1500VAC

Power Level: -45 dBm to +7 dBm

Frequency Range: 300 to 3500 Hz

Operating Temperature: -20°C ~ 85°C

Electrical Schematic:



BOTH SECONDARIES MUST BE LOADED FOR IMPEDANCE SPECIFICATIONS TO BE ACCURATE.

RoHS Compliance: As of manufacturing date February 2016, all standard products meet the requirements of 2015/863/EU, known as the RoHS 3 initiative.

*Upon printing, this document is considered "uncontrolled". Please contact Triad Magnetics website for the most current version. For soldering and washing information please see <http://www.triadmagnetics.com/faq.html>

