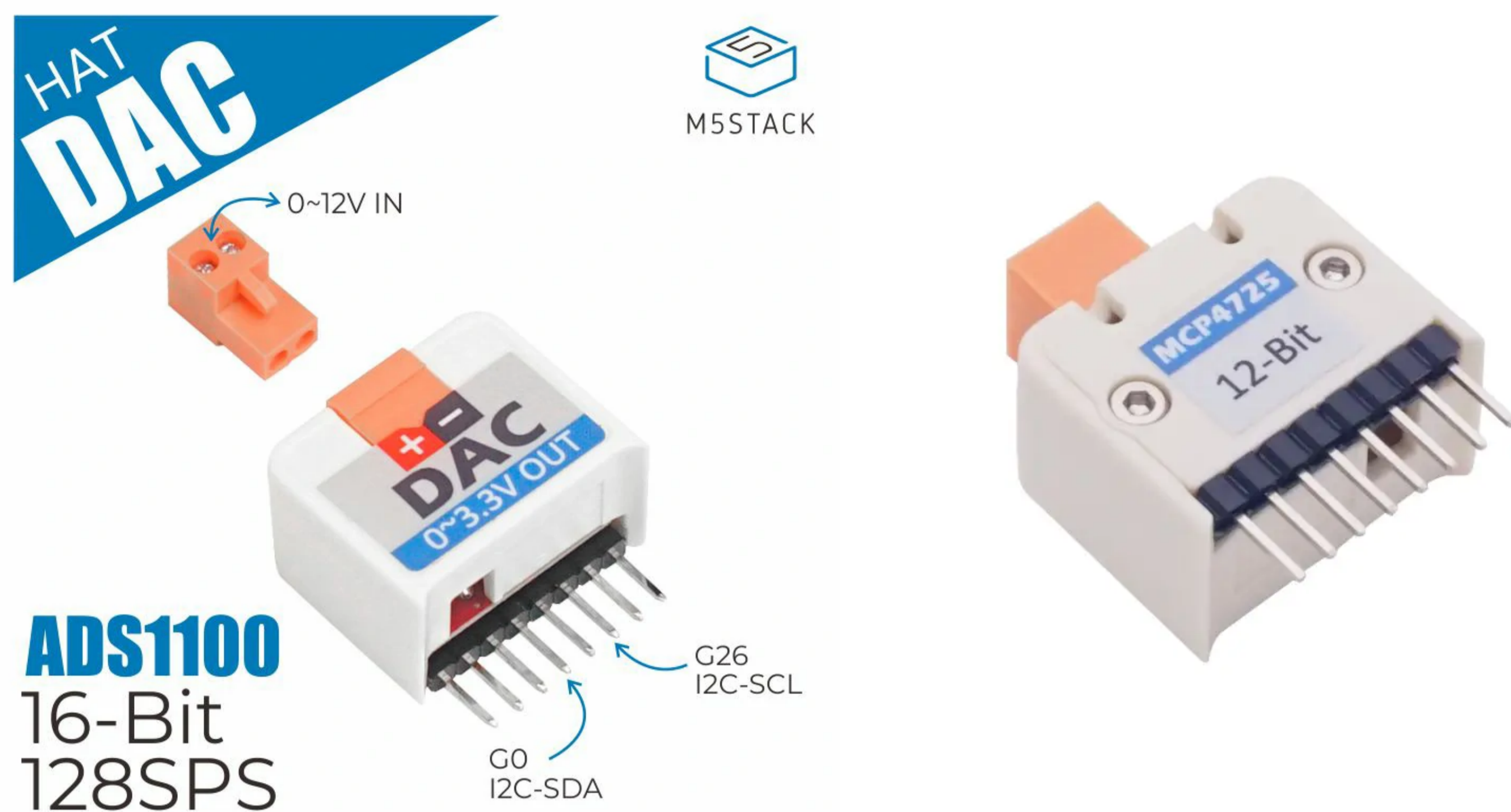


DAC HAT

SKU:U068



Description

DAC HAT is also a type of C-HAT specifically design for M5StickC controller. Same as DAC unit, this is a voltage output DAC converter for stickc. It can generate a voltage of 0 ~ 3.3V.

Packed with a DAC converter chip MCP4725, which is low-power, high accuracy, single-channel, 12-bit buffered voltage output Digital-to-Analog Converter (DAC) with a non-volatile memory (EEPROM). Its on-board precision output amplifier allows it to achieve rail-to-rail analog output swing.

The DAC input and configuration data can be programmed to the non-volatile memory (EEPROM) by the user using the I2C interface command.

I2C address: 0x60

Product Features

- Output: 0 ~ 3.3V
- Software Development Platform: Arduino, UIFlow(Blockly, Python)
- MCP4725
 - 12-BitResolution
 - External A0 Address Pin
 - NormalorPower-DownMode
 - Fast Settling Time of 6 μ s (typical)
 - ExternalVoltageReference(VDD)
 - Rail-to-RailOutput
 - LowPowerConsumption
 - Single-SupplyOperation:2.7V to 5.5V
 - I2C Interface: address 0x60
 - ExtendedTemperatureRange:-40°Cto+125°C

Include

- 1x DAC HAT
- 1x 2 Pin 3.96 Pitch Terminal

Applications

- SetPointorOffsetTrimming
- SensorCalibration
- Closed-LoopServoControl
- LowPowerPortableInstrumentation • PCPeripherals
- DataAcquisitionSystems

Specification

Resources	Parameter
Net weight	6g
Gross weight	19g
Product Size	24*25*13mm
Package Size	67*53*12mm

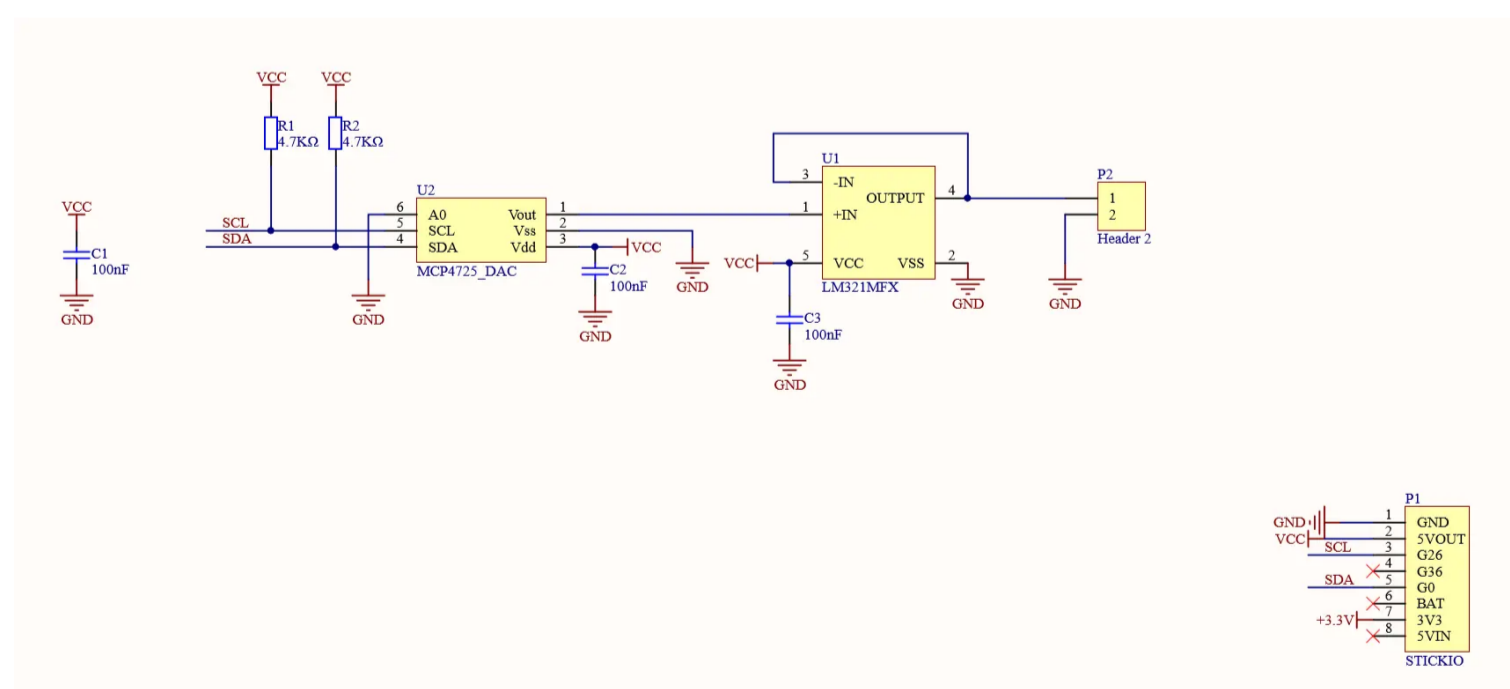
Related Link

- [Datasheet - MCP4725](#)

Pin Map

M5StickC	GPIO0	GPIO26	5V	GND
HAT ADC	SDA	SCL	5V	GND

Schematic



EasyLoader

