

# 4-Relay

SKU:U097



## Description

**4-Relay** unit is an integrated 4-way relay module which can be controlled by I2C protocol. The maximum control voltage of each relay is AC-250V/DC-28V, the rated current is 10A and the instantaneous current can hold up to 16A. Each relay can be controlled independently, each on it's own. Each relay has status (LED) indicator as well to show the state of the relay at any given time.

## Product Features

- 4-way relay
- AC-250V/DC-28V/10A
- LED status indication
- I2C communication (0x26)

## Include

- 1x 4-Relay Unit
- 1x Grove Cable(20cm)
- 4x VH-3.96-4P Plug terminal

## Applications

- Digital signal switching
- Programmable power switch

## Specification

Maximum input voltage

AC-250V/DC-28V

Rated current

10A

Maximum instantaneous currenta

16A

Communication

I2C(0x26)

Net Weight

40g

Gross Weight

84g

Product Size

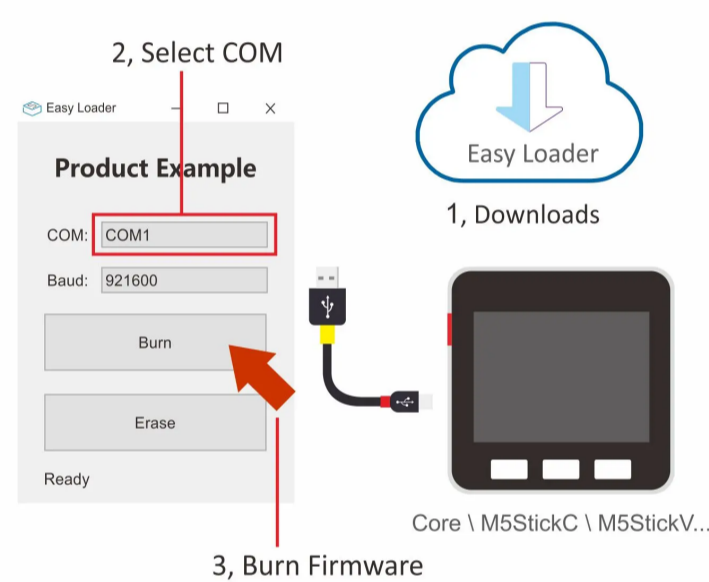
112\*23\*18mm

Package Size

125\*65\*22mm

## EasyLoader

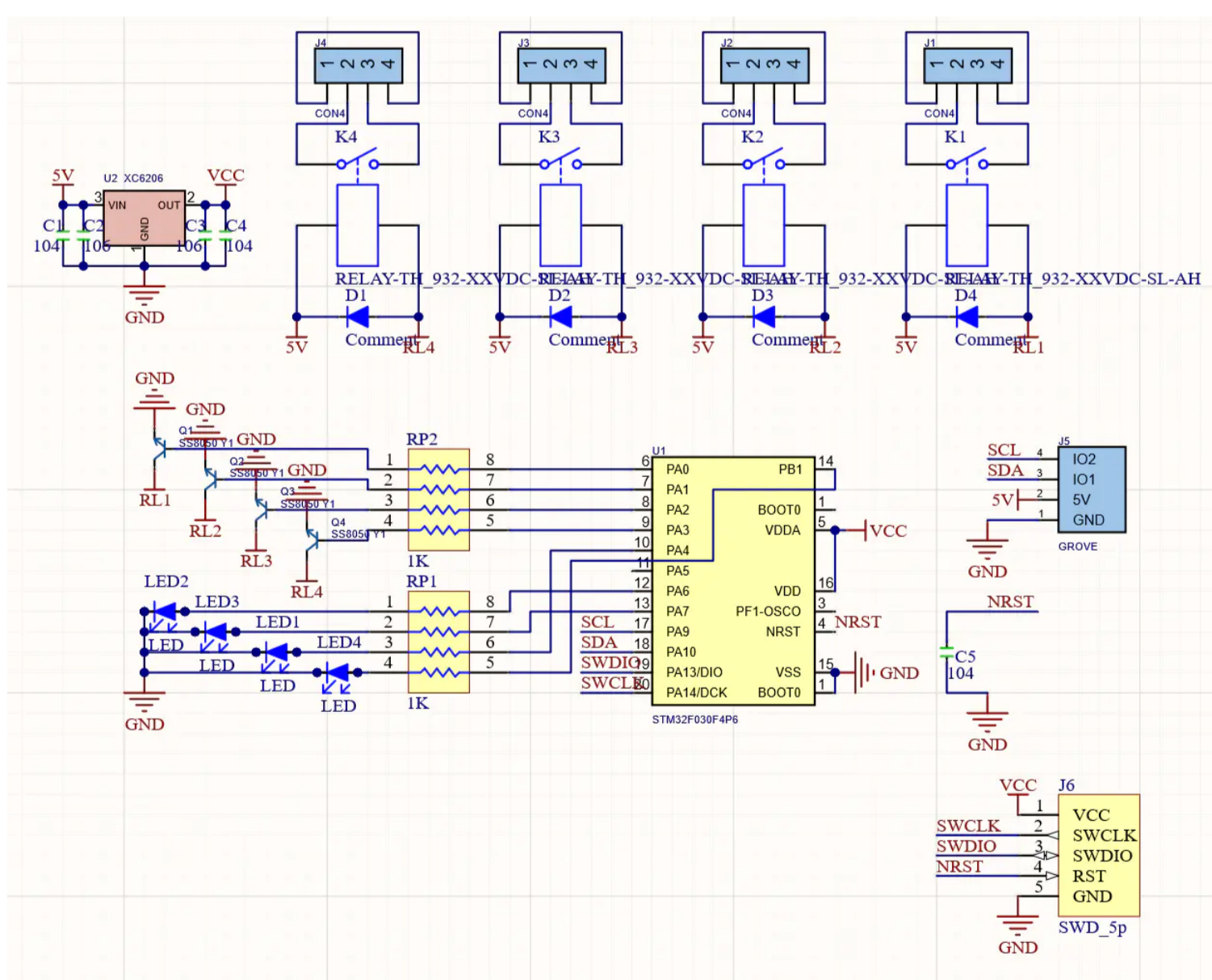
EasyLoader is a precise and fast program writer which has a built-in functionalities related to the 4-Relay unit. The Easyloader program can burn the firmware to the main controller board by simple easy to follow steps. Please install the corresponding driver according to the device type. [Please click here to view the CP210X driver installation tutorial](#), M5StickC/V/T/ATOM series can be used without driver)



Windows

MacOS

## Schematic



## PinMap

M5Core(GROVE A)

SDA(GPIO21)

SCL(GPIO22)

5V

GND

4-relay Unit

SDA

SCL

5V

GND

## Protocol