

AMPHENOL PART NUMBER CONFIGURATION:

U65 - X XX - X X 2 XXX

INFINITY RECEPTACLE

STYLE

B = R/A SMT, 2 LOCATION AND 2 SOLDERING POSTS

E = R/A SMT, 2 LOCATION AND 2 SCREW MOUNT HOLES

CONNECTOR TYPE

04 = 4X

12 = 12X

PLATING

1 = 50µ" GOLD

2 = 30µ" GOLD

3 = GOLD FLASH OVER PALLADIUM-NICKEL (LEAD FREE)

4 = 50µ" GOLD (RoHS COMPLIANT)

5 = 30µ" GOLD (RoHS COMPLIANT)

B = 50µ" GOLD (RoHS COMPLIANT)

C = 30µ" GOLD (RoHS COMPLIANT)

JACK SCREW OPTION

0 = SHIPPED LOOSE (REGULAR SCREW)

1 = SHIPPED LOOSE (SELF-LOCKING SCREW)

2 = NO JACK SCREW (ORDER SEPERATELY)

PACKAGING/SPECIAL

NO DIGIT = TRAY PACKAGING NO REAR COVER

C = TRAY PACKAGING WITH REAR COVER (SHIPPED LOOSE)

T = TAPE & REEL PACKAGING NO REAR COVER

CT = TAPE & REEL PACKAGING WITH REAR COVER (SHIPPED LOOSE)

M = TRAY PACKAGING WITH M2 RETENTION SCREWS (SHIPPED LOOSE) AND NO REAR COVER

CM = TRAY PACKAGING WITH M2 RETENTION SCREWS AND REAR COVER (SHIPPED LOOSE)

MT = TAPE & REEL PACKAGING WITH M2 RETENTION SCREWS (SHIPPED LOOSE) AND NO REAR COVER

CMT = TAPE & REEL PACKAGING WITH M2 RETENTION SCREWS AND REAR COVER (SHIPPED LOOSE)

KEYING OPTION

0 = NO KEYING (STD)

MOUNTING STYLE

SCREW LOCK

REVISIONS			
SYM	ZONE	ECN, ERN NO.	DATE
D		PROPOSAL	APR16/10
			Z.L.

THIS IS A CAD DRAWING. DO NOT MANUALLY REVISE.

1. MATERIAL:

PLASTIC HOUSING:

HIGH TEMPERATURE RESISTANT NYLON, FLAMMABILITY RATING UL94V-0.

CONTACTS:

PHOSPHOR BRONZE

PLATING OPTION 1 OR 2 (50µ" OR 30µ" GOLD): 50µ" [1.27 µm] OR 30µ" [0.76 µm] MIN. GOLD OVER 50µ" [1.27 µm] MIN. NICKEL ON CONTACT MATING SURFACES. 150µ" [3.81 µm] MIN. TIN-LEAD (90/10) OVER 50µ" [1.27 µm] NICKEL ON CONTACT TAILS.

PLATING OPTION 3 (GOLD FLASH OVER PALLADIUM-NICKEL): 2µ" [0.05 µm] MIN. GOLD OVER 25µ" [0.635 µm] MIN. PALLADIUM-NICKEL ON CONTACT MATING SURFACES. 0.3µ" [0.007 µm] MIN. GOLD OVER 1.2µ" [0.03 µm] MIN. PALLADIUM-NICKEL ON CONTACT TAILS. 50µ" [1.27 µm] MIN. NICKEL UNDER PLATING.

PLATING OPTION (RoHS) (50µ" OR 30µ" GOLD): 50µ" [1.27 µm] OR 30µ" [0.76 µm] MIN. GOLD OVER 50µ" [1.27 µm] MIN. NICKEL ON CONTACT MATING SURFACES. 2µ" [0.05 µm] MIN. GOLD OVER 50µ" [1.27 µm] MIN. NICKEL ON CONTACT TAILS.

PLATING OPTION B OR C (RoHS) (50µ" OR 30µ" GOLD): 50µ" [1.27 µm] OR 30µ" [0.76 µm] MIN. GOLD OVER 50µ" [1.27 µm] MIN. NICKEL ON CONTACT MATING SURFACES. 100-150µ" [2.54-3.81 µm] MATTE TIN OVER 50µ" [1.27 µm] MIN. NICKEL ON CONTACT TAILS.

METAL SHELL: DIE CASTING ALLOY

PLATING: 100µ" [2.54 µm] MIN. NICKEL OVER COPPER UNDER LAYER

GASKET: STAINLESS STEEL

JACK SCREW: STEEL

PLATING: 100µ" [2.54 µm] MIN. NICKEL OVER ALL

RECOMMENDED TORQUE: 4-4.5 IN LB.

RETENTION SCREWS: STEEL WITH ZINC PLATING

2. TEMPERATURE RANGE:

-40°C TO +85°C

THIS DOCUMENT CONTAINS PROPRIETARY INFORMATION AND SUCH INFORMATION MAY NOT BE DISCLOSED TO OTHERS FOR ANY PURPOSE OR USED FOR MANUFACTURING PURPOSES WITHOUT WRITTEN PERMISSION FROM AMPHENOL CANADA CORP.

DRAWN	L.DENG	DATE	2005/01/24
DESIGNED			
CHECKED	J.SI	DATE	2005/01/26
I. E. APPRD.			
Q. A. APPRD.			
DWG. APPRD.			
ENG. REL. NO.			
REF.	EAR # 12636		
DIMENSIONS ARE IN	CODE ID. NO.		
INCHES [mm]	03554		

Amphenol Canada Corp.

TITLE

INFINITY 4X/12X RECEPTACLE, SCREW LOCK STYLE, FIXED BOARD, RIGHT ANGLE SMT

DWG

DRAWING NO.

P-U65-XXX-XX2XXX

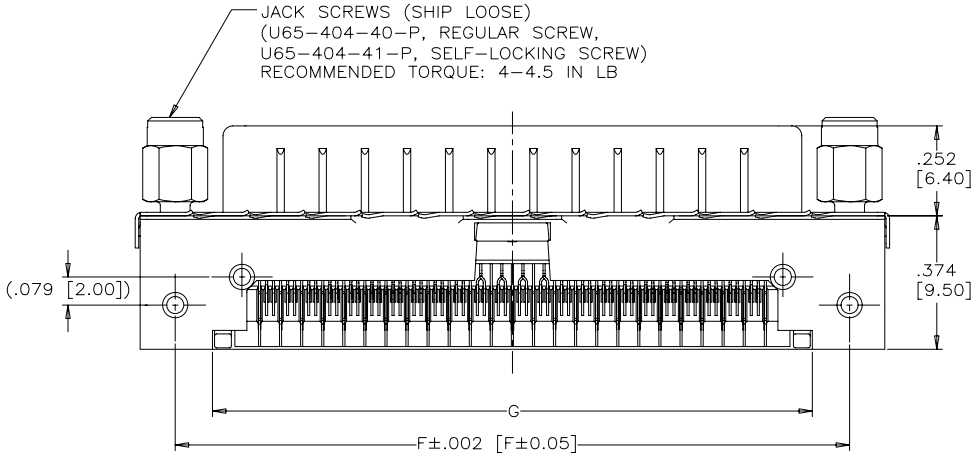
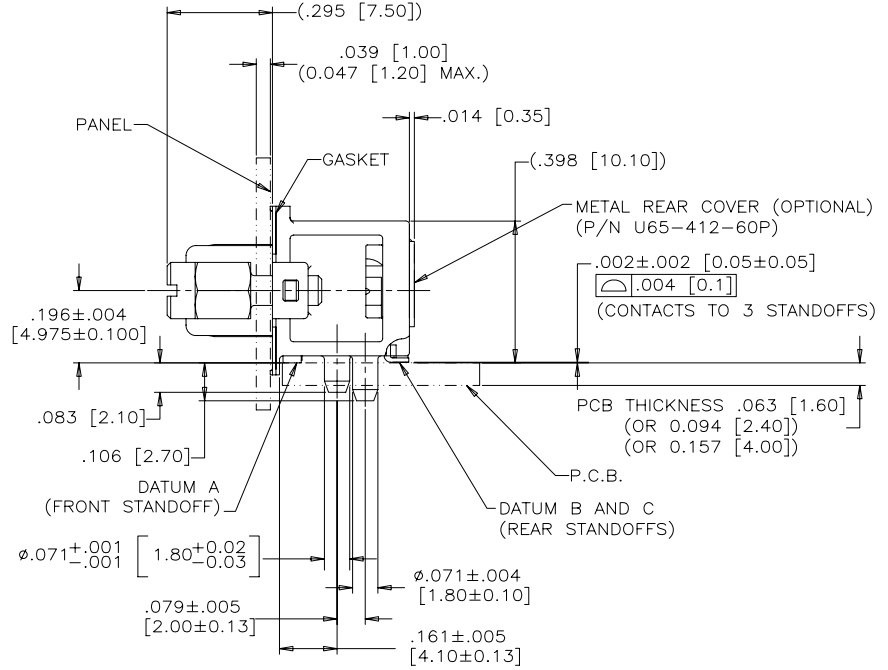
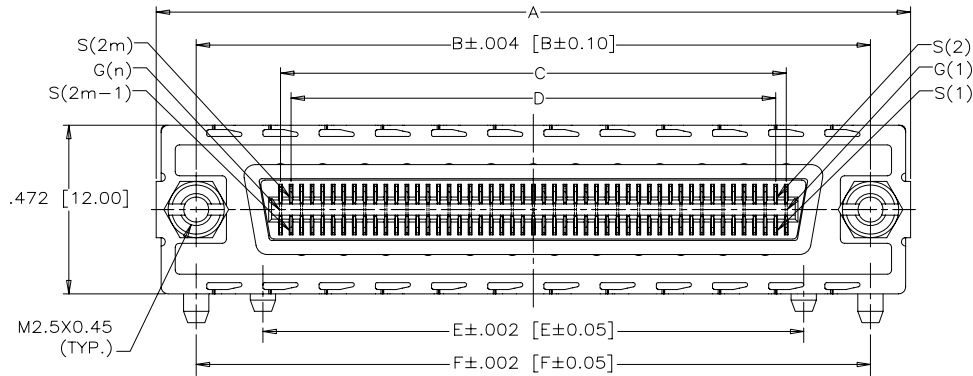
REV.

D

SCALE 2/1 WT. ----- SURF. ----- SHEET 1 OF 4

REVISIONS				
SYM	ZONE	ECN, ERN NO.	DATE	APPRD.
D		PROPOSAL	APR16/10	Z.L.

THIS IS A CAD DRAWING. DO NOT MANUALLY REVISE.



PART NUMBER	U65-X04-XX2XXX	U65-X12-XX2XXX
A	1.169 [29.70]	2.114 [53.70]
B	.945 [24.00]	1.890 [48.00]
C	.472 [12.00]	1.417 [36.00]
D	.413 [10.50]	1.358 [34.50]
E	.571 [14.50]	1.516 [38.50]
F	.945 [24.00]	1.890 [48.00]
G	.736 [18.70]	1.681 [42.70]
H	1.063 [27.00]	2.008 [51.00]
K	.776 [19.70]	1.720 [43.70]
m	m = 1 - 8	m = 1 - 24
n	n = 1 - 9	n = 1 - 25

\*\* REFER TO [mm] AS PRIMARY DIMENSIONS.

THIS DOCUMENT CONTAINS PROPRIETARY INFORMATION AND SUCH INFORMATION MAY NOT BE DISCLOSED TO OTHERS FOR ANY PURPOSE OR USED FOR MANUFACTURING PURPOSES WITHOUT WRITTEN PERMISSION FROM AMPHENOL CANADA CORP.

DRAWN	L.DENG	DATE	2005/01/24
DESIGNED			
CHECKED	J.SI	DATE	2005/01/26
I. E. APPRD.			
Q. A. APPRD.			
DWG. APPRD.			
ENG. REL. NO.			
REF.	EAR # 12636		
DIMENSIONS ARE IN	INCHES [mm]	CODE ID. NO.	03554

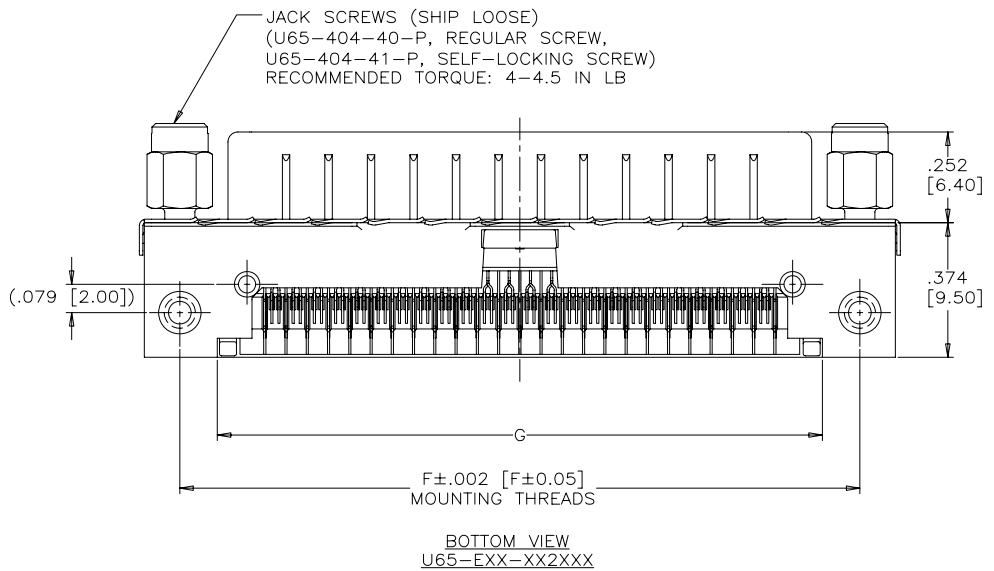
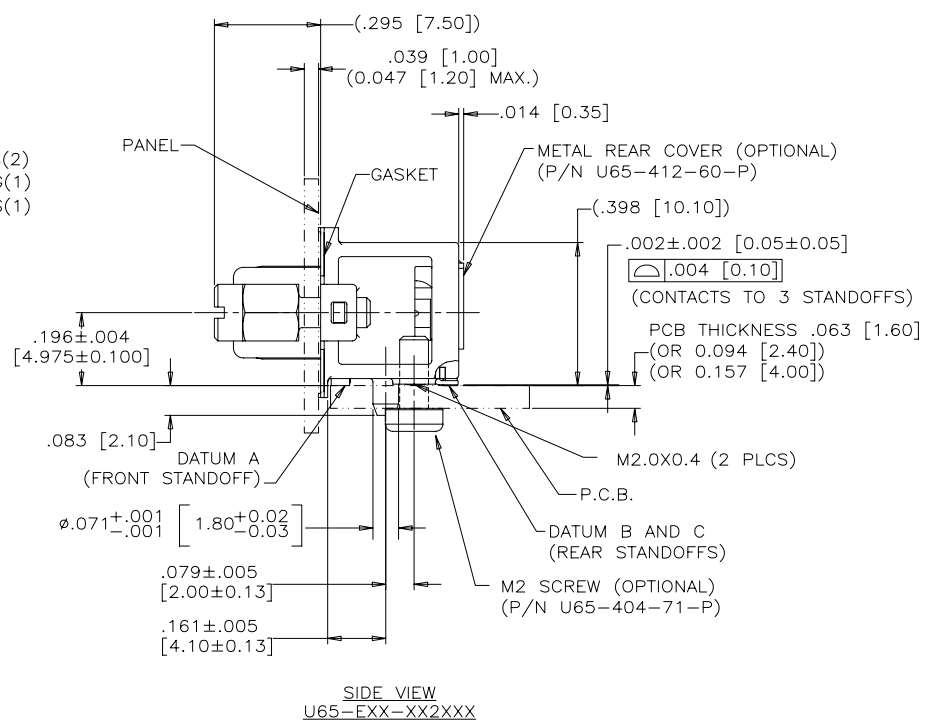
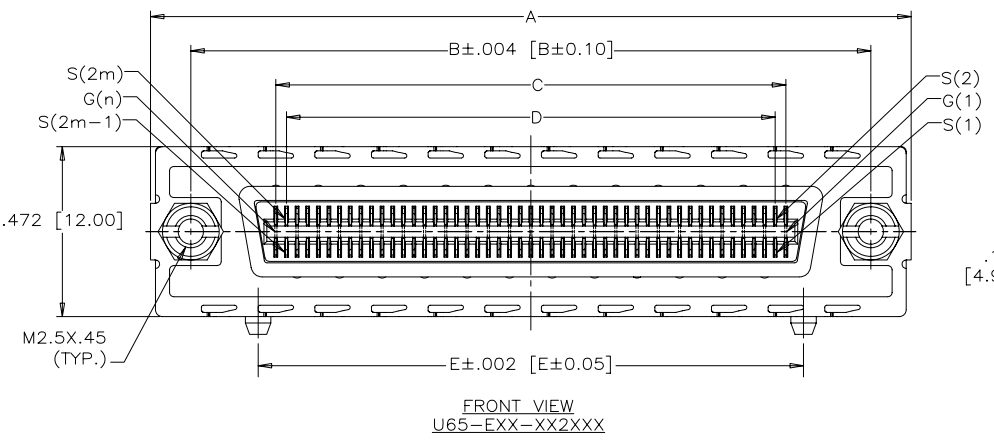
Amphenol Canada Corp.

TITLE  
INFINITY 4X/12X RECEPTACLE, SCREW LOCK STYLE, FIXED BOARD, RIGHT ANGLE SMT

DWG. NO.	A	DRAWING NO.	P-U65-XXX-XX2XXX	REV.	D
SCALE	2/1	WT.	-----	SURF.	-----
			SHEET	2 OF 4	

REVISIONS				
SYM	ZONE	ECN, ERN NO.	DATE	APPRD.
D		PROPOSAL	APR16/10	Z.L.

THIS IS A CAD DRAWING. DO NOT MANUALLY REVISE.



\*\* REFER TO [mm] AS PRIMARY DIMENSIONS.

DRAWN	L.DENG	DATE	2005/01/24
DESIGNED			
CHECKED	J.SI	DATE	2005/01/26
I. E. APPRD.			
Q. A. APPRD.			
DWG. APPRD.			
ENG. REL. NO.			
REF.	EAR # 12636		
DIMENSIONS ARE IN	INCHES [mm]	CODE ID. NO.	03554

Amphenol Canada Corp.			
TITLE INFINITY 4X/12X RECEPTACLE, SCREW LOCK STYLE, FIXED BOARD, RIGHT ANGLE SMT			
DWG	DRAWING NO.	REV.	
A	P-U65-XXX-XX2XXX	D	
SCALE	2/1	WT.	SURF.
		SHEET 3 OF 4	

THIS DOCUMENT CONTAINS PROPRIETARY INFORMATION AND SUCH INFORMATION MAY NOT BE DISCLOSED TO OTHERS FOR ANY PURPOSE OR USED FOR MANUFACTURING PURPOSES WITHOUT WRITTEN PERMISSION FROM AMPHENOL CANADA CORP.